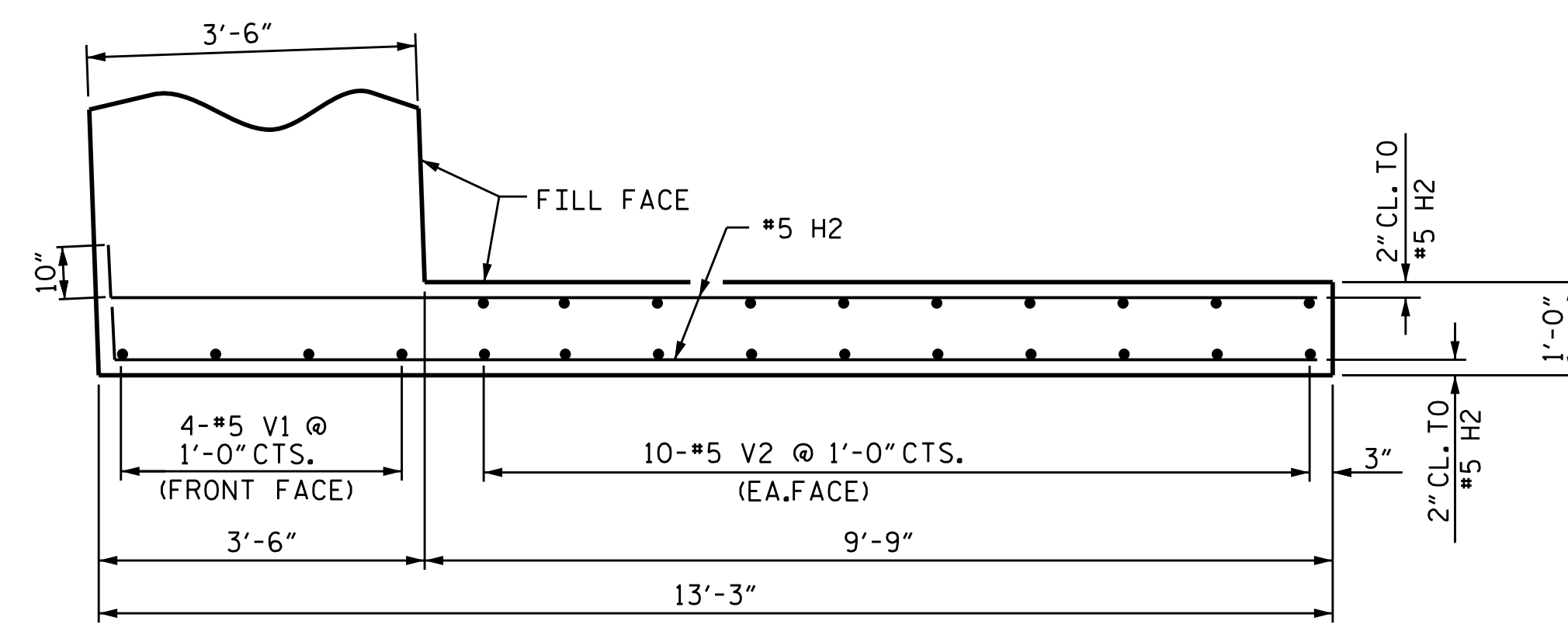
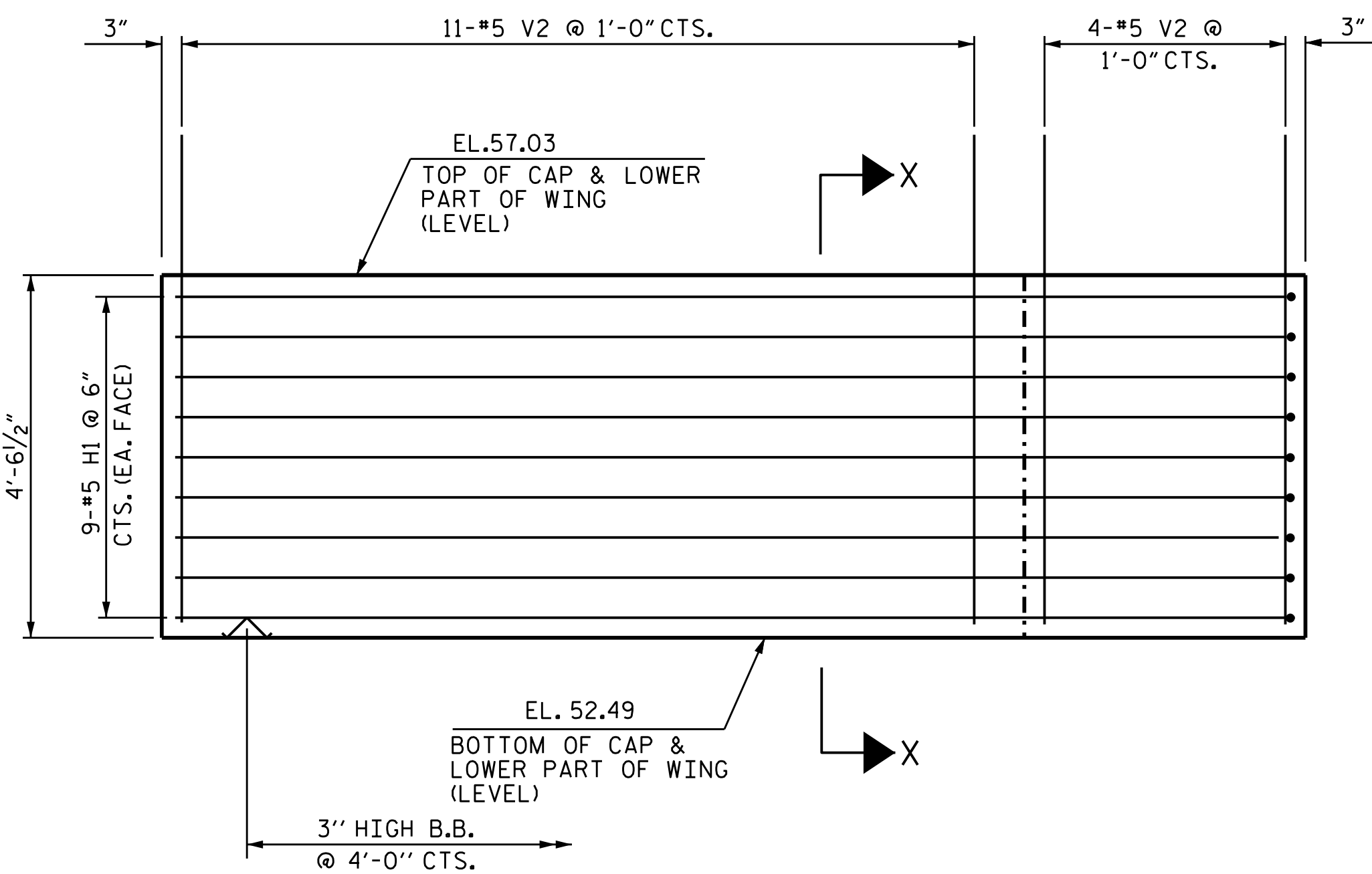


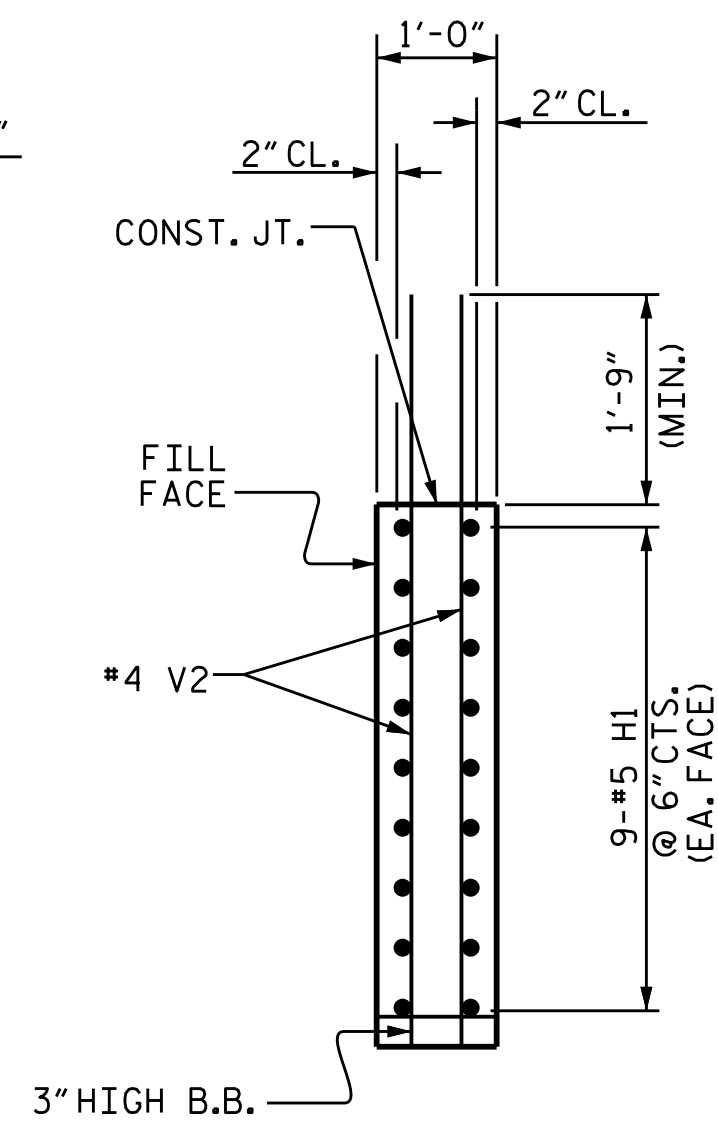
PLAN OF WING (W3)



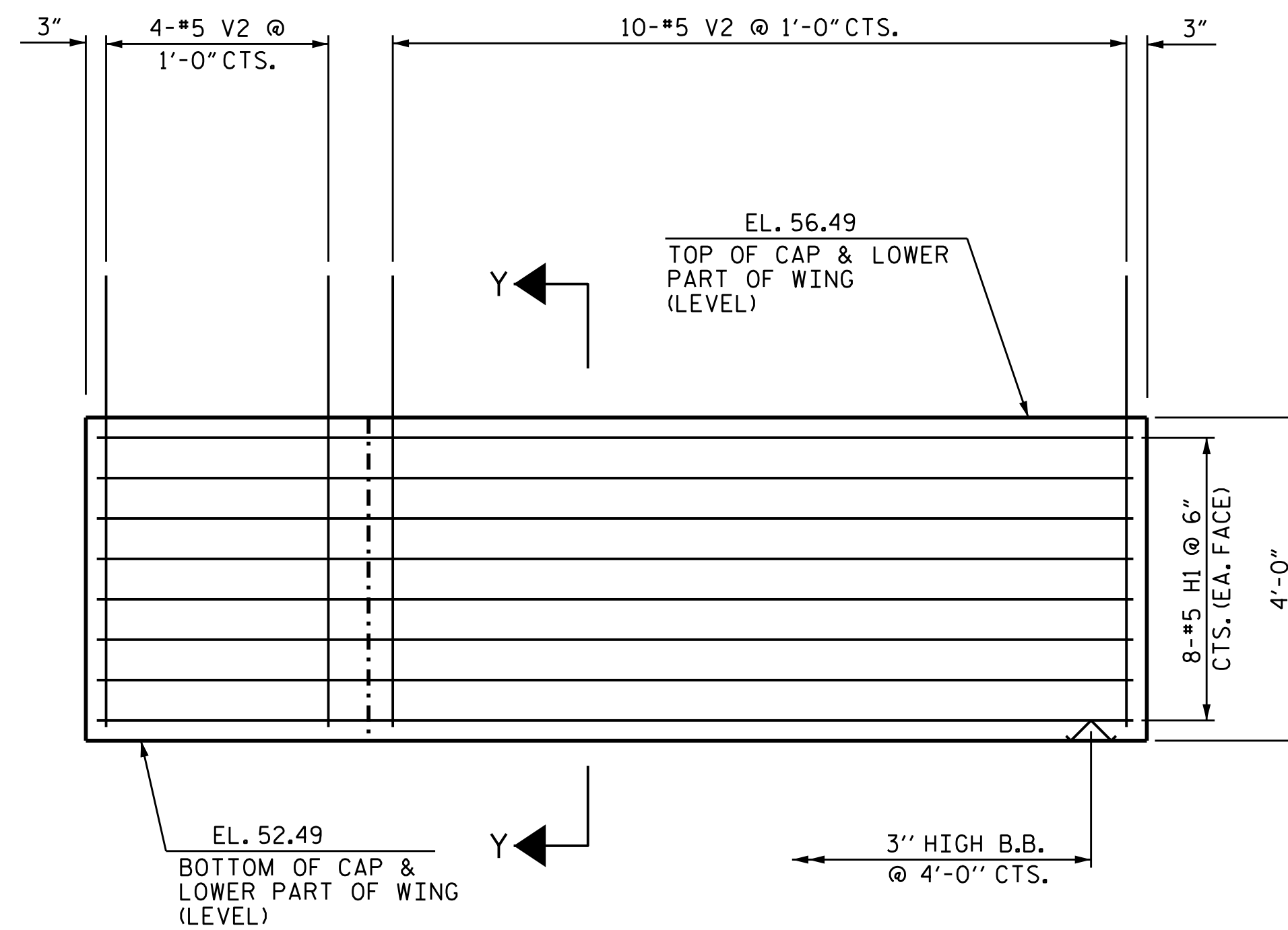
PLAN OF WING (W4)



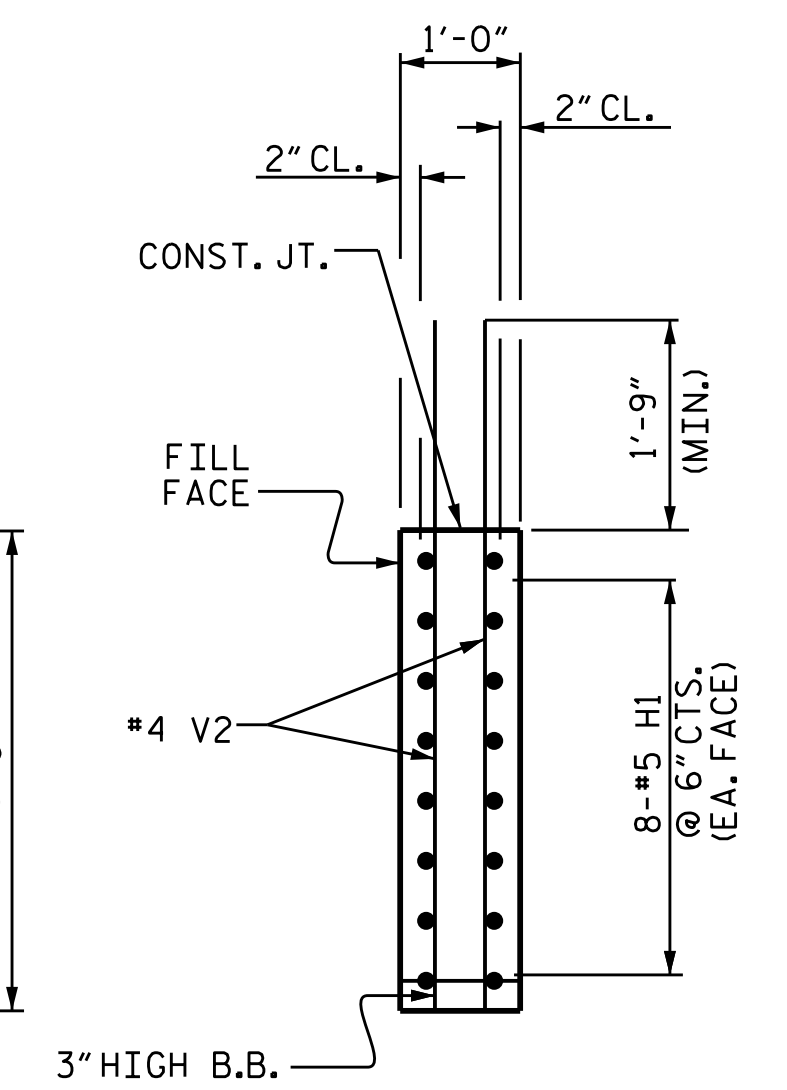
ELEVATION OF WING (W3)



SECTION X-X



ELEVATION OF WING (W4)

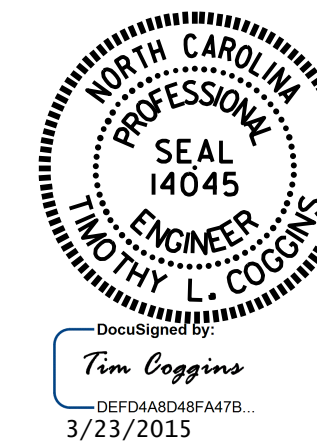


SECTION Y-Y

PROJECT NO. R-2514D  
 JONES & CRAVEN COUNTY  
 STATION: 28+29.35 -Y10-

SHEET 2 OF 3

STATE OF NORTH CAROLINA  
 DEPARTMENT OF TRANSPORTATION  
 RALEIGH  
 SUBSTRUCTURE  
 INTEGRAL END BENT #2  
 (RIGHT LANE)



DRAWN BY: GHOLAMREZA KOUCHEKI DATE: 6/24/14  
 CHECKED BY: K.P.SEDAI DATE: 6/25/14  
 DESIGN ENGINEER OF RECORD: GHOLAMREZA KOUCHEKI DATE: 02/2015

REVISIONS						SHEET NO. S16-026
NO.	BY:	DATE:	NO.	BY:	DATE:	
1			3			TOTAL SHEETS 30
2			4			