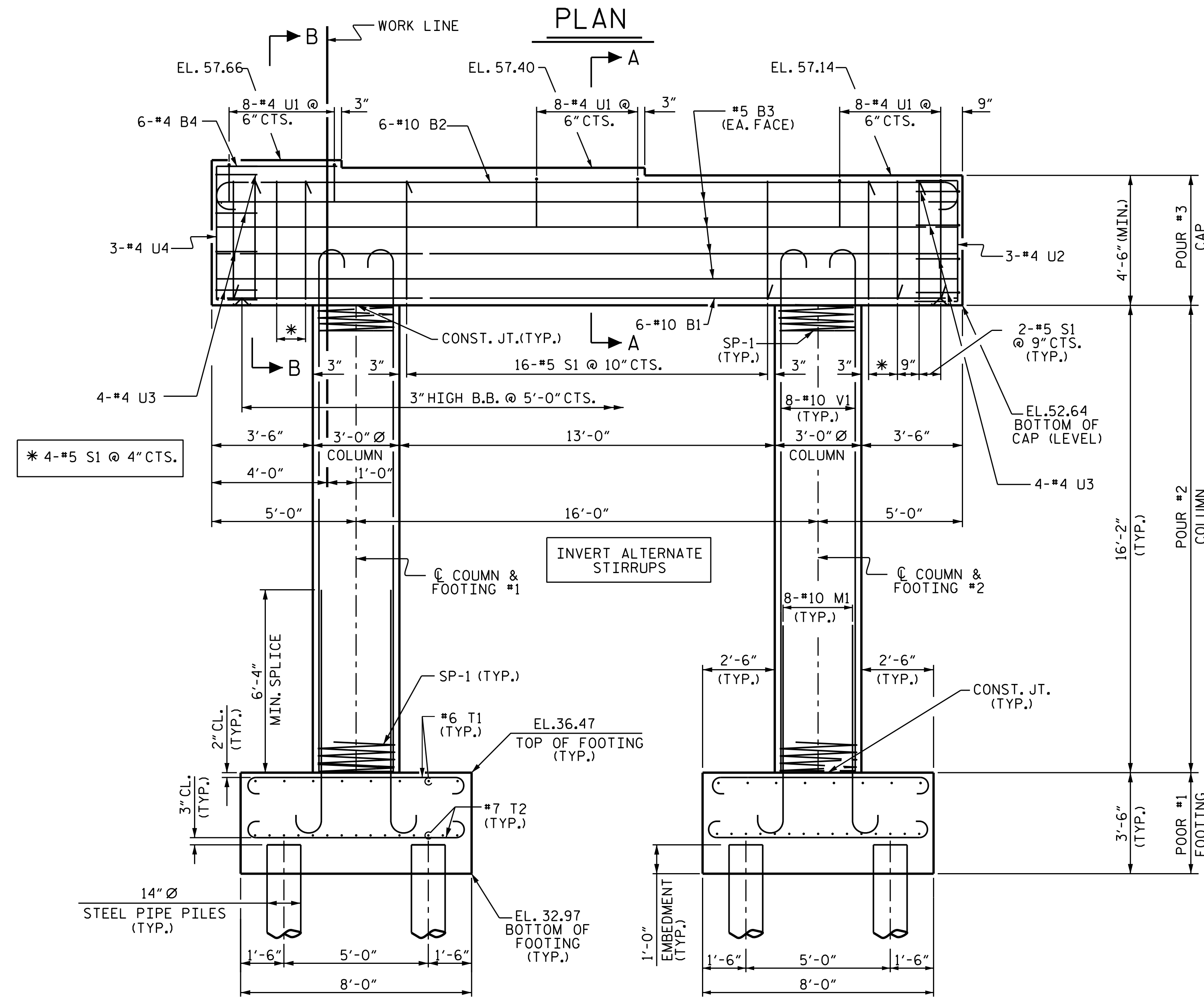


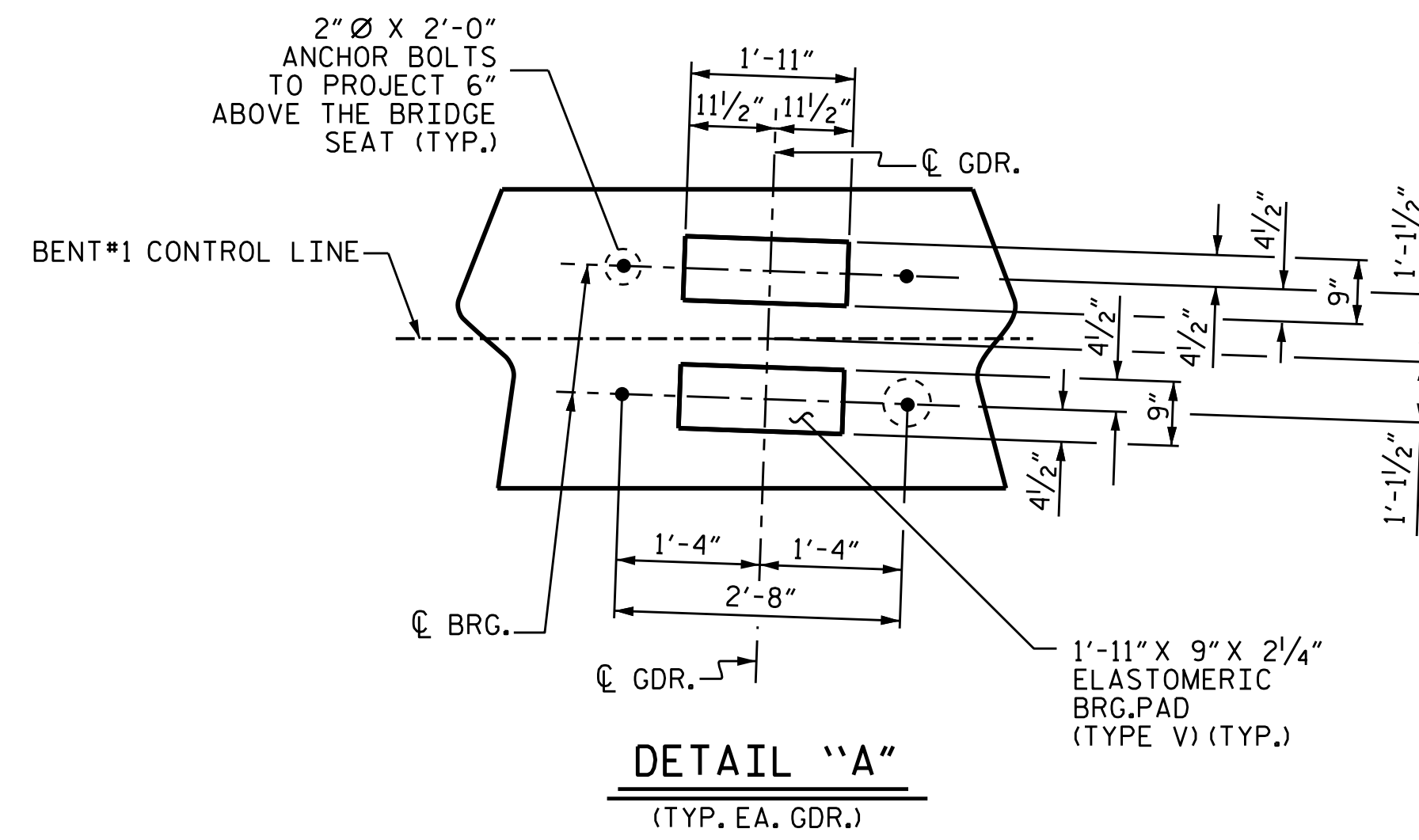
SPAN 'B'

SPAN 'A'

PLAN



ELEVATION

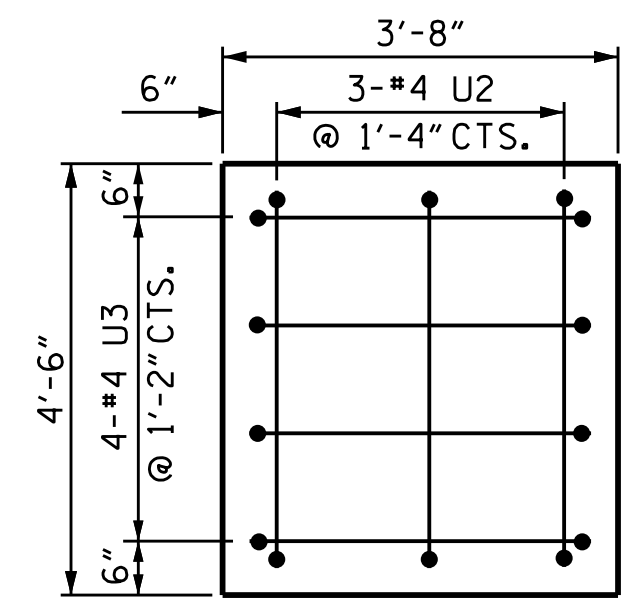


DETAIL 'A'

(TYP. EA. GDR.)

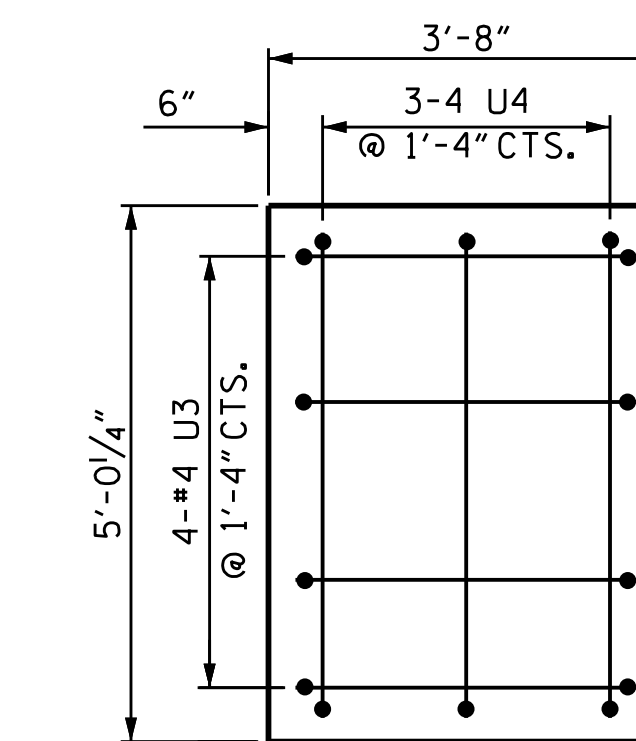
NOTES

STIRRUPS IN CAP MAY BE SHIFTED AS NECESSARY TO CLEAR ANCHOR BOLTS.
HOOKS ON "V" BARS MAY BE TURNED AS NECESSARY FOR PLACING REINFORCING STEEL.



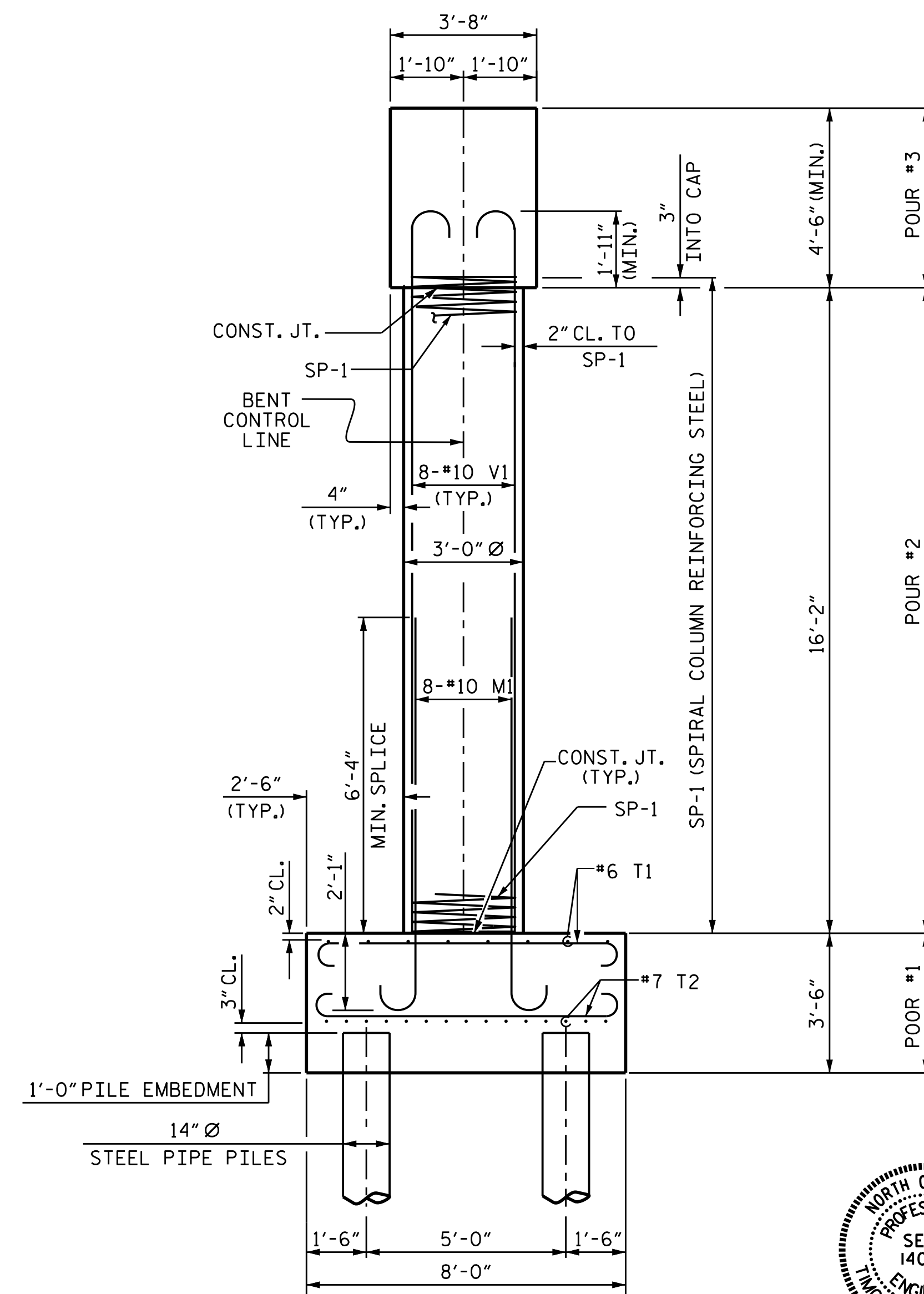
END VIEW

(RIGHT SIDE)



END VIEW

(LEFT SIDE)



END ELEVATION

PROJECT NO. R-2514D
JONES-CRAVEN COUNTY
STATION: 28+29.35 -Y10-

SHEET 1 OF 2

STATE OF NORTH CAROLINA
DEPARTMENT OF TRANSPORTATION
RALEIGH

SUBSTRUCTURE
BENT #1
(RIGHT LANE)



Tim Coggins
3/23/2015

REVISIONS						SHEET NO.	
NO.	BY:	DATE:	NO.	BY:	DATE:	S16-023	
1			3			TOTAL SHEETS	30
2			4				

DRAWN BY: GHOLAMREZA KOUCHEKI DATE: 6/11/14
CHECKED BY: K.P.SEDAİ DATE: 6/11/14
DESIGN ENGINEER OF RECORD: GHOLAMREZA KOUCHEKI DATE: 02/2015