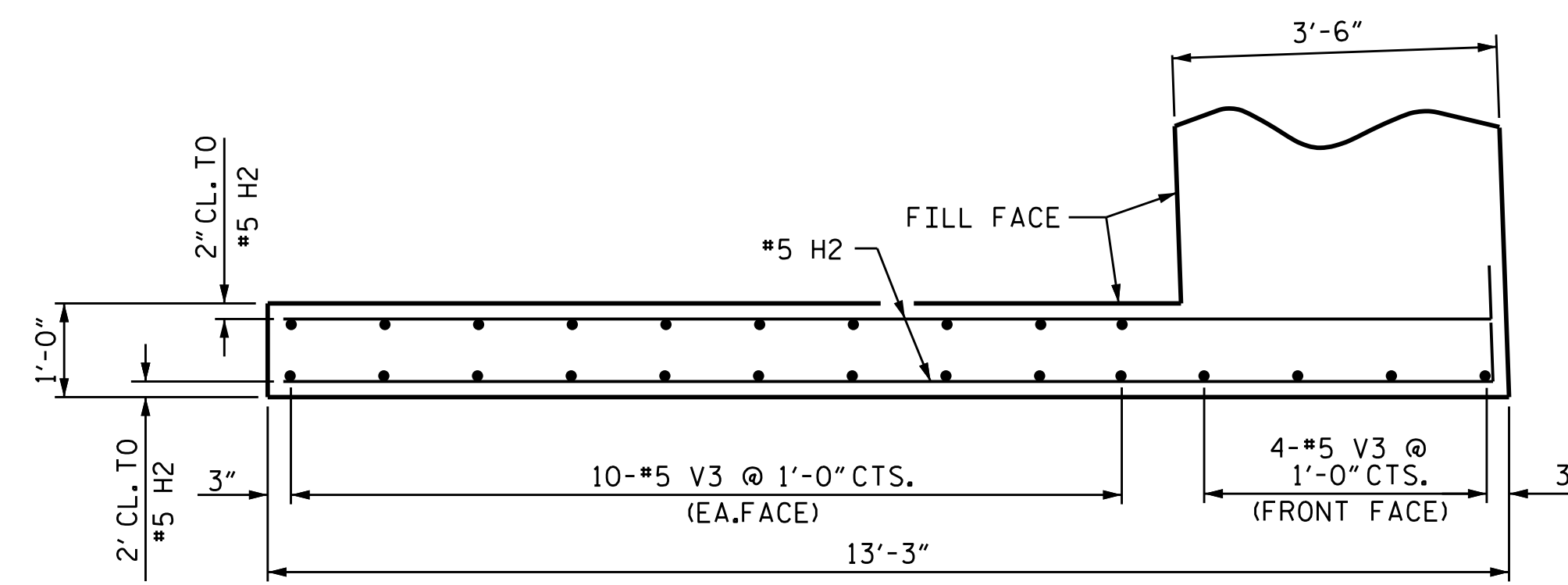
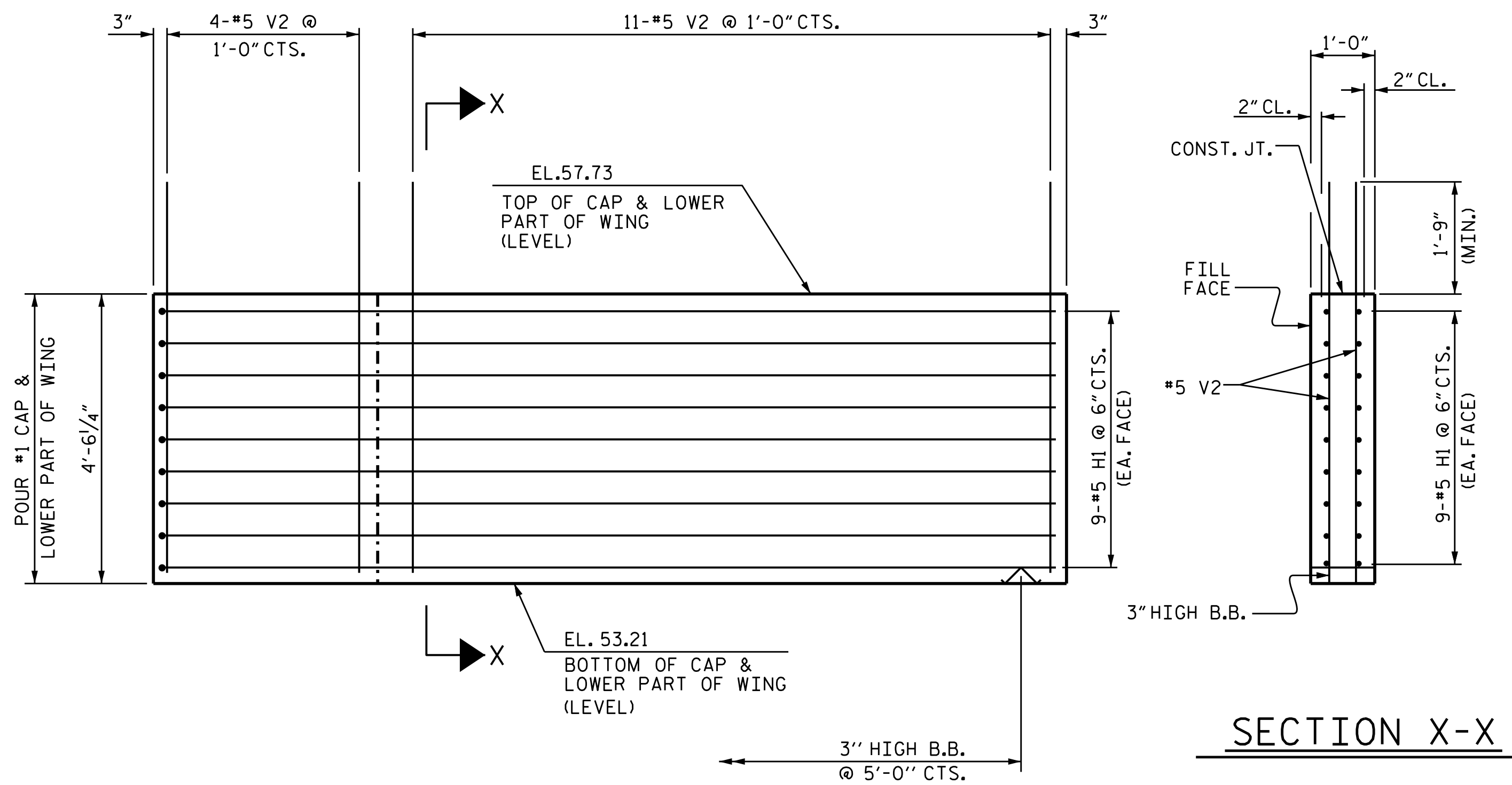


PLAN OF WING W1

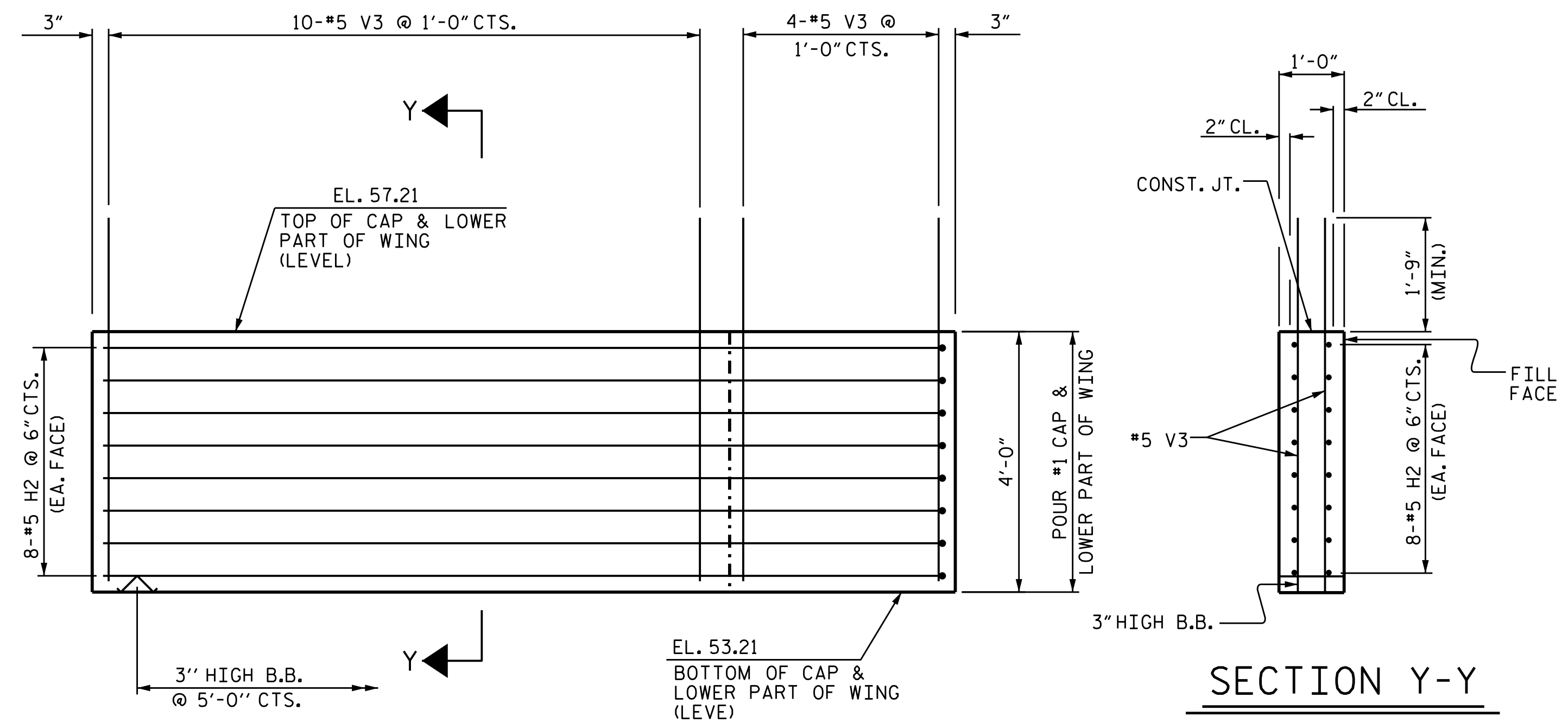


PLAN OF WING W2



ELEVATION OF WING W1

SECTION X-X



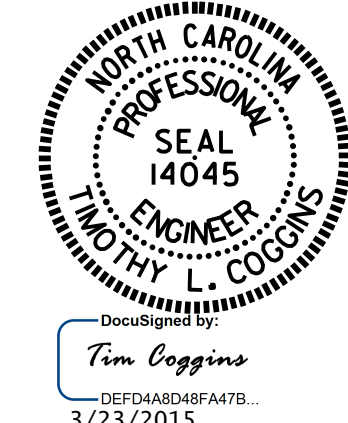
ELEVATION OF WING W2

SECTION Y-Y

PROJECT NO. R-2514D
 JONES-CRAVEN COUNTY
 STATION: 28+29.35 -Y10-

SHEET 2 OF 3

STATE OF NORTH CAROLINA
 DEPARTMENT OF TRANSPORTATION
 RALEIGH
 SUBSTRUCTURE
 INTEGRAL END BENT 1
 (RIGHT LANE)



DRAWN BY: GHOLAMREZA KOUCHEKI DATE: 6/23/14
 CHECKED BY: K.P.SEDAI DATE: 6/24/14
 DESIGN ENGINEER OF RECORD: GHOLAMREZA KOUCHEKI DATE: 02/2015

REVISIONS						SHEET NO.	
NO.	BY:	DATE:	NO.	BY:	DATE:	S16-021	
1			3			TOTAL	30
2			4			SHEETS	