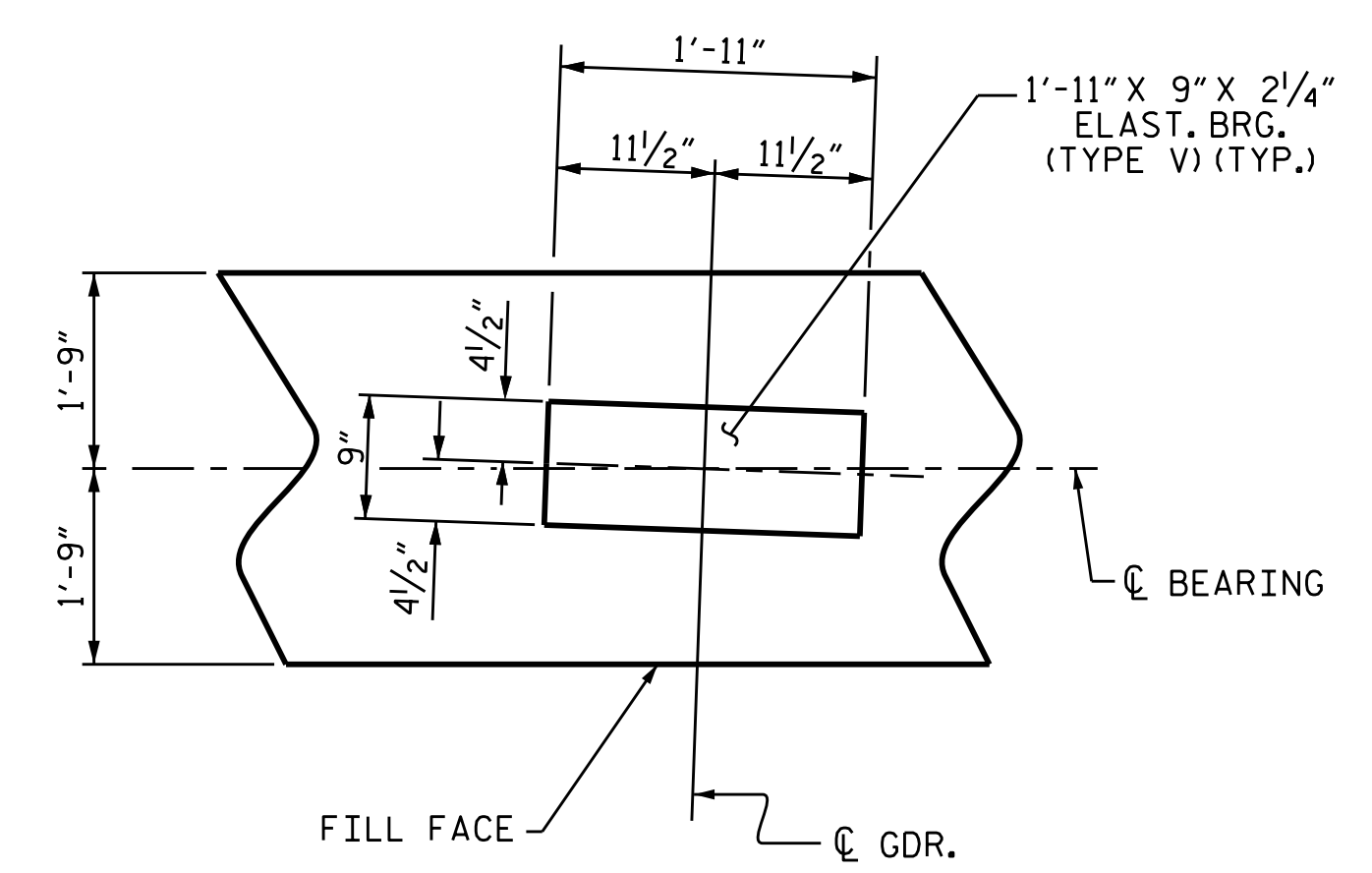


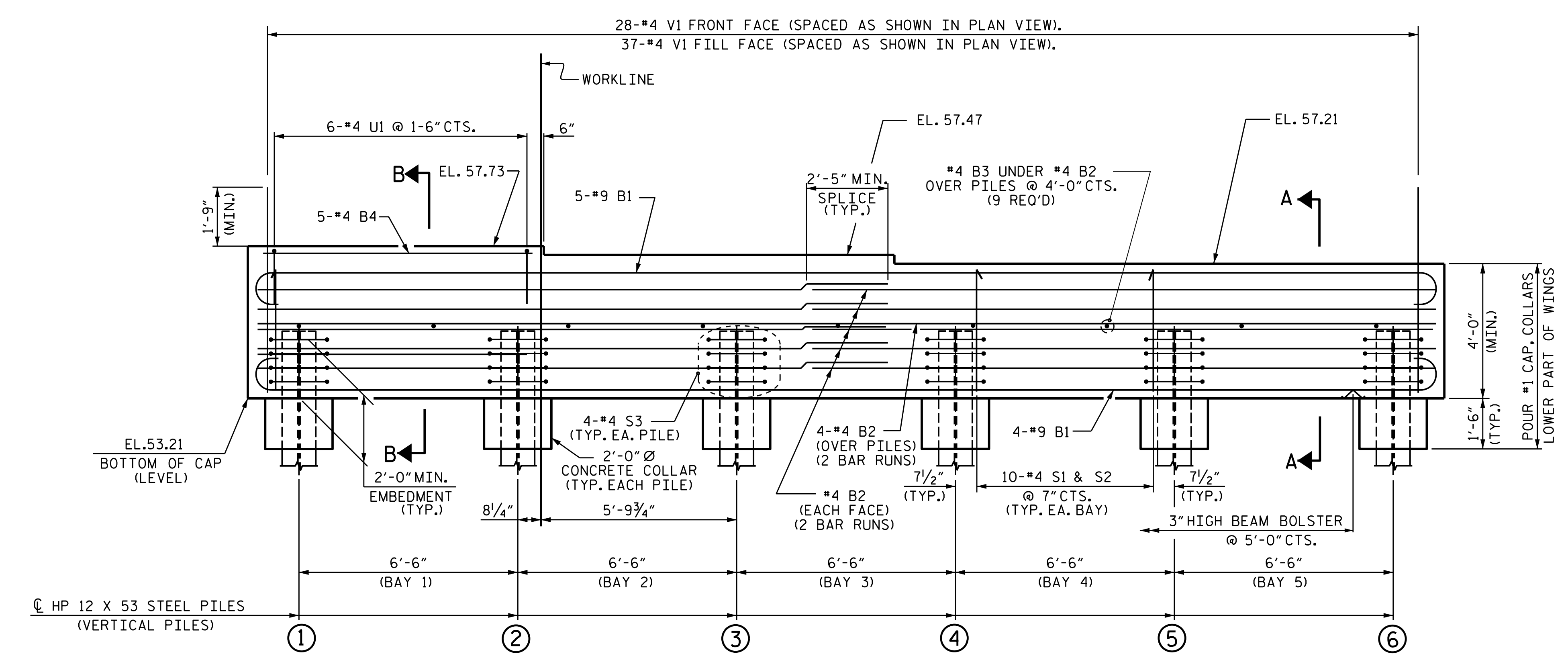
PLAN

NOTES

- STIRRUPS IN CAP MAY BE SHIFTED AS NECESSARY TO CLEAR #4 V1.
- INSTALL THE 4" DIA. DRAIN PIPE THROUGH THE WING WALL AS REQUIRED FOR REINFORCED BRIDGE APPROACH FILLS, SEE THE ROADWAY PLANS. REINFORCING STEEL IN THE WING WALL MAY BE SHIFTED AS NECESSARY TO CLEAR THE DRAIN PIPE.
- SEE SUPERSTRUCTURE SHEETS FOR UPPER PART OF INTEGRAL END BENT DETAIL.
- THE CONTRACTOR'S ATTENTION IS CALLED TO THE FACT THAT UPPER PART OF WINGS ARE TO BE POURED WITH THE SUPERSTRUCTURE.
- THE TOP SURFACE OF POUR #1 OF THE END BENT CAP AND WINGS, EXCLUDING THE OUTSIDE 4" AND THE BEARING AREA, SHALL BE RAKED TO A DEPTH OF 1/4".



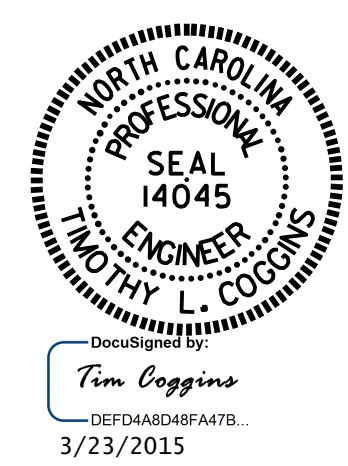
DETAIL "A"
(TYP. EA. GDR.)



ELEVATION

PROJECT NO. R-2514D
 JONES-CRAVEN COUNTY
 STATION: 28+29.35 -Y10-

SHEET 1 OF 3



STATE OF NORTH CAROLINA
 DEPARTMENT OF TRANSPORTATION
 RALEIGH
 SUBSTRUCTURE
 INTEGRAL END BENT 1
 (RIGHT LANE)

REVISIONS						SHEET NO. S16-020
NO.	BY:	DATE:	NO.	BY:	DATE:	
1			3			TOTAL SHEETS 30
2			4			

DRAWN BY: GHOLAMREZA KOUCHEKI DATE: 6/23/14
 CHECKED BY: K.P.SEDAI DATE: 6/24/14
 DESIGN ENGINEER OF RECORD: GHOLAMREZA KOUCHEKI DATE: 02/2015