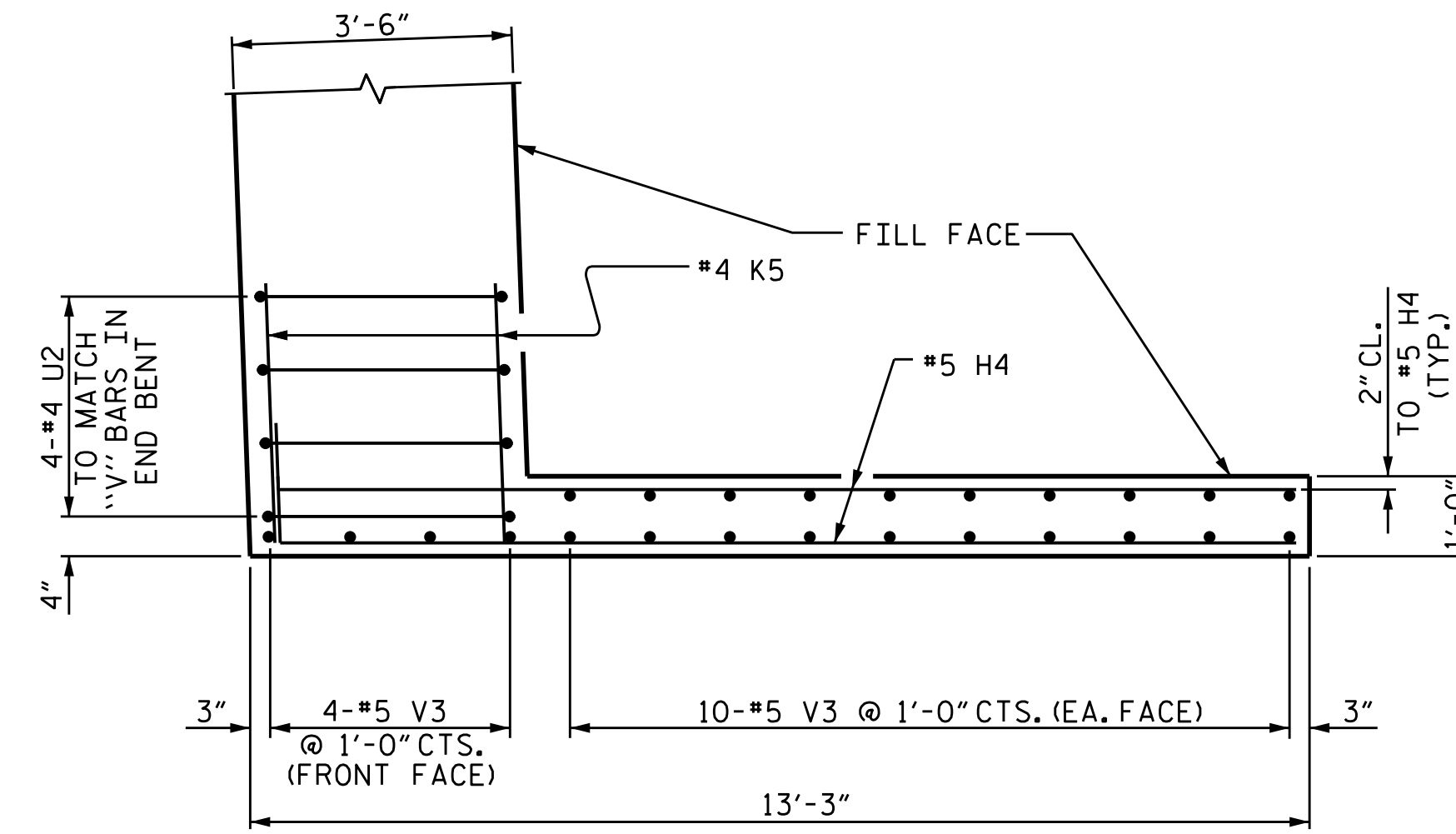
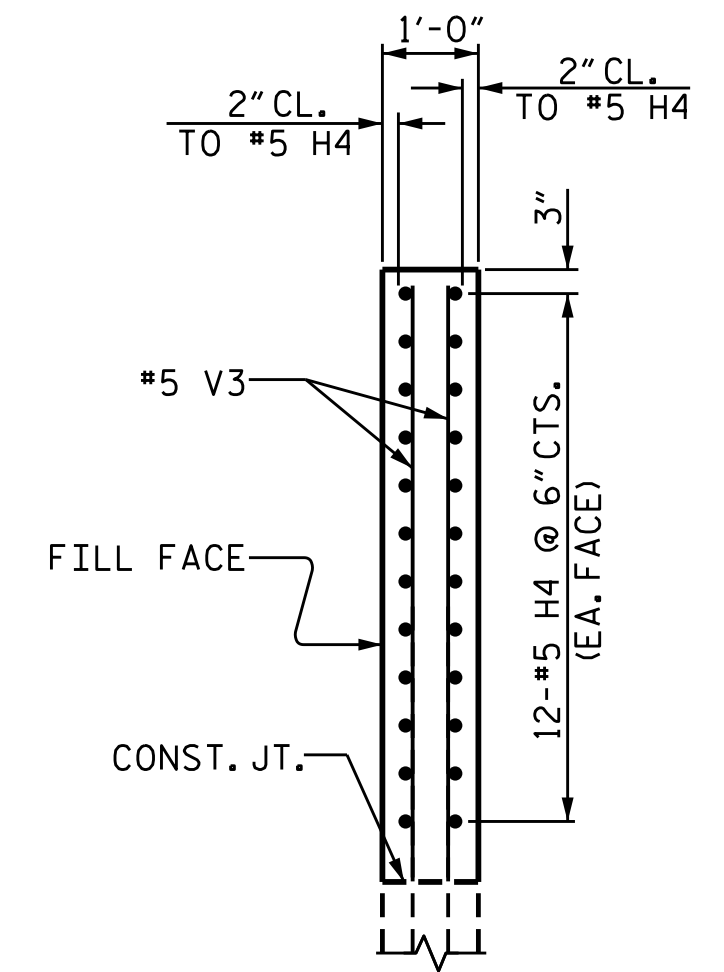


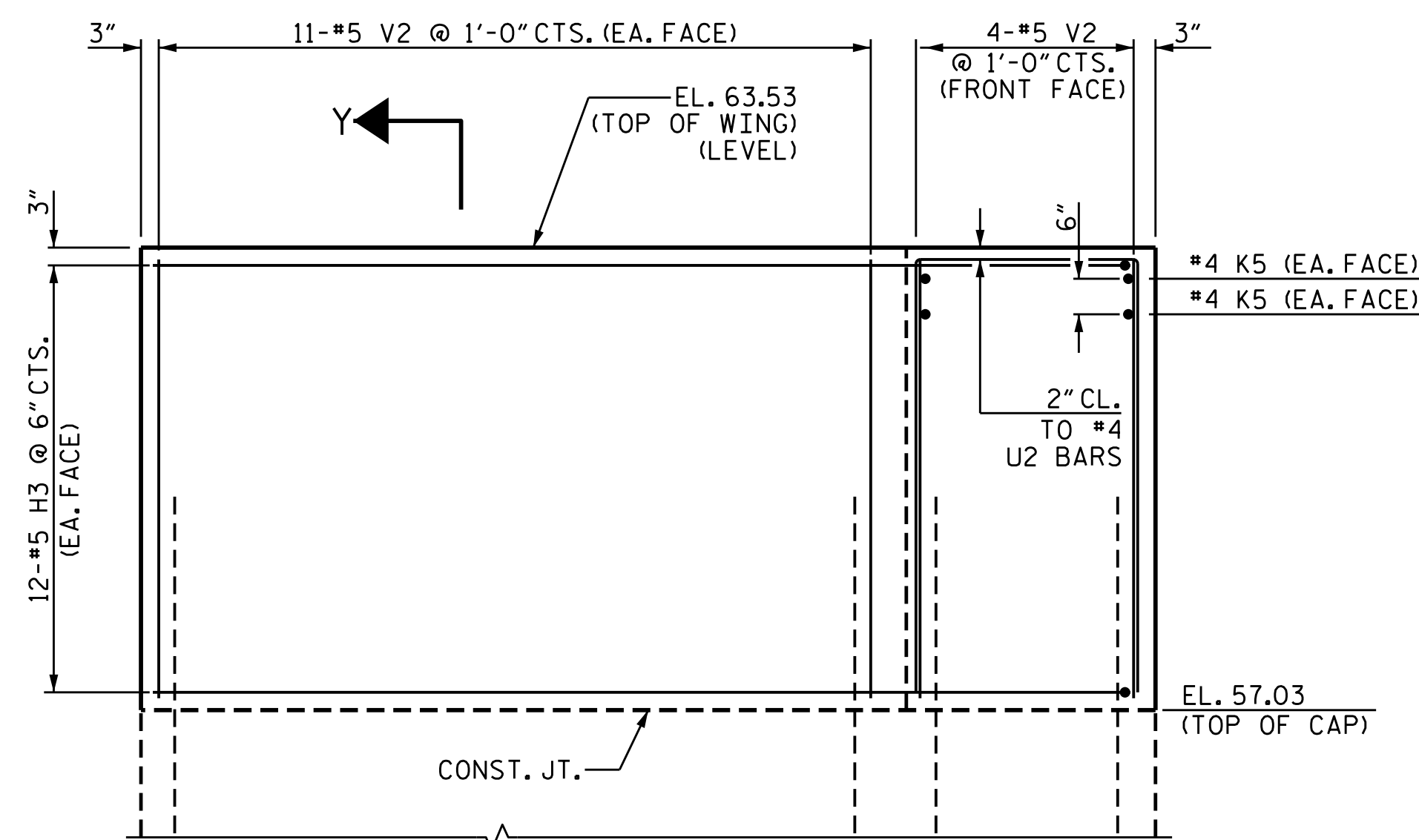
PLAN (W3)



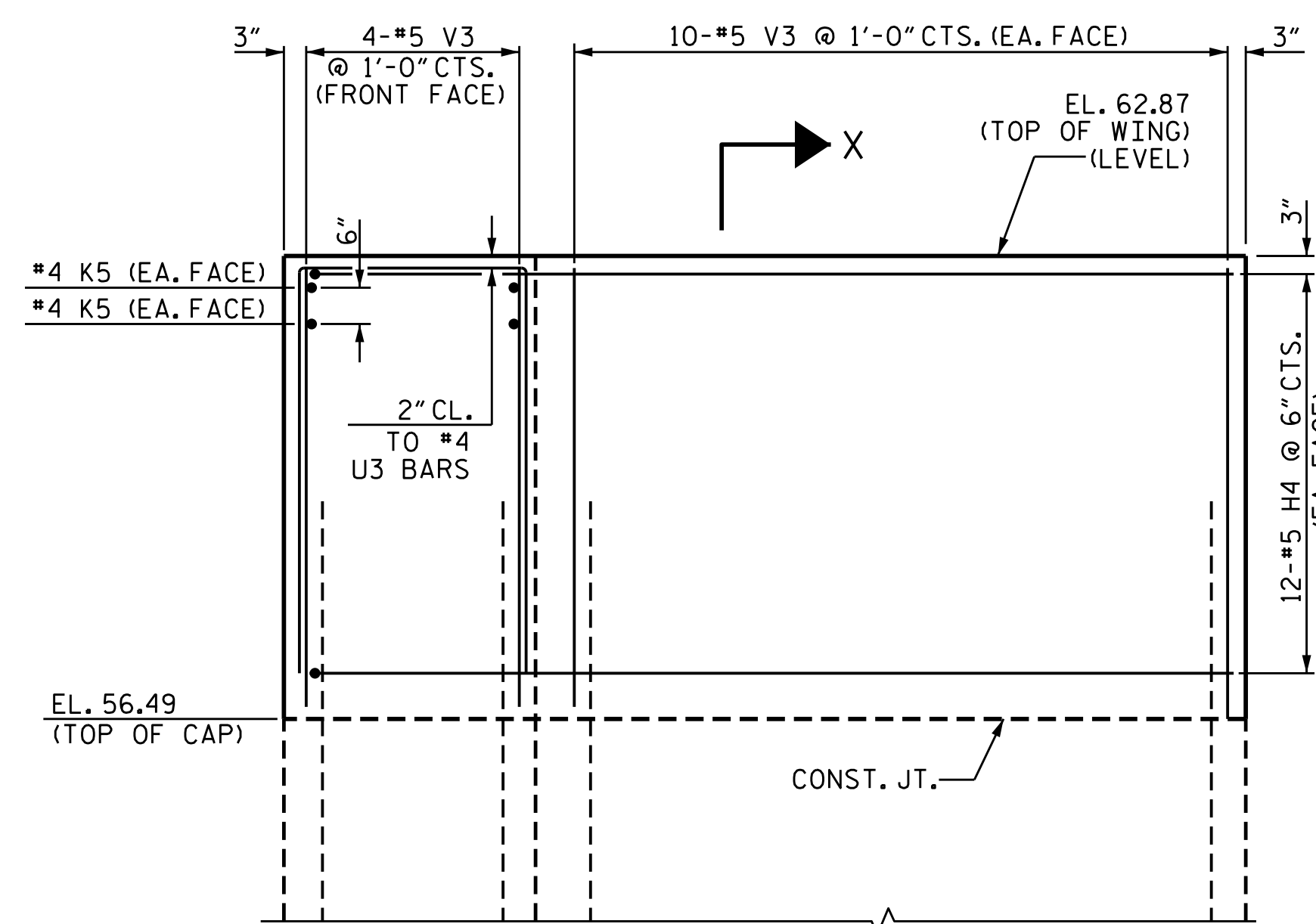
PLAN (W4)



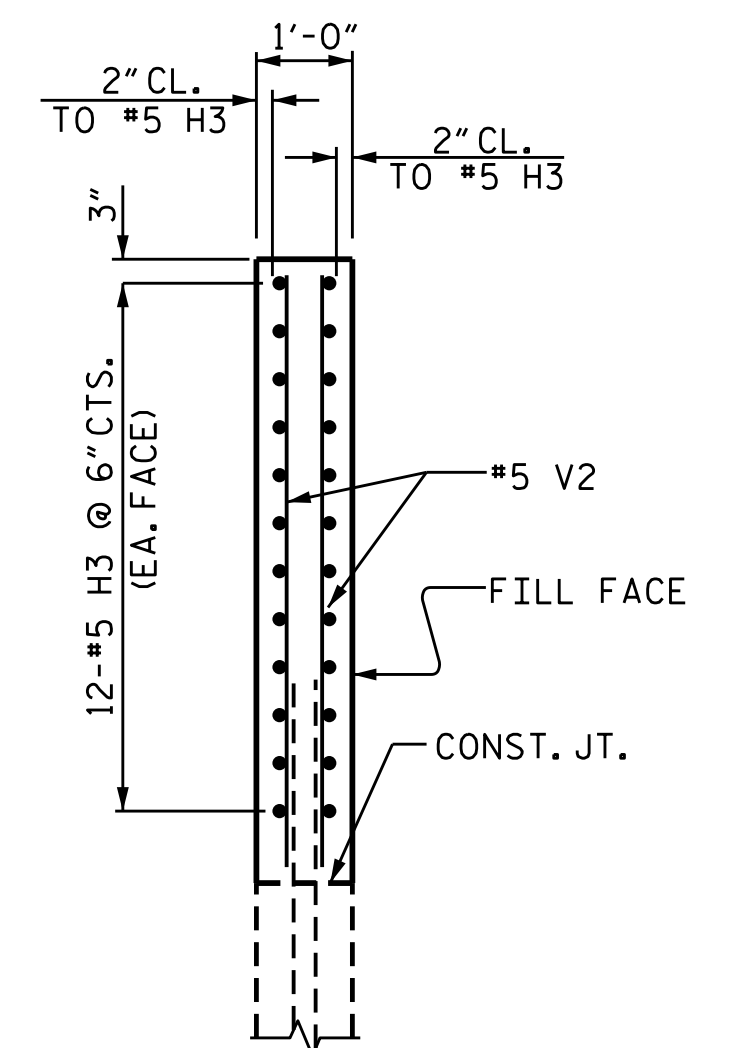
SECTION X-X



ELEVATION (W3)



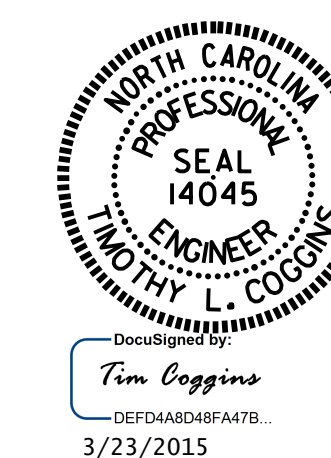
ELEVATION (W4)



SECTION Y-Y

PROJECT NO. R-2514D
 JONES & CRAVEN COUNTY
 STATION: 28+29.35 -Y10-

SHEET 4 OF 4



STATE OF NORTH CAROLINA
 DEPARTMENT OF TRANSPORTATION
 RALEIGH
 SUPERSTRUCTURE
 PLAN OF SPAN
 DETAILS
 (RIGHT LANE)

| REVISIONS | | | | | | SHEET NO. S16-010 |
|-----------|-----|-------|-----|-----|-------|----------------------|
| NO. | BY: | DATE: | NO. | BY: | DATE: | |
| 1 | | | 3 | | | TOTAL SHEETS 30 |
| 2 | | | 4 | | | |

DRAWN BY: M.D.PISO DATE: 09-09-14
 CHECKED BY: K.P.SEDAI DATE: 09-15-14
 DESIGN ENGINEER OF RECORD: R.KOUCHEKI DATE: 02/2015