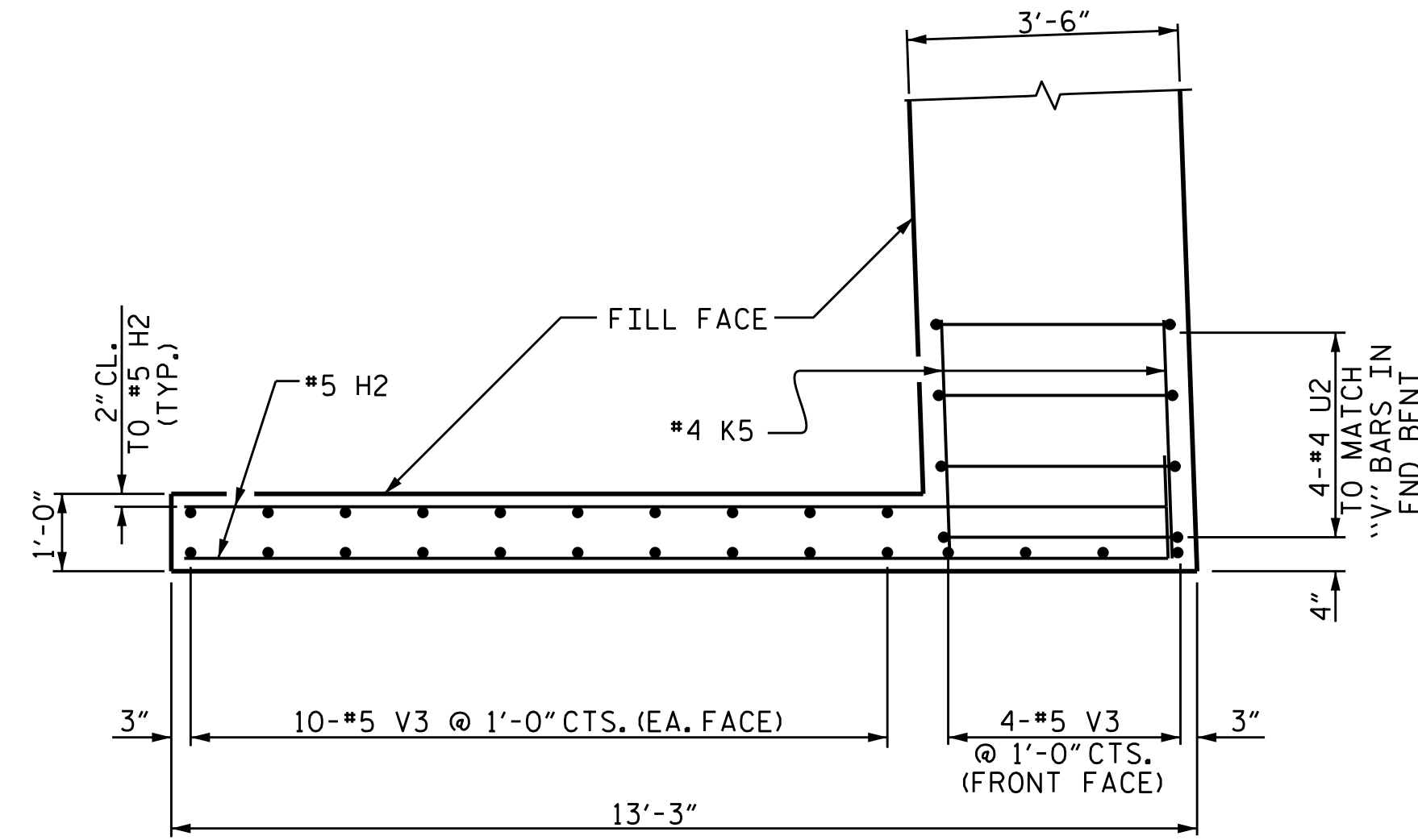
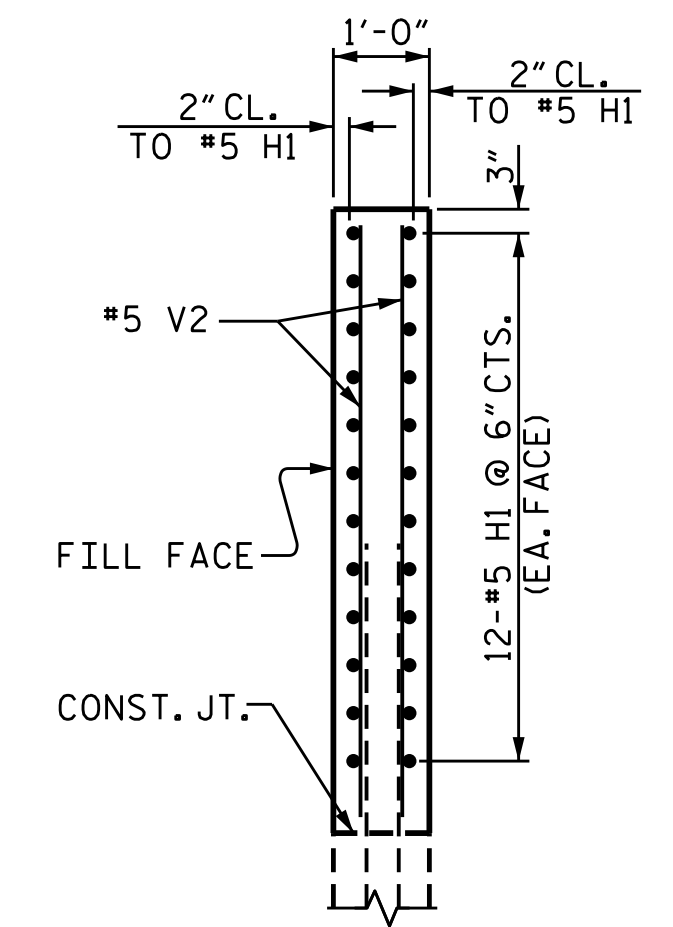


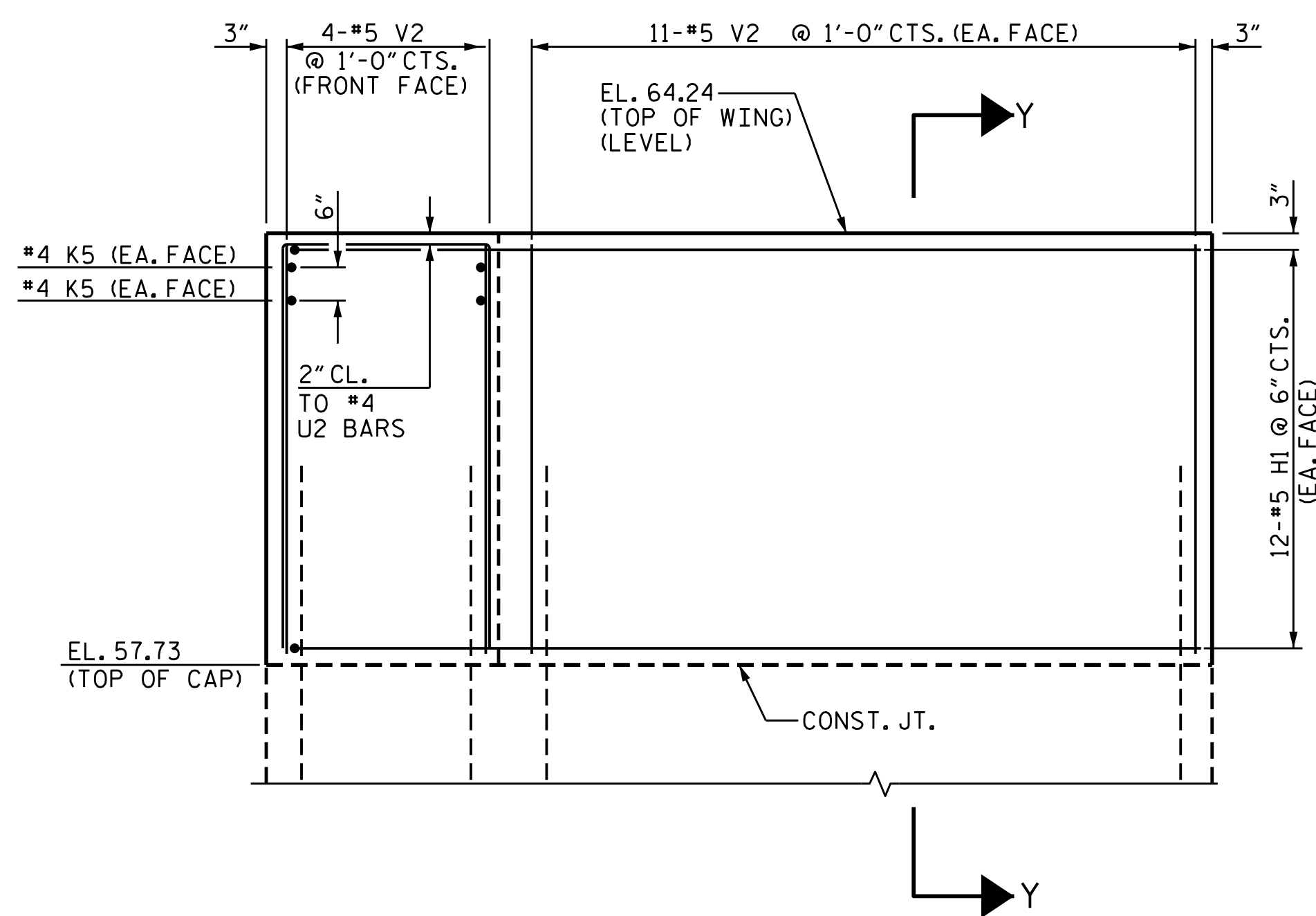
PLAN (W1)



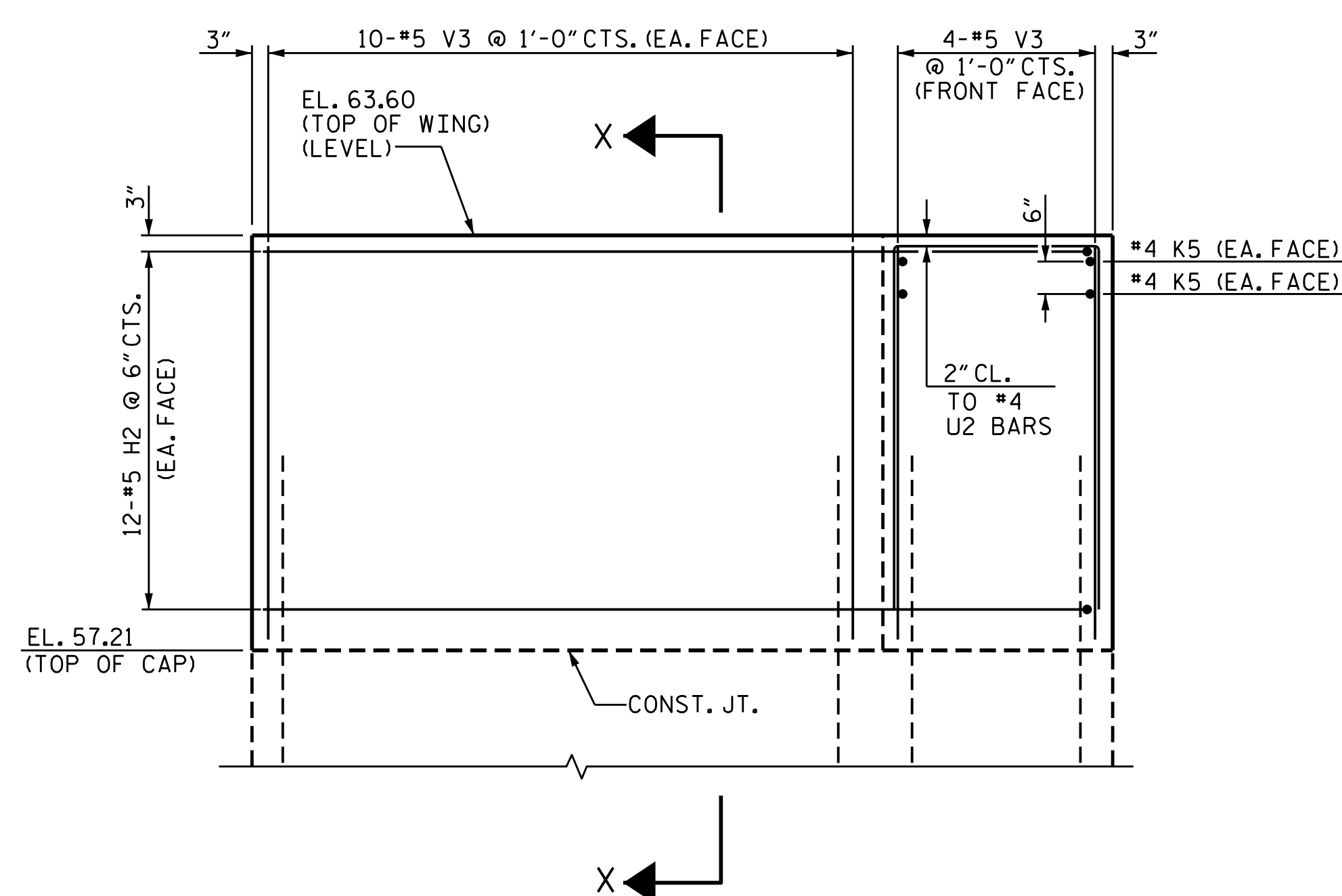
PLAN (W2)



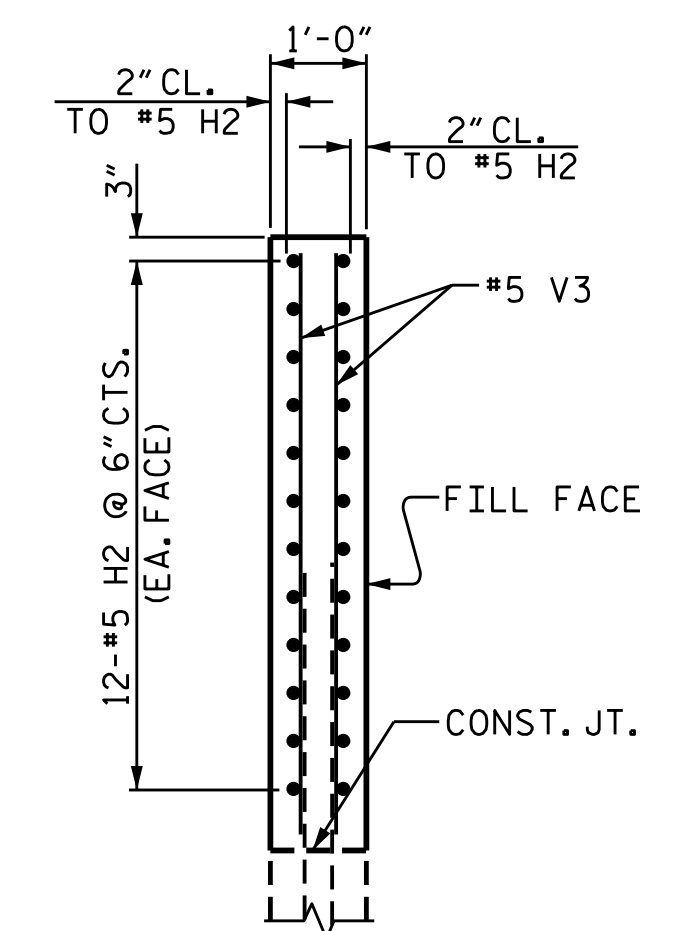
SECTION Y-Y



ELEVATION (W1)



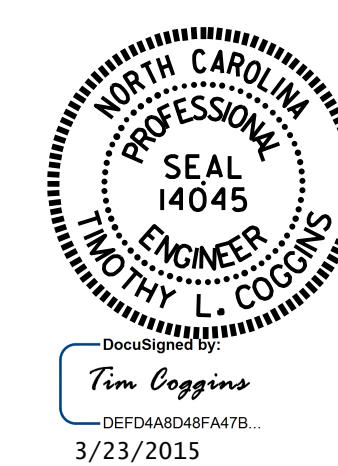
ELEVATION (W2)



SECTION X-X

PROJECT NO. R-2514D
 JONES & CRAVEN COUNTY
 STATION: 28+29.35 -Y10-

SHEET 3 OF 4



STATE OF NORTH CAROLINA
 DEPARTMENT OF TRANSPORTATION
 RALEIGH
 SUPERSTRUCTURE
 PLAN OF SPAN
 DETAILS
 (RIGHT LANE)

REVISIONS						SHEET NO. S16-009
NO.	BY:	DATE:	NO.	BY:	DATE:	
1			3			TOTAL SHEETS 30
2			4			

DRAWN BY: M.D.PISO DATE: 09-09-14
 CHECKED BY: K.P.SEDA DATE: 09-15-14
 DESIGN ENGINEER OF RECORD: R.KOUICHEKI DATE: 02/2015