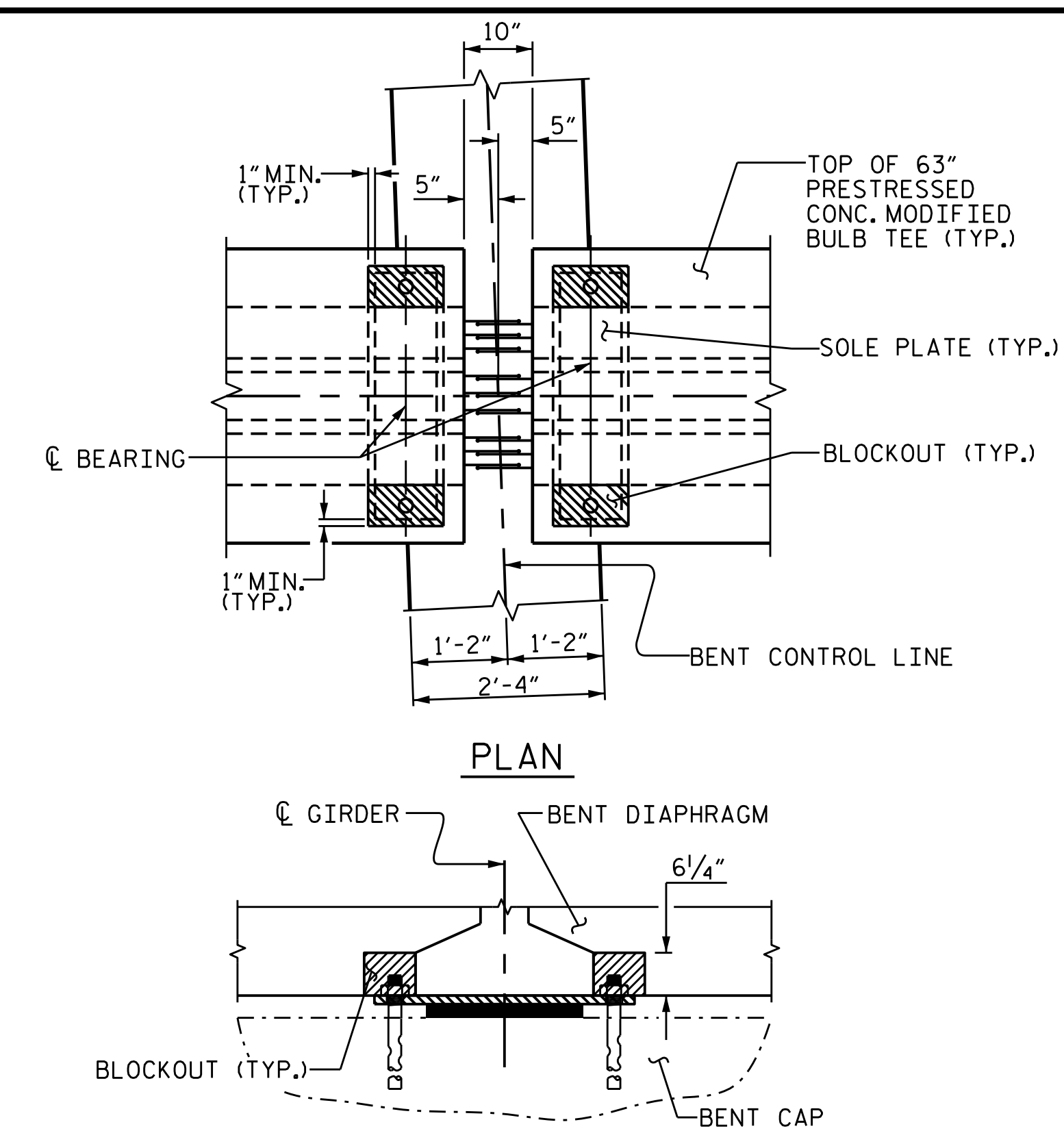
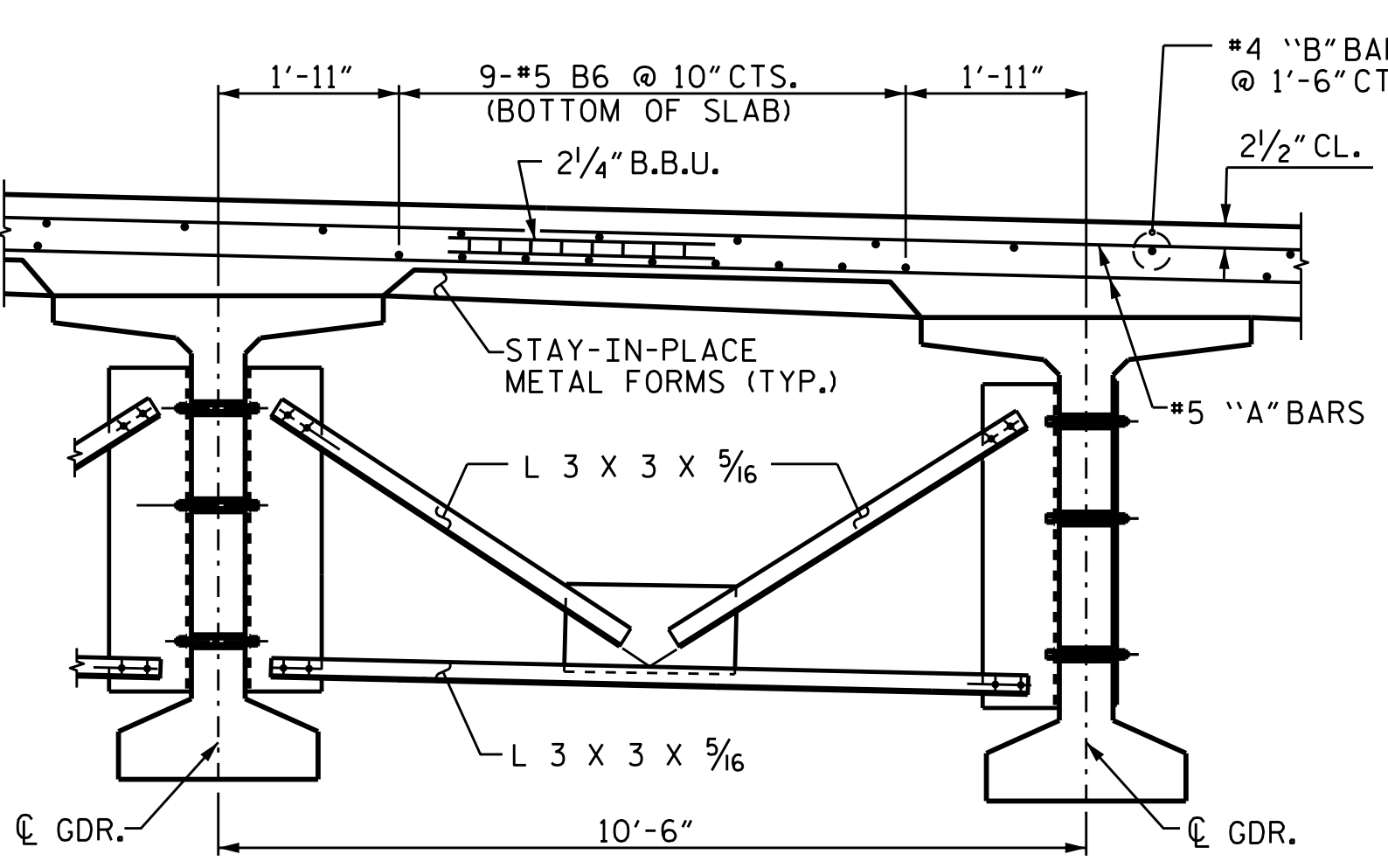


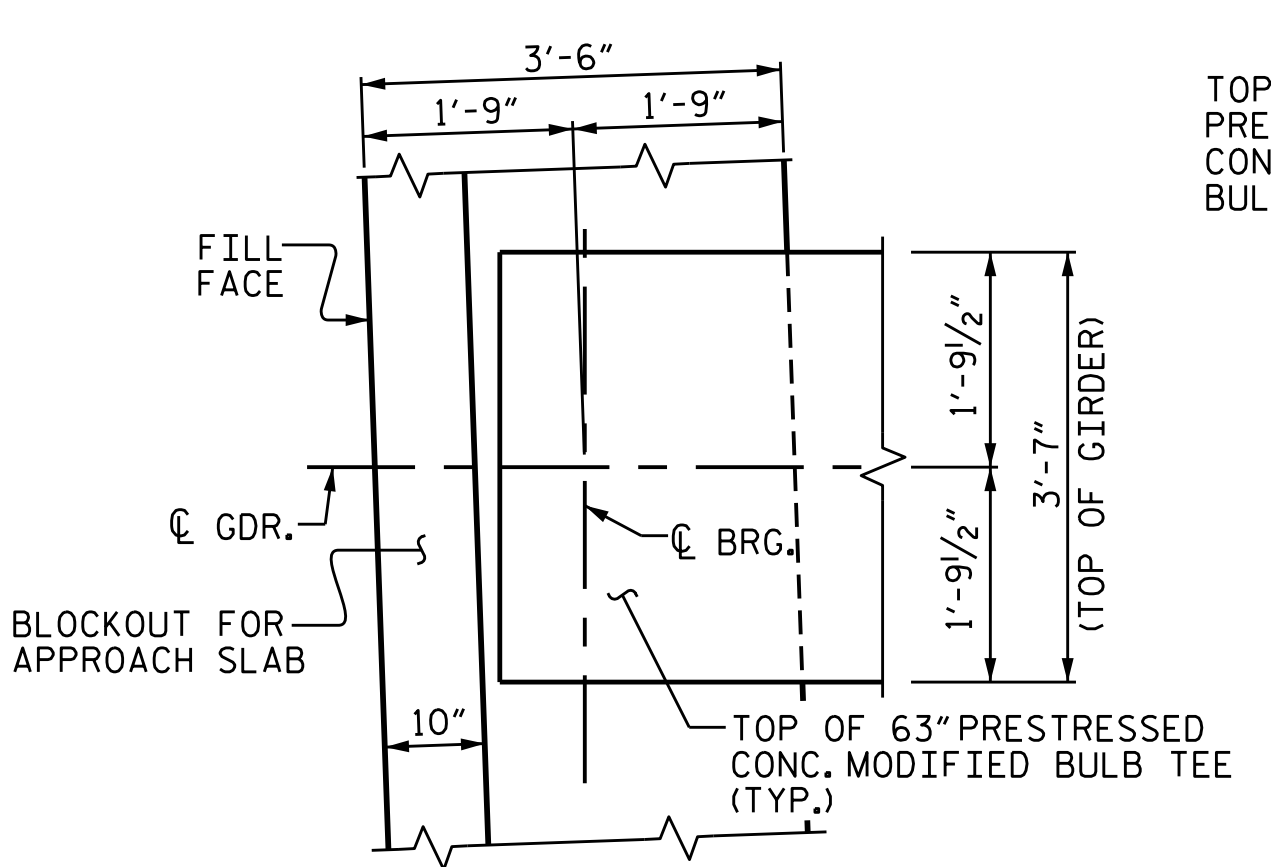
TYPICAL SECTION @ CONTINUOUS BENT DIAPHRAGM



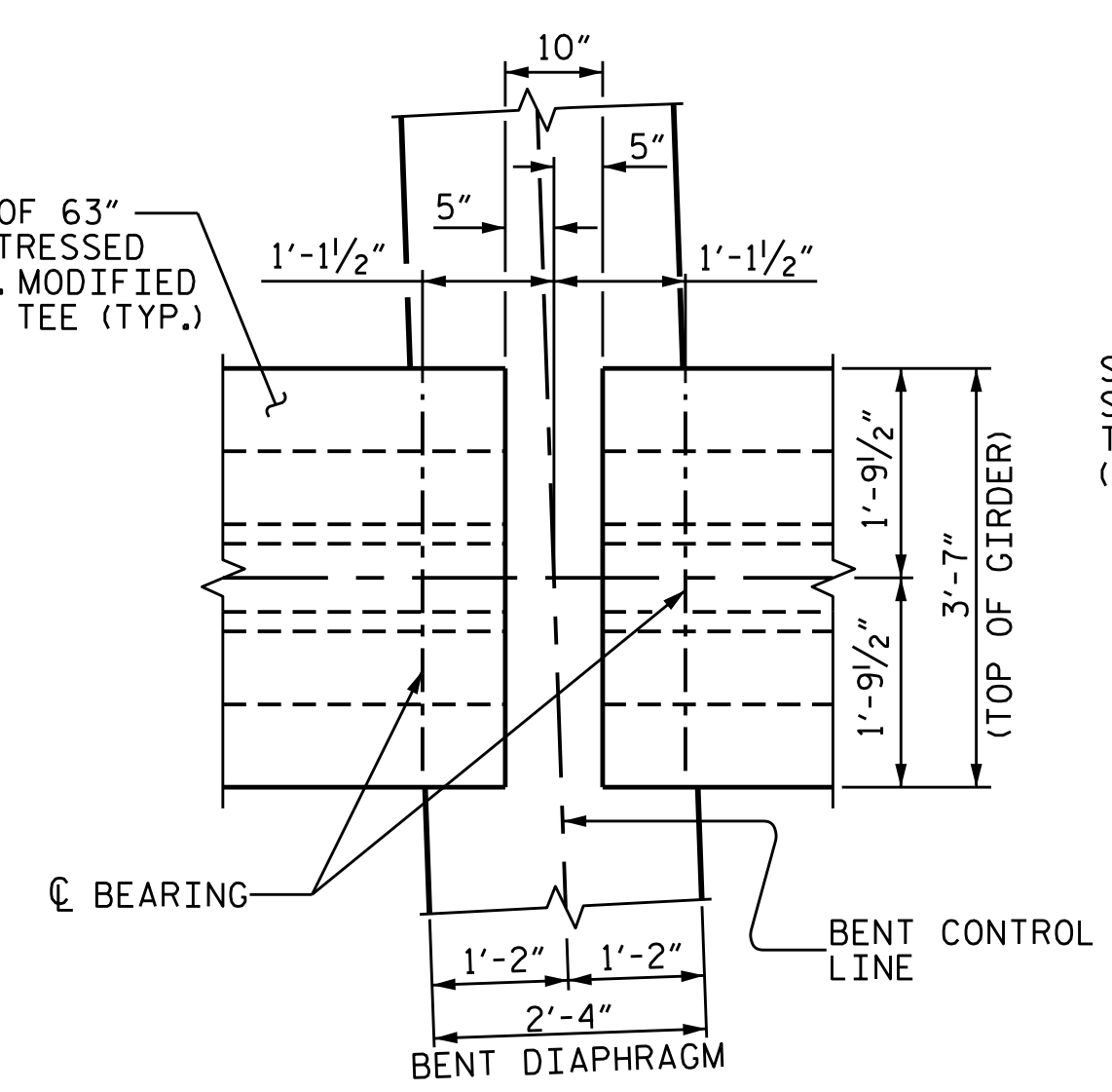
SECTION
BENT DIAPHRAGM BLOCK-OUT DETAIL



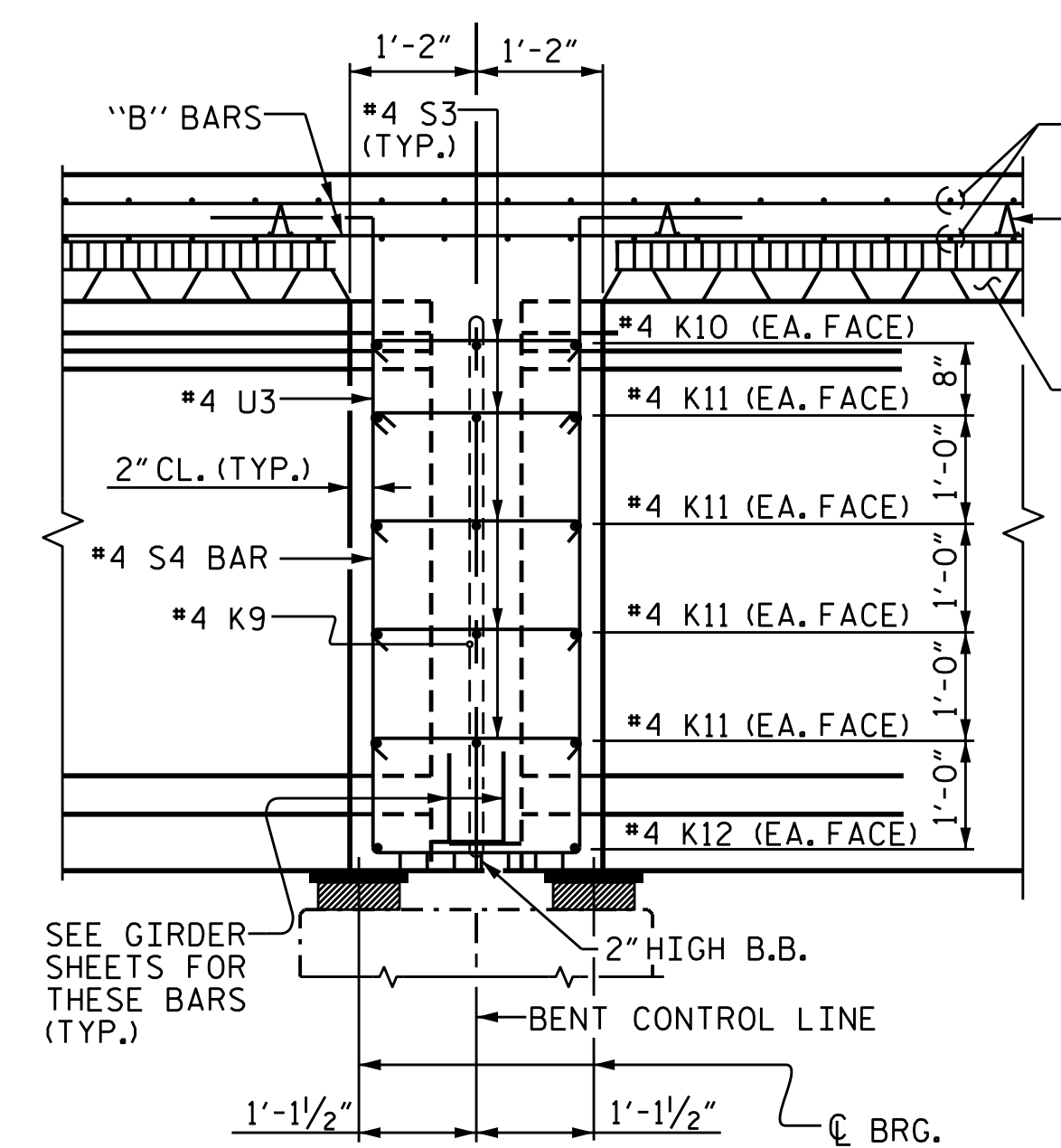
PARTIAL TYPICAL SECTION @ INTERMEDIATE DIAPHRAGMS



END BENT DIAPHRAGM



BENT DIAPHRAGM



SECTION @ INTERIOR BENT DIAPHRAGM

PROJECT NO. R-2514D
 JONES & CRAVEN COUNTY
 STATION: 28+29.35 -Y10-

SHEET 2 OF 2

STATE OF NORTH CAROLINA
 DEPARTMENT OF TRANSPORTATION
 RALEIGH
 SUPERSTRUCTURE
 TYPICAL SECTION
 DETAILS
 (RIGHT LANE)



DRAWN BY: M.D.PISO DATE: 08-18-14
 CHECKED BY: K.P.SEDAI DATE: 08-00-14
 DESIGN ENGINEER OF RECORD: G.KOUCHEKI DATE: 02/2015

REVISIONS						SHEET NO. S16-006
NO.	BY:	DATE:	NO.	BY:	DATE:	
1			3			TOTAL SHEETS 30
2			4			