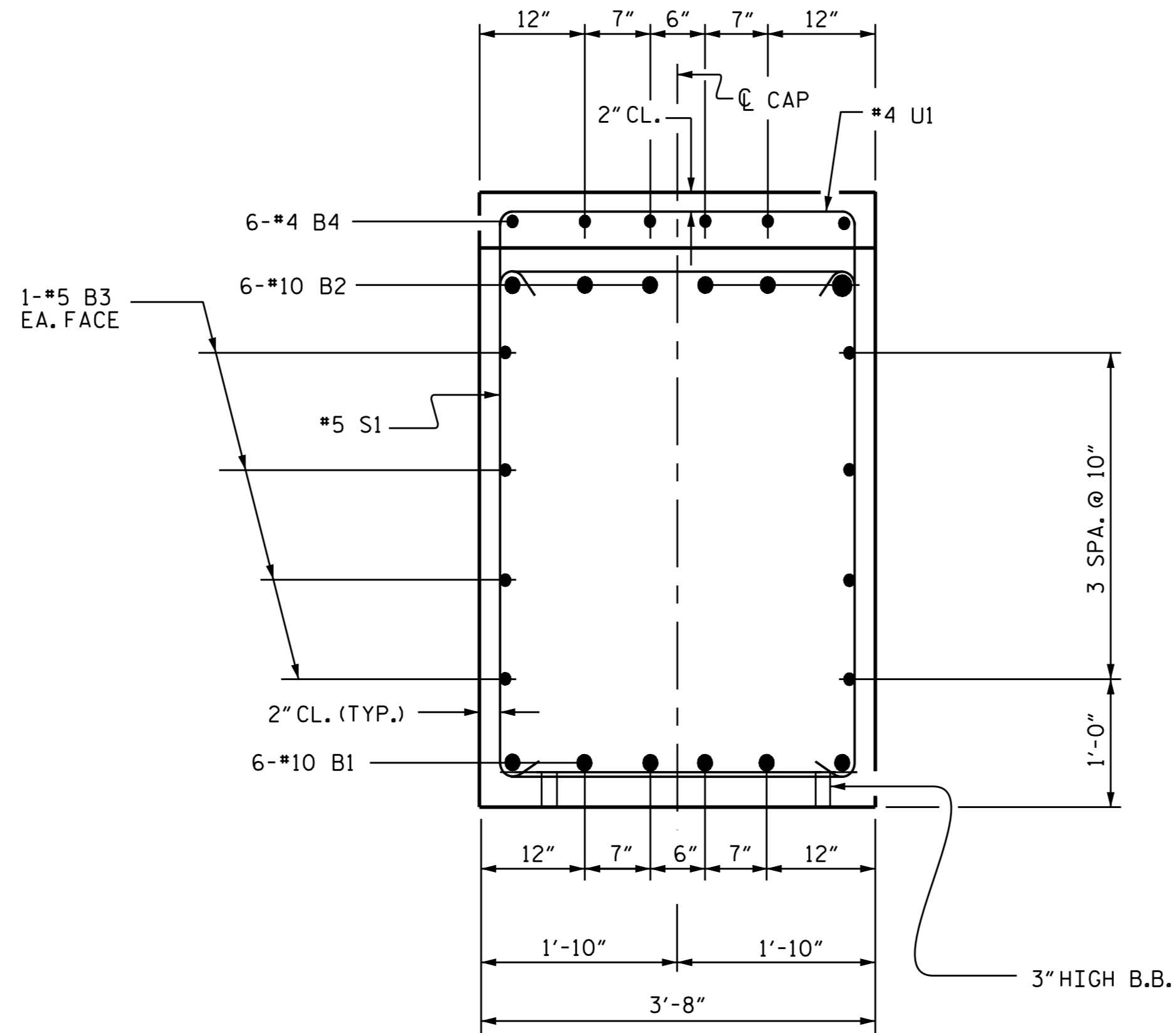
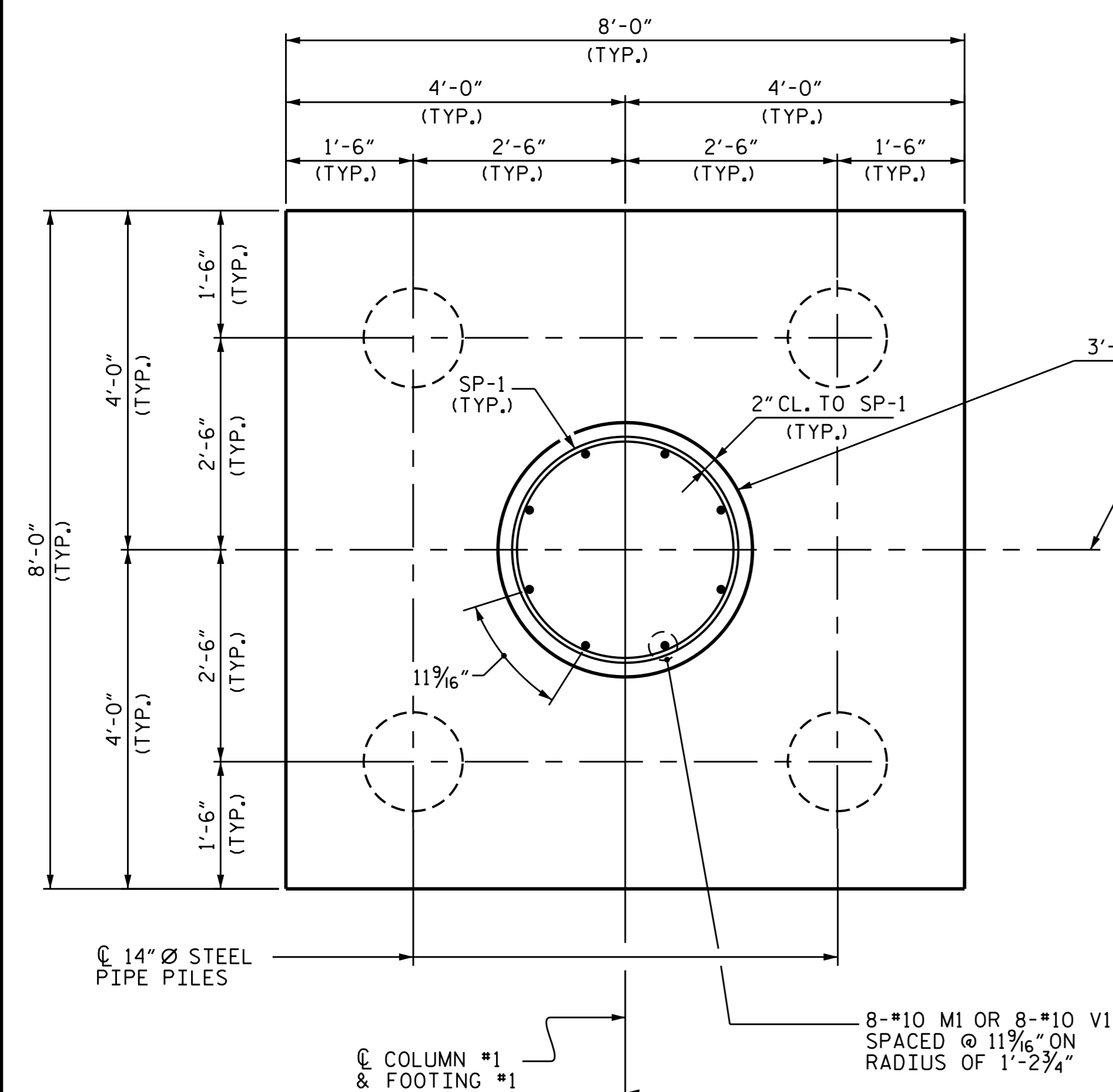


SECTION A-A

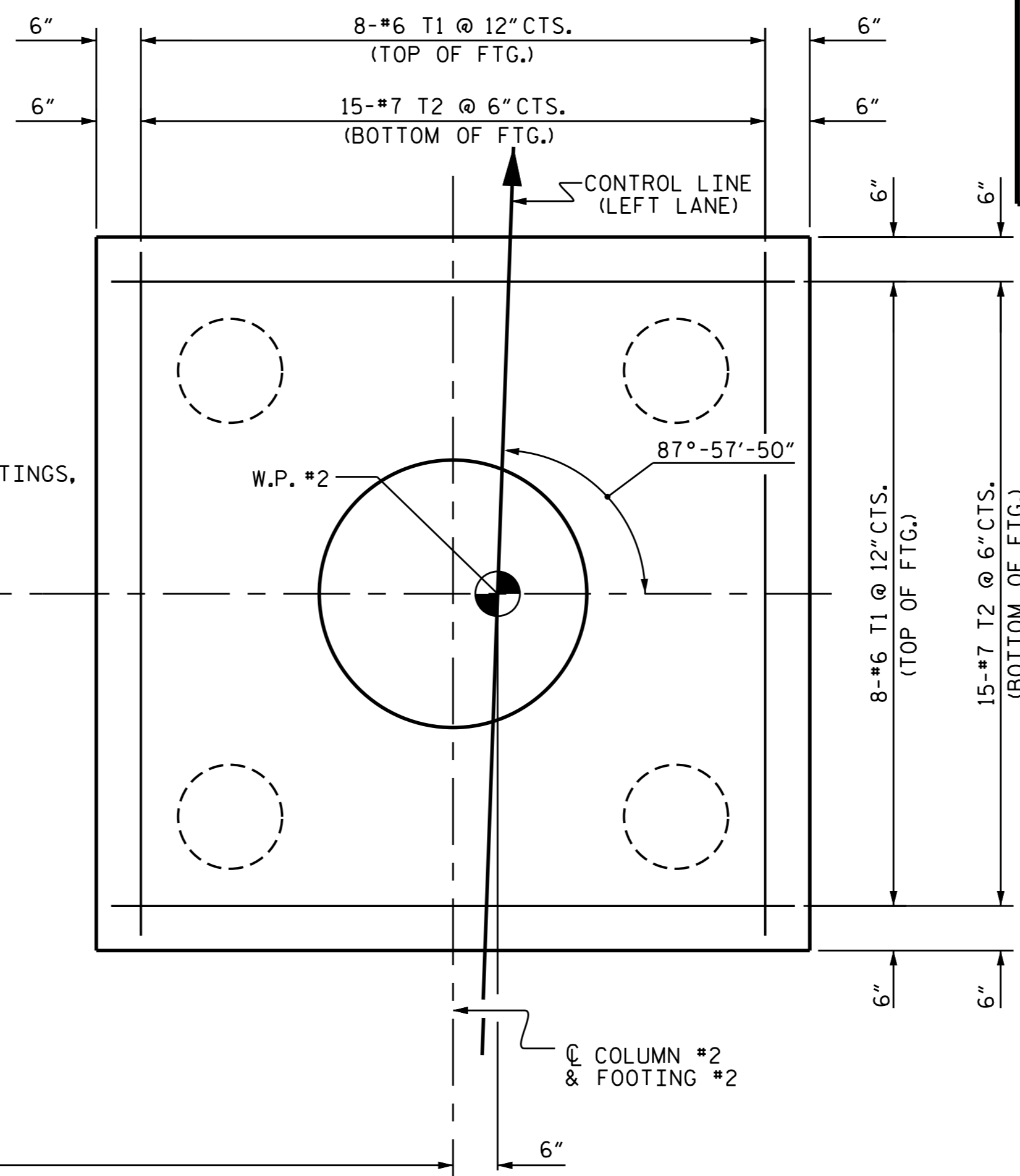


SECTION B-B



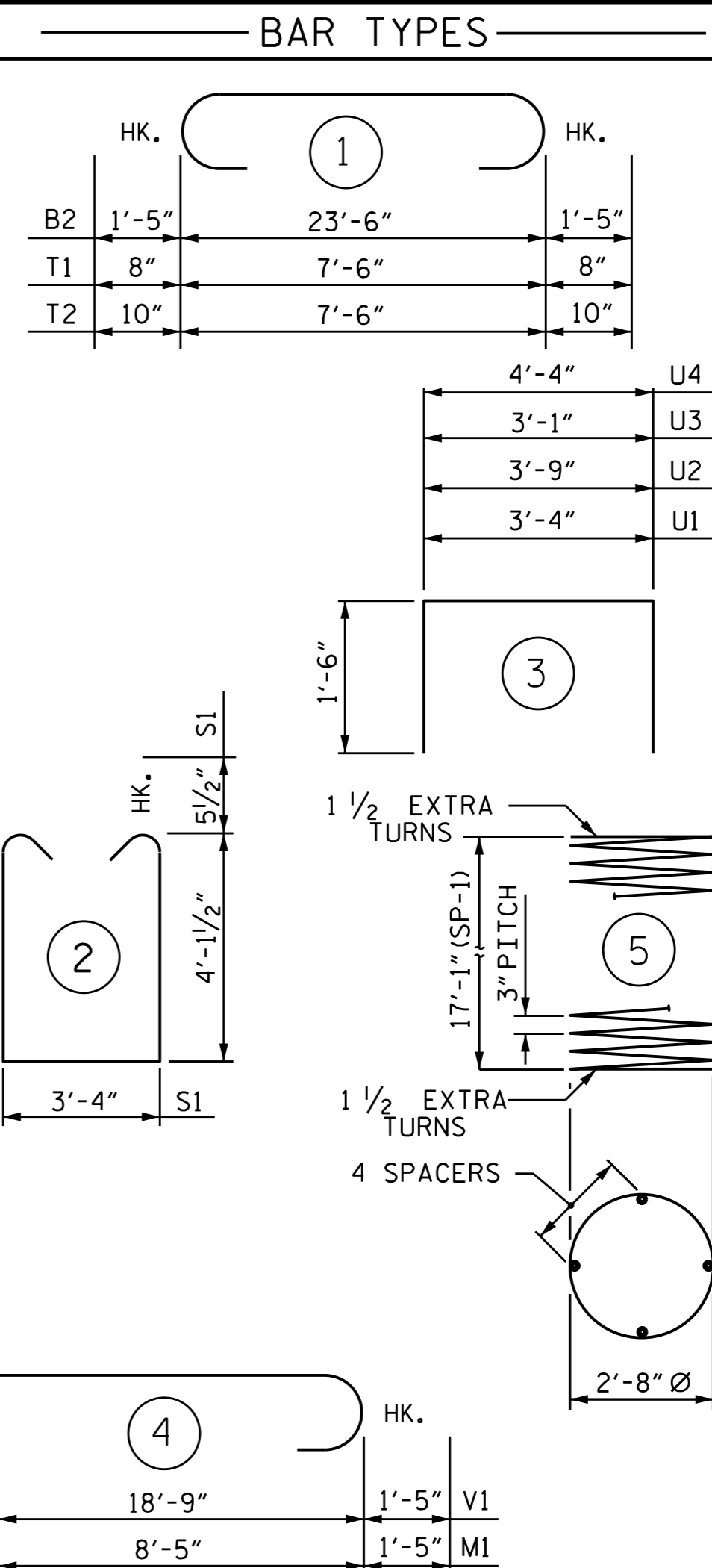
PLAN OF FOOTINGS

(ALL FOOTING, COLUMN DIMENSIONS AND REINFORCING STEEL ARE TYPICAL)



PIPE PILE IN FOOTING DETAIL

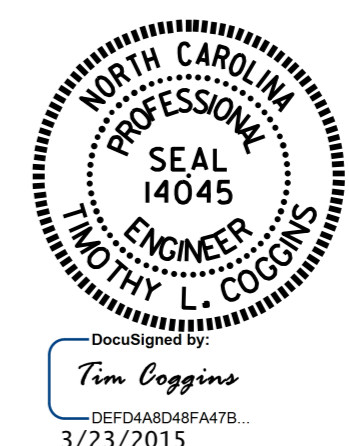
(THE CONTRACTOR MAY PROPOSE AN ALTERNATE METHOD FOR PLUGGING THE STEEL PIPE PILE, SUBJECT TO APPROVAL BY THE ENGINEER.)



ALL BAR DIMENSIONS ARE OUT TO OUT.

BILL OF MATERIAL					
BENT #1					
BAR	NO.	SIZE	TYPE	LENGTH	WEIGHT
B1	6	10	STR	23'-6"	607
B2	6	10	1	26'-4"	680
B3	8	5	STR	23'-8"	197
B4	6	4	STR	4'-2"	17
S1	27	5	2	12'-6"	352
U1	24	4	3	6'-4"	102
U2	3	4	3	6'-9"	14
U3	8	4	3	6'-1"	33
U4	3	4	3	7'-4"	15
M1	16	10	4	9'-10"	677
V1	16	10	4	20'-2"	1388
T1	32	6	1	8'-10"	425
T2	60	7	1	9'-2"	1124
REINFORCING STEEL					5631 LBS.
SP-1	2	**	5	588'-7"	786 LBS.
SPIRAL COLUMN REINFORCING STEEL					786 LBS.
CLASS A CONCRETE BREAKDOWN					
POUR #1 FOOTINGS				CU. YD.	16.6
POUR #2 COLUMNS				CU. YD.	8.8
POUR #3 CAP				CU. YD.	15.3
TOTAL CLASS A CONCRETE				CU. YD.	40.7
14" Ø STEEL PIPE PILES					
NO. 8				LIN. FT.	600
STEEL PILE POINTS					EA.
NO. 8					
PILE REDRIVES					EA. 4
** THE SP-1 SPIRAL REINFORCING STEEL SHALL BE W20 OR D-20 COLD DRAWN WIRE OR #4 PLAIN OR DEFORMED BAR.					

DRAWN BY: GHOLAMREZA KOUCHEKI DATE: 5/30/14
 CHECKED BY: K.P.SEDAI DATE: 5/30/14
 DESIGN ENGINEER OF RECORD: GHOLAMREZA KOUCHEKI DATE: 02/2015



PROJECT NO. R-2514D
 JONES-CRAVEN COUNTY
 STATION: 28+29.35 -Y10-

SHEET 2 OF 2

REVISIONS					
NO.	BY:	DATE:	NO.	BY:	DATE:
1			3		
2			4		

SHEET NO. S15-024
 SHEETS 30