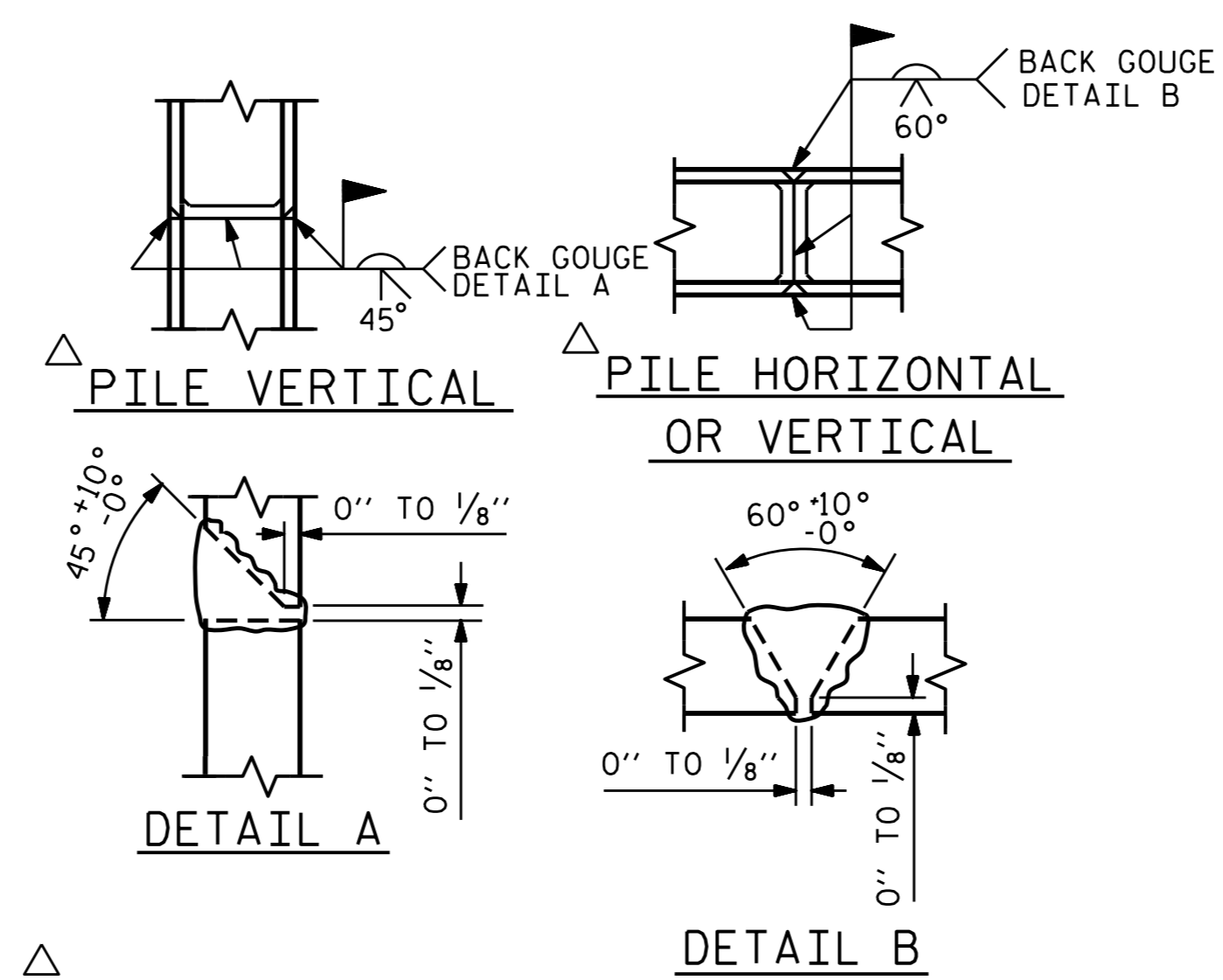


BAGGED STONE AND PIPE SHALL BE PLACED IMMEDIATELY AFTER COMPLETION OF END BENT EXCAVATION. PIPE MAY BE EITHER CONCRETE, CORRUGATED STEEL, CORRUGATED ALUMINUM ALLOY, OR CORRUGATED PLASTIC. PERFORATED PIPE WILL NOT BE ALLOWED.

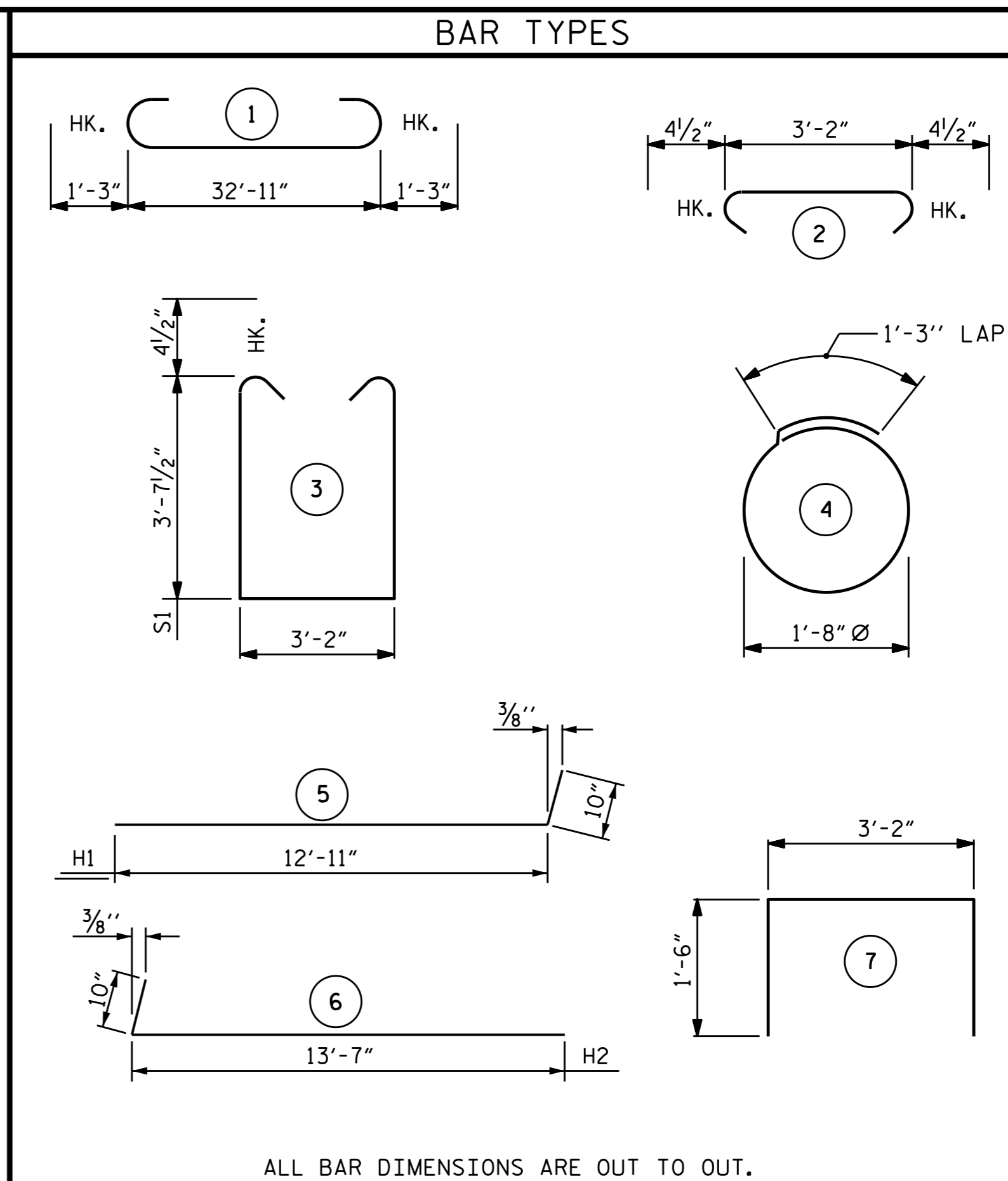
BAGGED STONE SHALL REMAIN IN PLACE UNTIL THE ENGINEER DIRECTS THAT IT BE REMOVED. THE CONTRACTOR SHALL REMOVE AND DISPOSE OF SILT ACCUMULATIONS AT BAGGED STONE WHEN SO DIRECTED BY THE ENGINEER. BAGS SHALL BE REMOVED AND REPLACED WHENEVER THE ENGINEER DETERMINES THAT THEY HAVE DETERIORATED AND LOST THEIR EFFECTIVENESS.

NO SEPARATE PAYMENT WILL BE MADE FOR THIS WORK AND THE ENTIRE COST OF THIS WORK SHALL BE INCLUDED IN THE UNIT CONTRACT PRICE BID FOR THE SEVERAL PAY ITEMS.

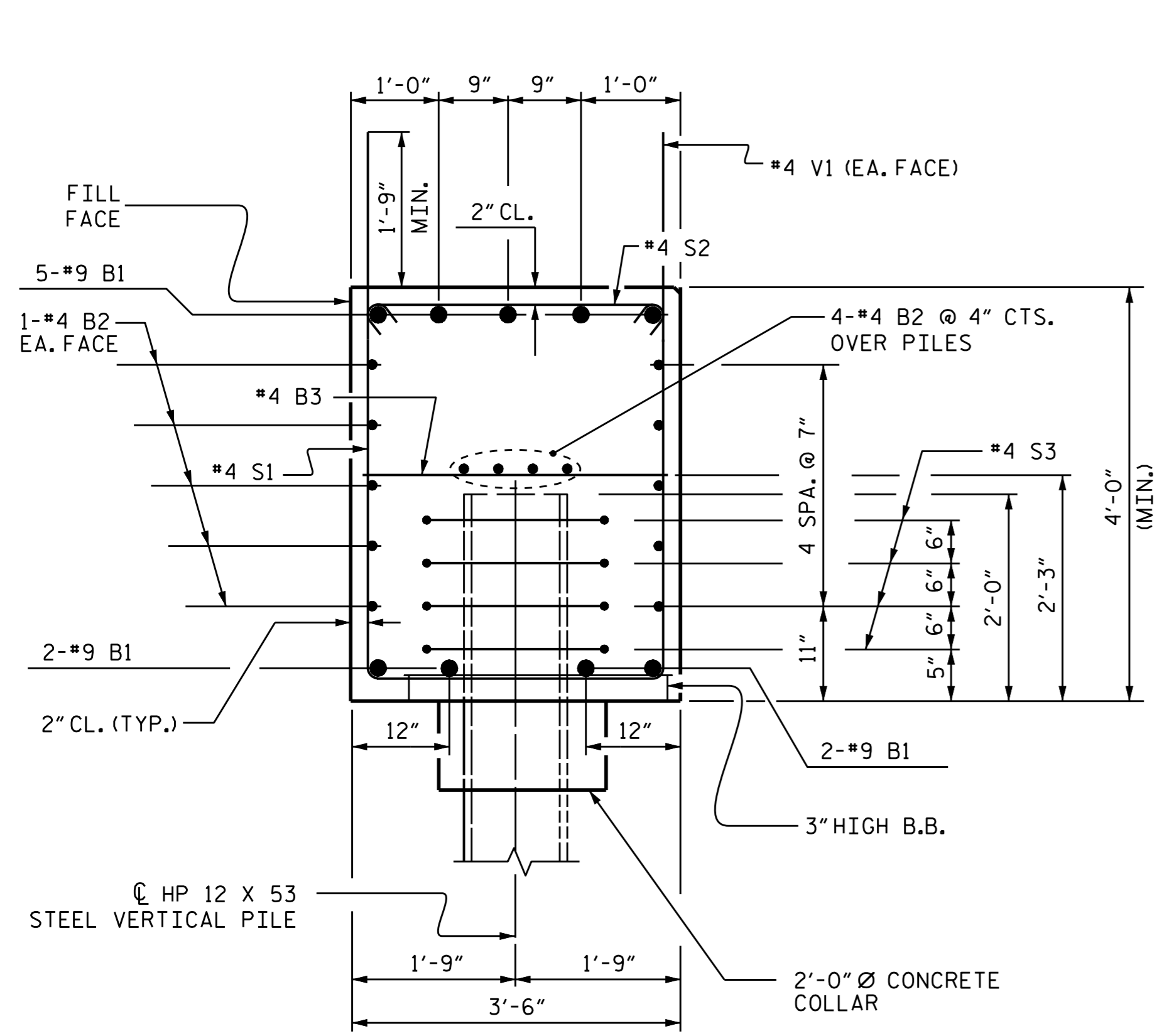
TEMPORARY DRAINAGE AT END BENT



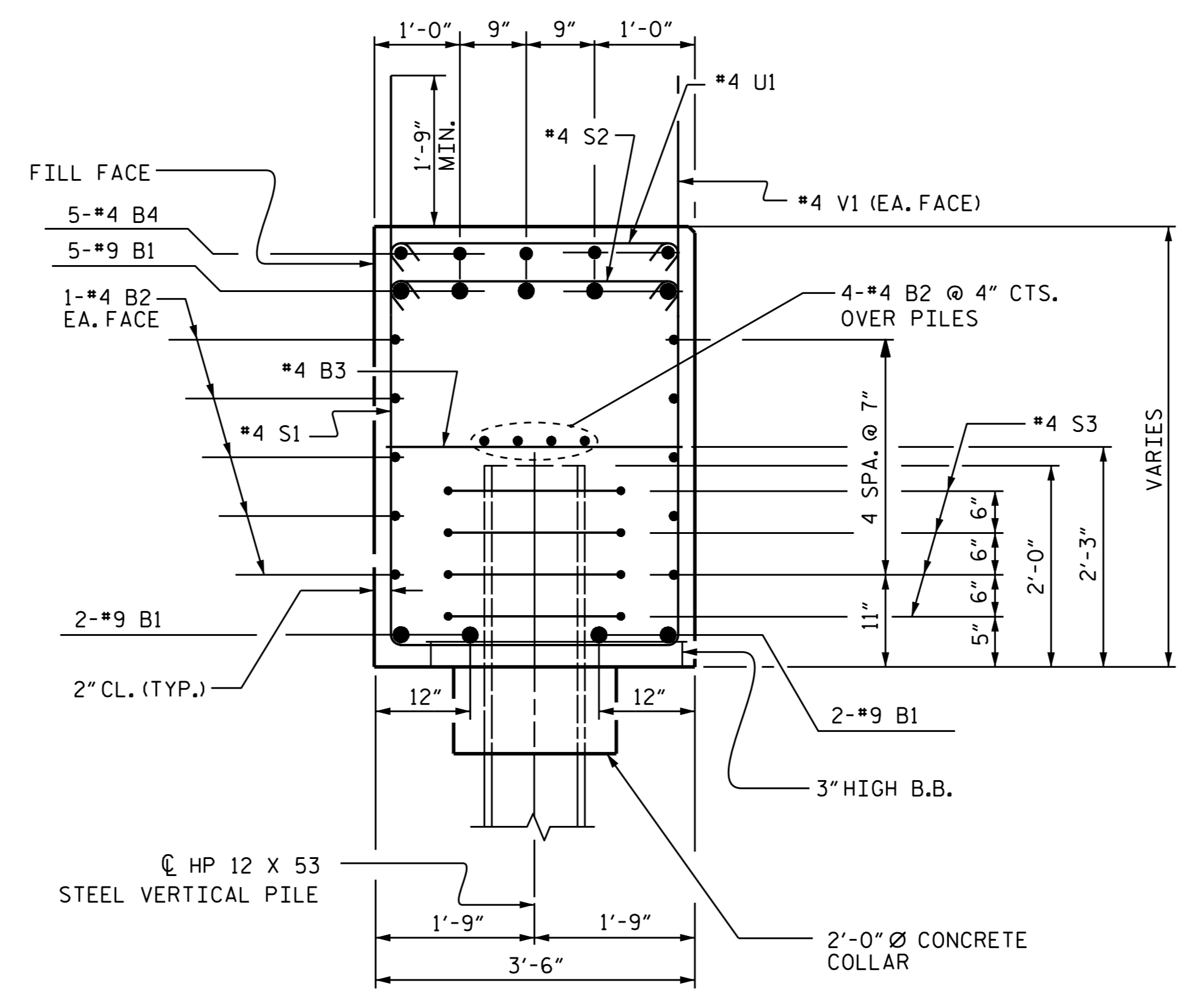
PILE SPLICE DETAILS



BILL OF MATERIAL					
END BENT #1					
BAR	NO.	SIZE	TYPE	LENGTH	WEIGHT
B1	9	#9		35'-5"	1,084
B2	28	#4	STR	17'-9"	332
B3	9	#4	STR	3'-2"	19
B4	5	#4	STR	8'-2"	27
H1	16	#5		13'-9"	229
H2	18	#5		14'-5"	271
S1	45	#4		11'-2"	336
S2	45	#4		3'-11"	118
S3	24	#4		6'-6"	104
U1	6	#4		6'-2"	25
V1	61	#4	STR	6'-2"	252
V2	24	#5	STR	5'-6"	138
V3	26	#5	STR	6'-0"	163
REINFORCING STEEL				=	3,098 LBS
CLASS A CONCRETE					
POUR #1 (CAP & LOWER PART OF WINGS)					21.3 C.Y.
CONCRETE COLLARS					1.0 C.Y.
TOTAL					22.3 C.Y.
HP 12 x 53 STEEL PILES No. 6					420 LIN FT.
STEEL PILE POINTS NO. 6					EA.
PILE REDRIVES					3 EA.

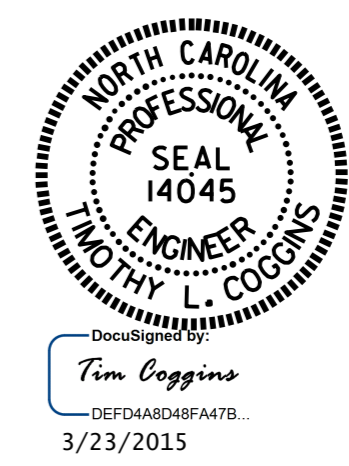


SECTION A-A



SECTION B-B

DRAWN BY: GHOLAMREZA KOUCHEKI DATE: 4/25/14
 CHECKED BY: K.P. SEDAI DATE: 5/19/14
 DESIGN ENGINEER OF RECORD: GHOLAMREZA KOUCHEKI DATE: 02/2015



PROJECT NO. R-2514D
 JONES-CRAVEN COUNTY
 STATION: 28+29.35 -Y10-

SHEET 3 OF 3

REVISIONS						SHEET NO.
NO.	BY:	DATE:	NO.	BY:	DATE:	S15-022
1			3			TOTAL SHEETS 30
2			4			