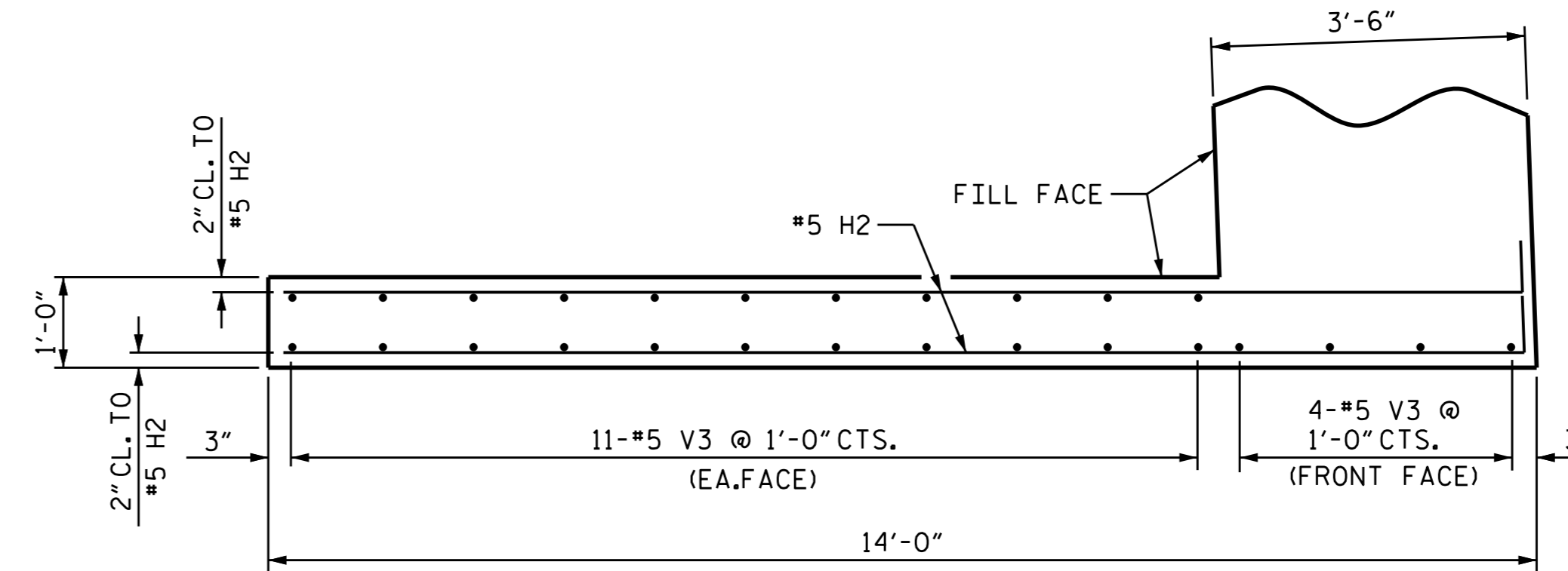
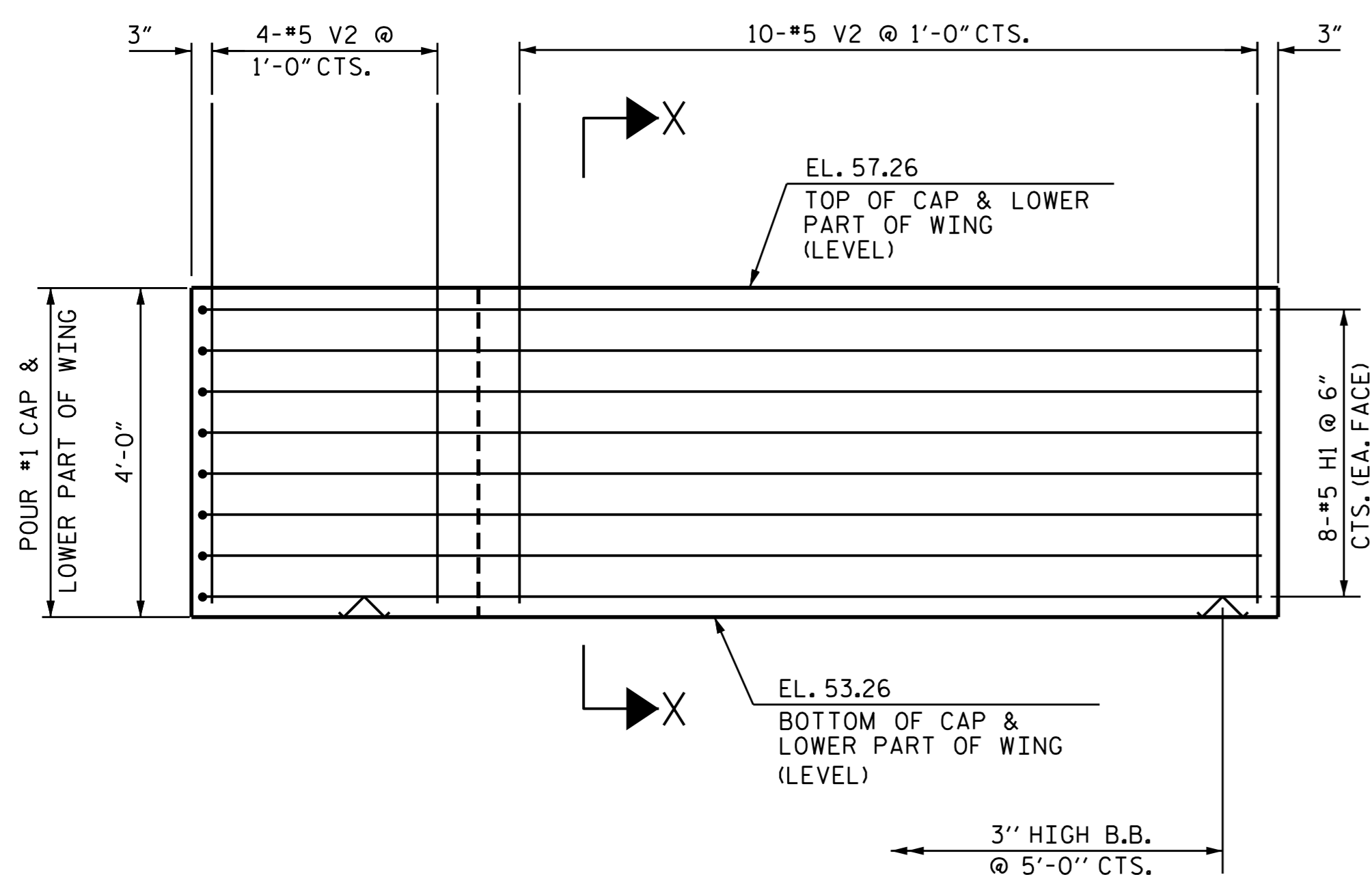


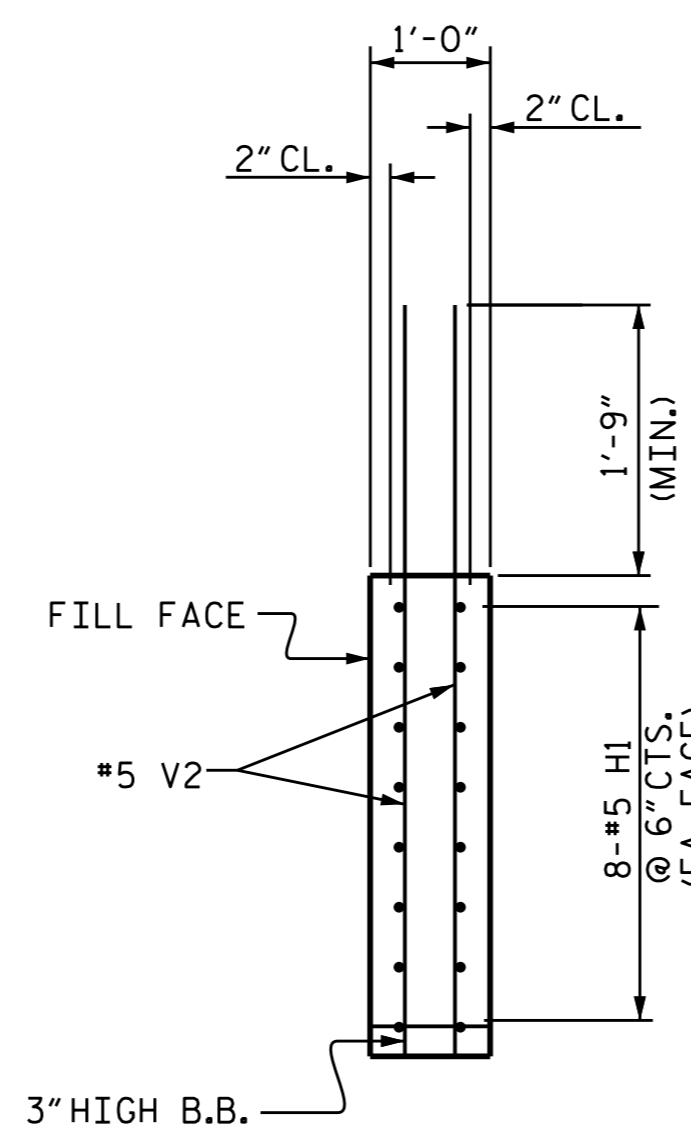
PLAN OF WING (W1)



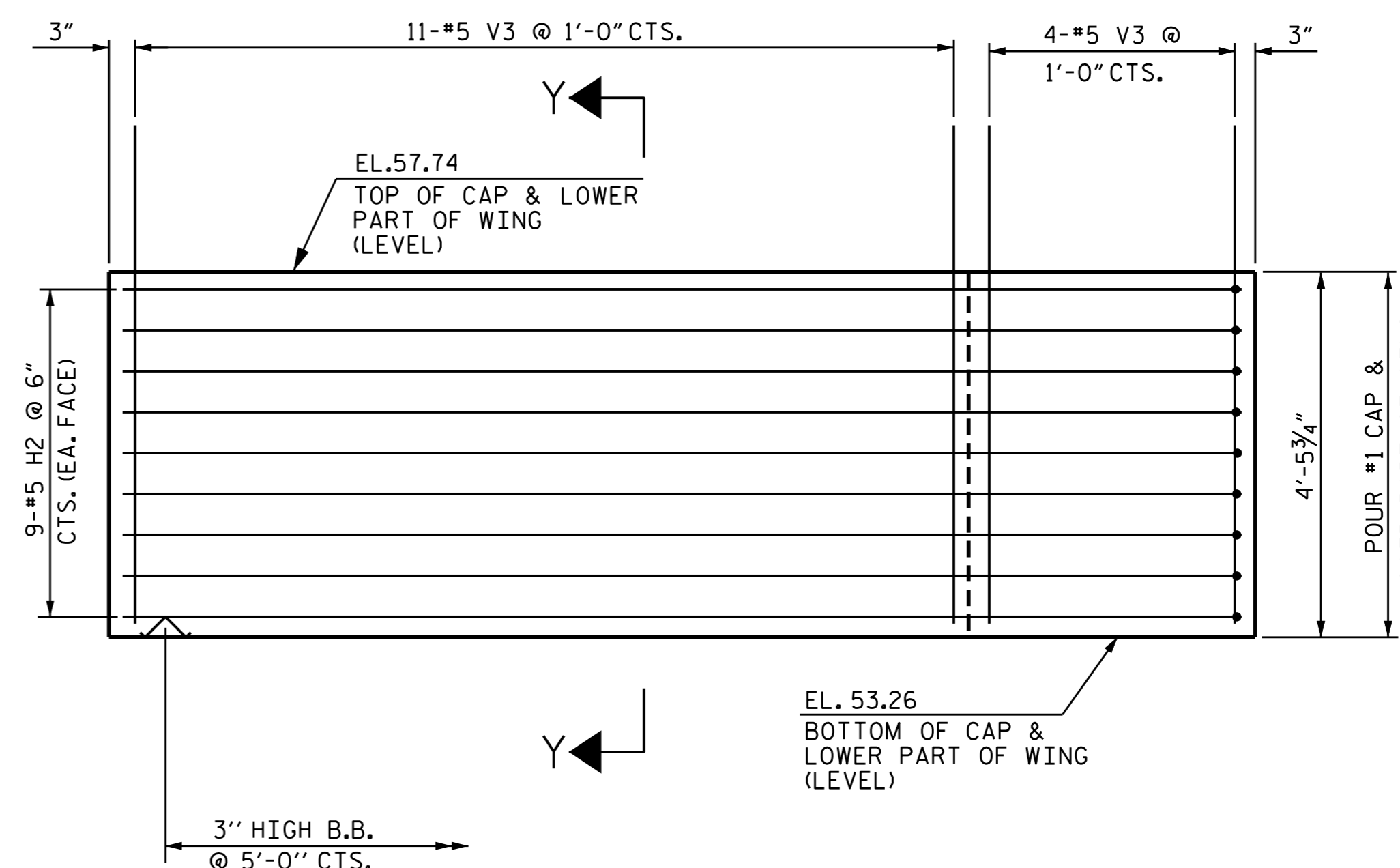
PLAN OF WING (W2)



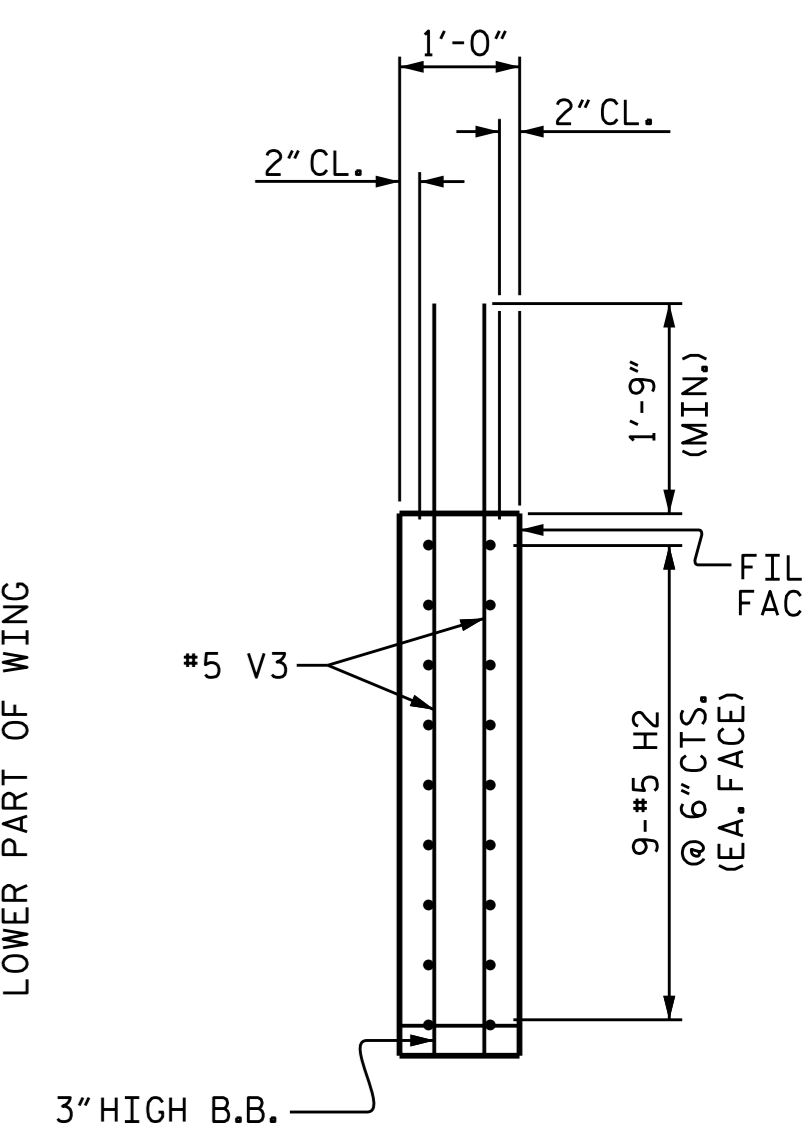
ELEVATION OF WING (W1)



SECTION X-X



ELEVATION OF WING (W2)

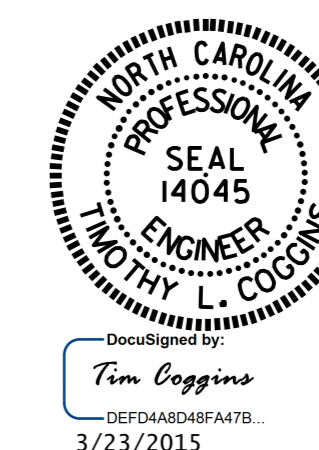


SECTION Y-Y

PROJECT NO. R-2514D
 JONES-CRAVEN COUNTY
 STATION: 28+29.35 -Y10-

SHEET 2 OF 3

STATE OF NORTH CAROLINA
 DEPARTMENT OF TRANSPORTATION
 RALEIGH
 SUBSTRUCTURE
 INTEGRAL END BENT 1
 (LEFT LANE)



DRAWN BY: GHOLAMREZA KOUCHEKI DATE: 4/25/14
 CHECKED BY: K.P. SEDAI DATE: 5/19/14
 DESIGN ENGINEER OF RECORD: GHOLAMREZA KOUCHEKI DATE: 02/2015

REVISIONS						SHEET NO.
NO.	BY:	DATE:	NO.	BY:	DATE:	S15-021
1			3			TOTAL SHEETS
2			4			30