

**NOTES**

AT ALL FIXED POINTS OF SUPPORT, NUTS FOR ANCHOR BOLTS ARE TO BE TIGHTENED FINGER TIGHT AND THEN BACKED OFF 1/2 TURN. THE THREAD OF THE NUT AND BOLT SHALL THEN BE BURRED WITH A SHARP POINTED TOOL.

STEEL SOLE PLATES, ANCHOR BOLTS, NUTS, AND WASHERS SHALL BE GALVANIZED IN ACCORDANCE WITH THE STANDARD SPECIFICATIONS.

PRIOR TO WELDING, GRIND THE GALVANIZED SURFACE OF THE PORTION OF THE EMBEDDED PLATE AND SOLE PLATE THAT ARE TO BE WELDED. AFTER WELDING, DAMAGED GALVANIZED SURFACES SHALL BE REPAIRED IN ACCORDANCE WITH THE STANDARD SPECIFICATIONS.

WHEN WELDING THE SOLE PLATE TO THE EMBEDDED PLATE IN THE GIRDER, USE TEMPERATURE INDICATING WAX PENS, OR OTHER SUITABLE MEANS, TO ENSURE THAT THE TEMPERATURE OF THE SOLE PLATE DOES NOT EXCEED 300°F. TEMPERATURES ABOVE THIS MAY DAMAGE THE ELASTOMER.

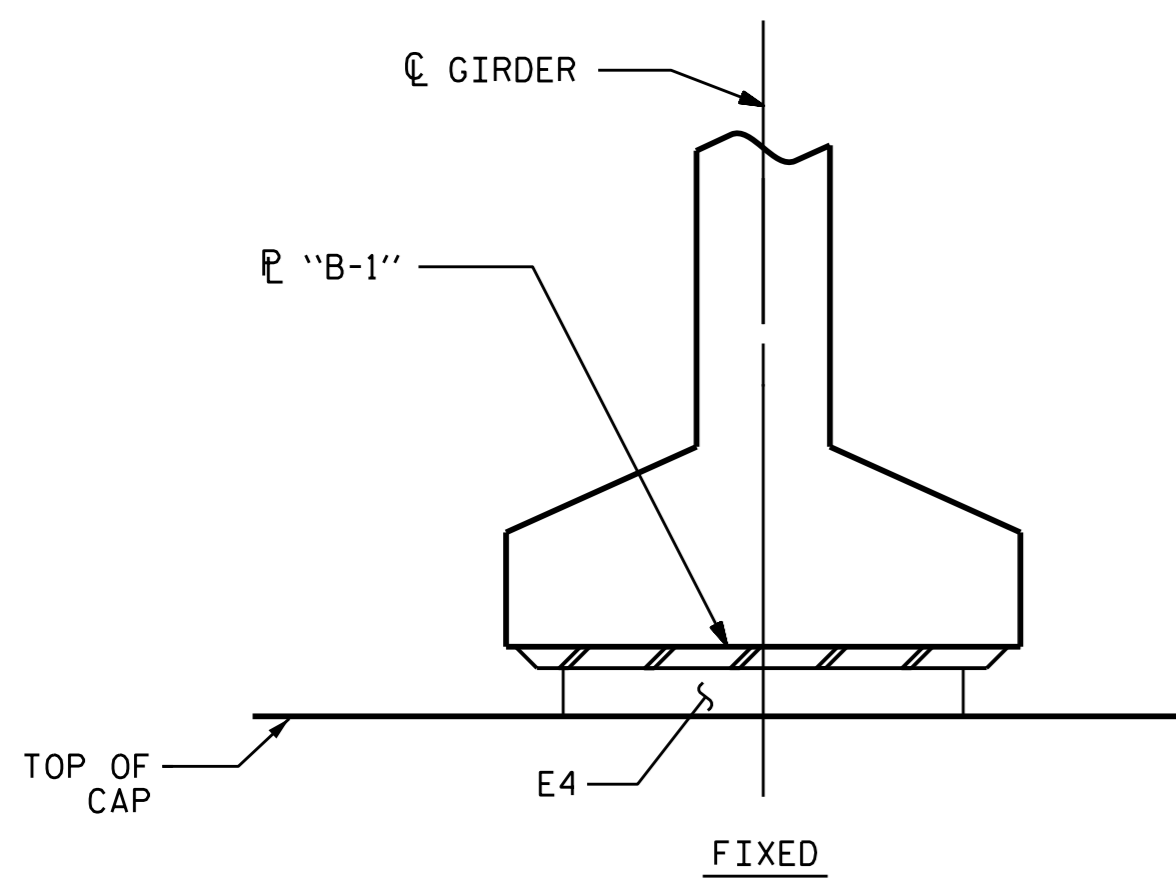
SOLE PLATE "P", BOLTS, NUTS, WASHERS, AND PIPE SLEEVE SHALL BE INCLUDED IN THE PAY ITEM FOR PRESTRESSED CONCRETE GIRDERS.

ANCHOR BOLTS SHALL MEET THE REQUIREMENTS OF ASTM A449. NUTS SHALL MEET THE REQUIREMENTS OF AASHTO M291-DH OR AASHTO M292-2H. WASHERS SHALL MEET THE REQUIREMENTS OF AASHTO M293. NO SHOP DRAWINGS ARE REQUIRED FOR ANCHOR BOLTS, NUTS AND WASHERS. SHOP INSPECTION IS REQUIRED.

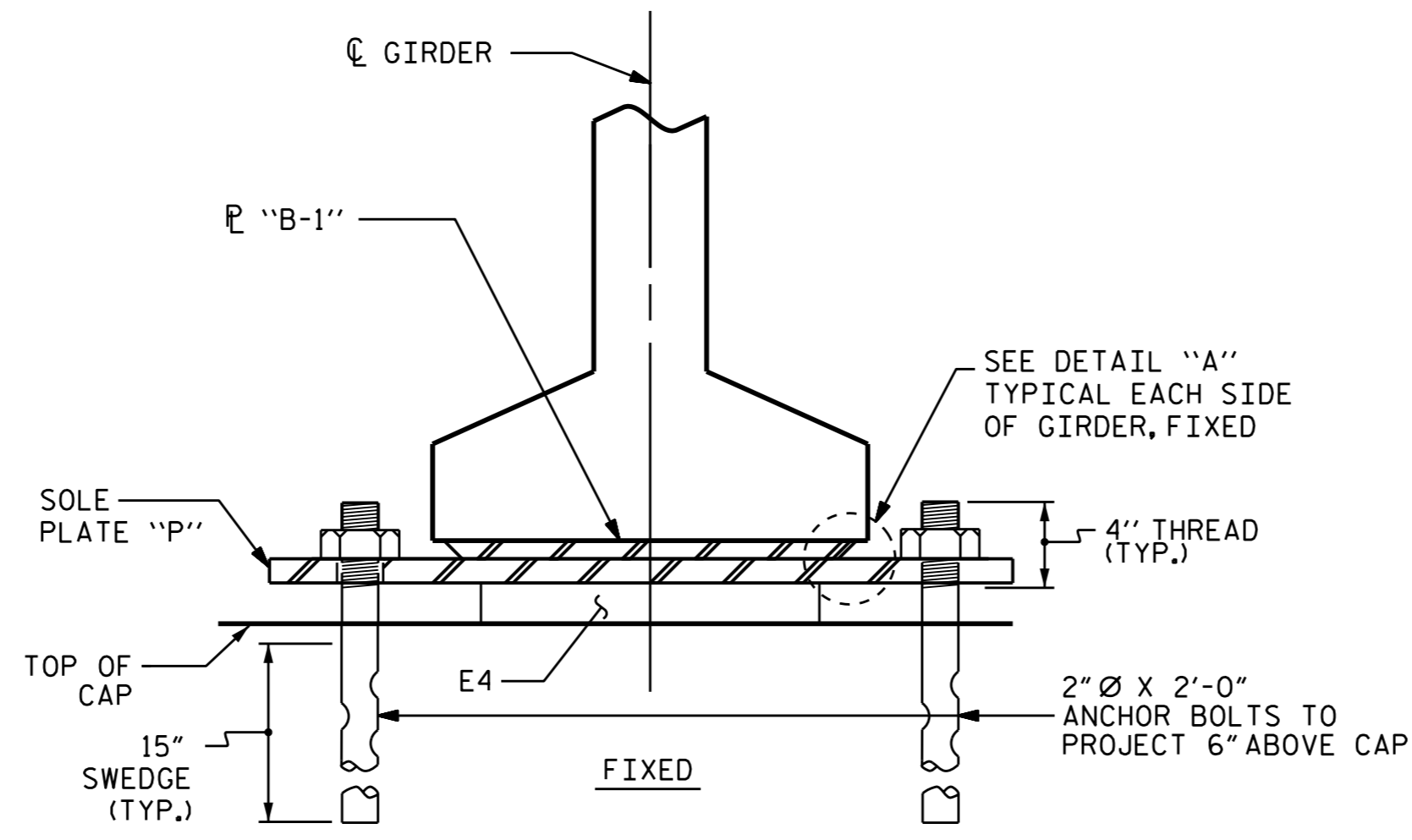
ALL SURFACES OF BEARING PLATES SHALL BE SMOOTH AND STRAIGHT.

THE ELASTOMER IN THE STEEL REINFORCED BEARINGS SHALL HAVE A SHEAR MODULUS OF 0.160 KSI, IN ACCORDANCE WITH AASHTO M251.

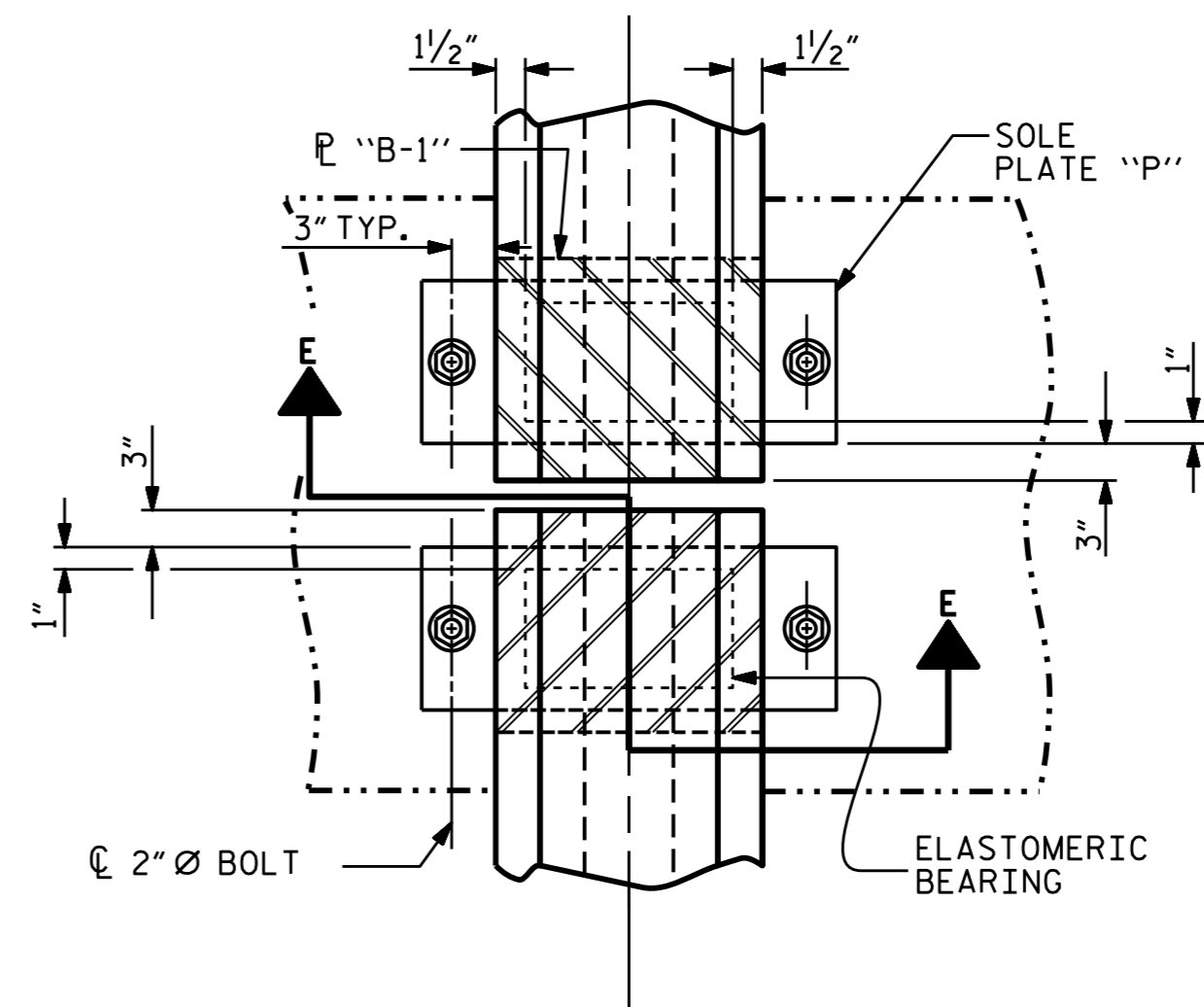
FOR STEEL REINFORCED ELASTOMERIC BEARINGS, SEE SPECIAL PROVISIONS.



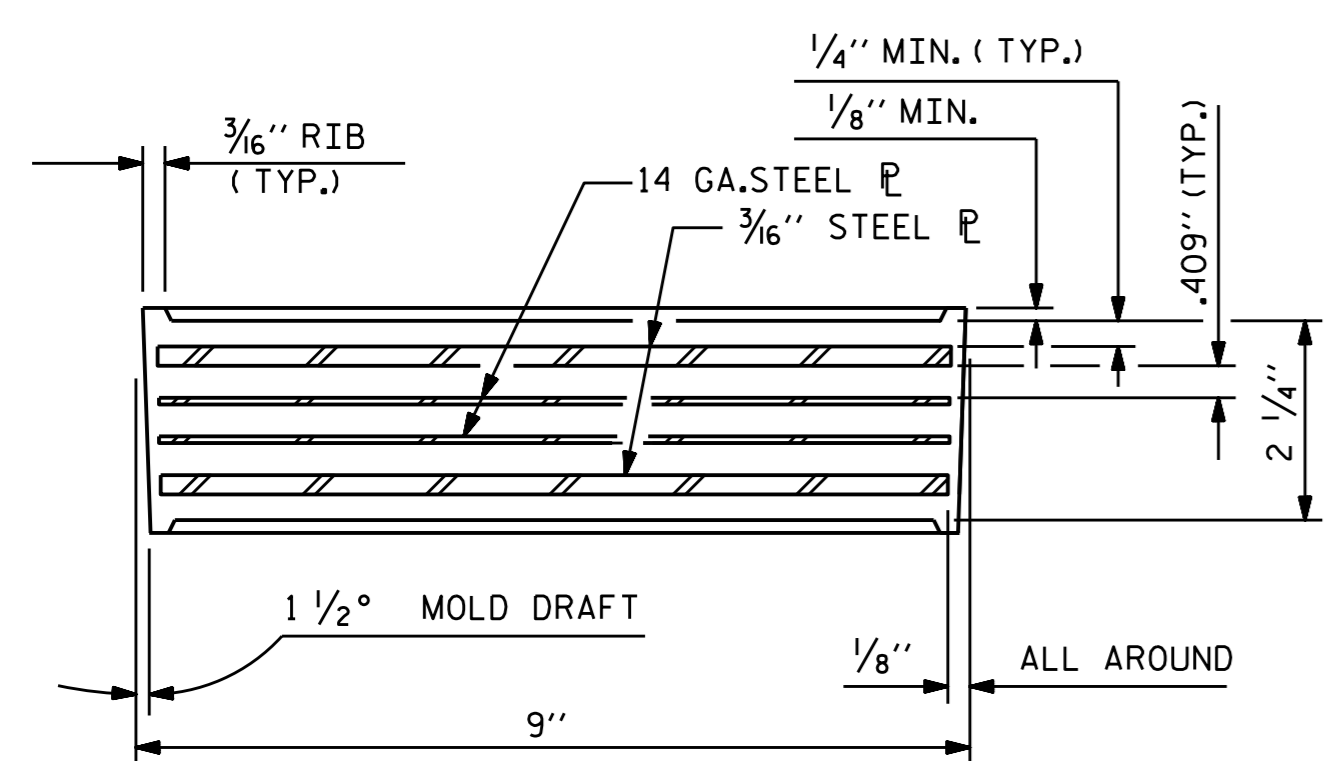
**SECTION @ END BENT**  
SHOWING SECTION AT END BENT



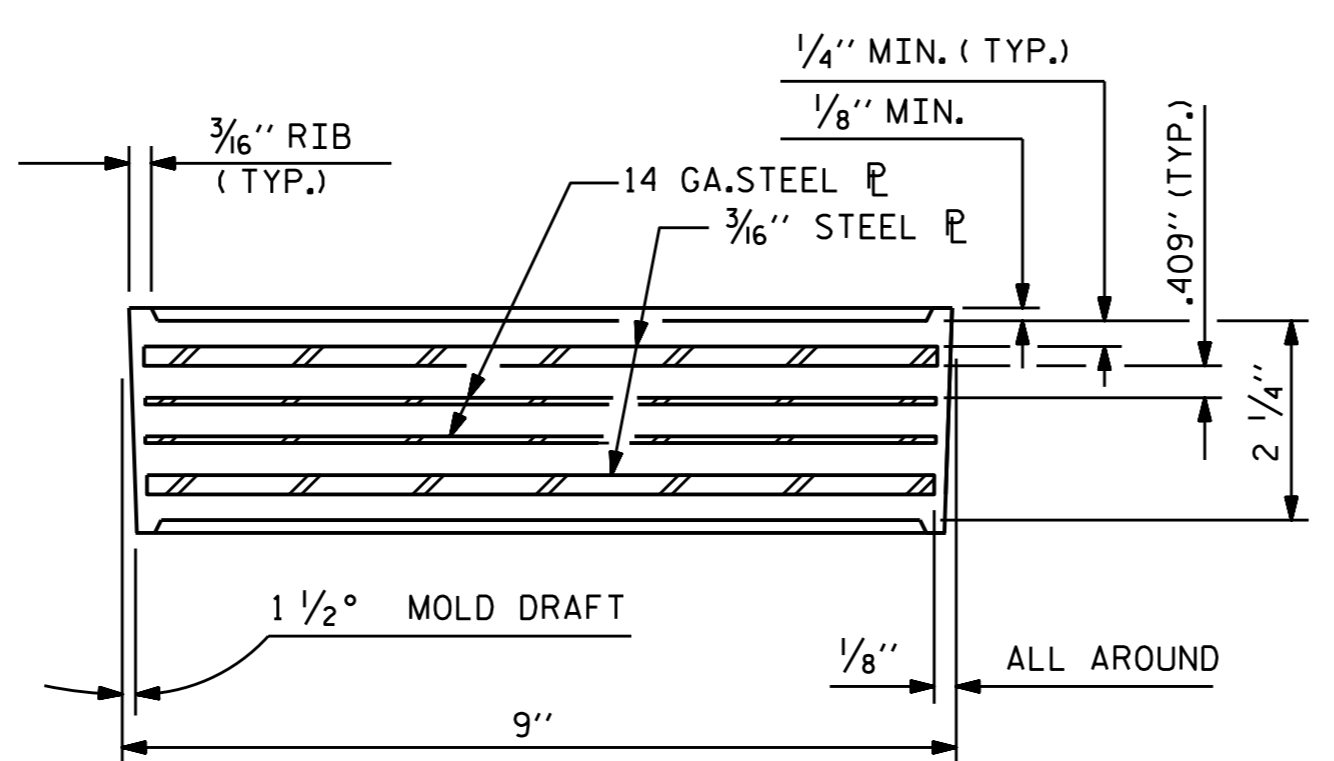
**SECTION E-E**  
SHOWING SECTION AT BENT



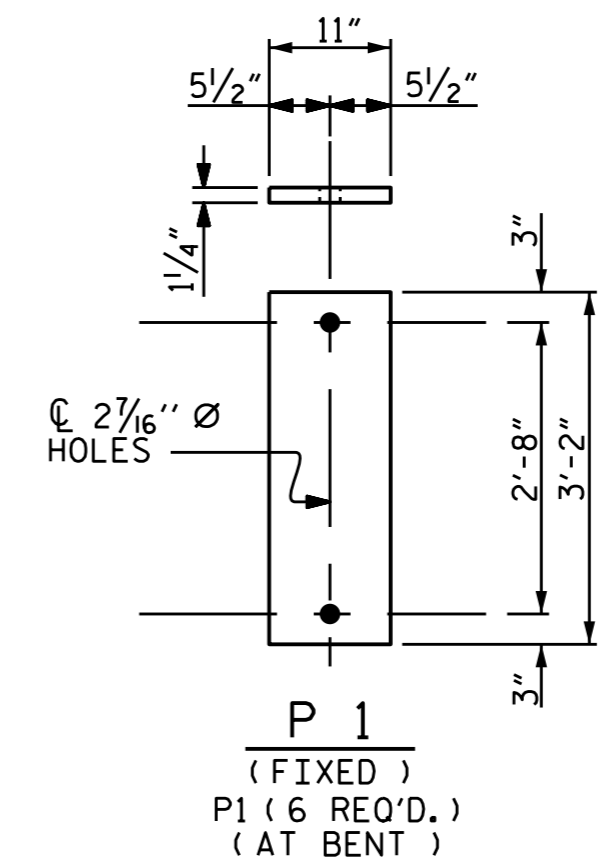
**TYPICAL PLAN**  
(SHOWING CONTINUOUS BENT)



**TYPICAL SECTION OF ELASTOMERIC BEARINGS**

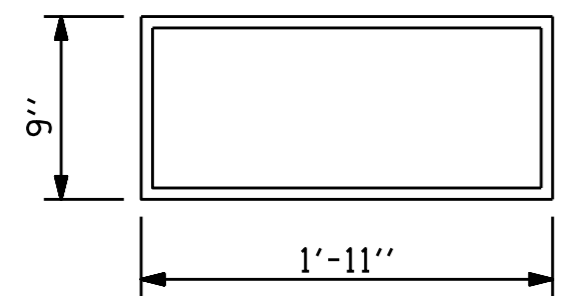


**TYPICAL SECTION OF ELASTOMERIC BEARINGS**

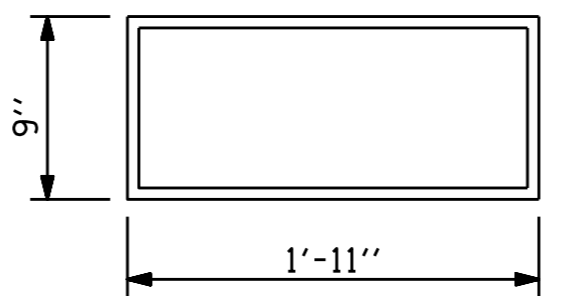


**SOLE PLATE DETAILS ("P")**

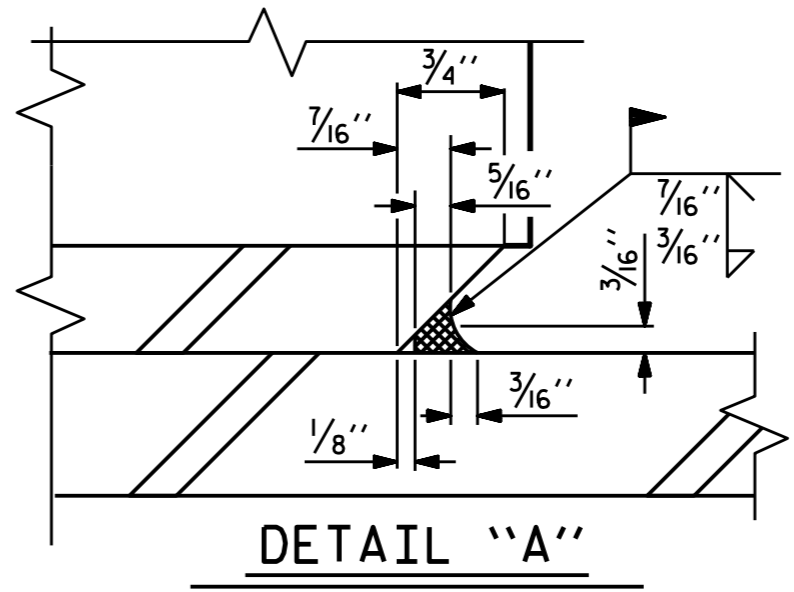
LOAD RATINGS	
D.L.+L.L. (NO IMPACT)	
TYPE V	365 k



**E4 (6 REQ'D.)**  
**PLAN VIEW OF ELASTOMERIC BEARING**  
**TYPE V**  
(AT END BENTS)



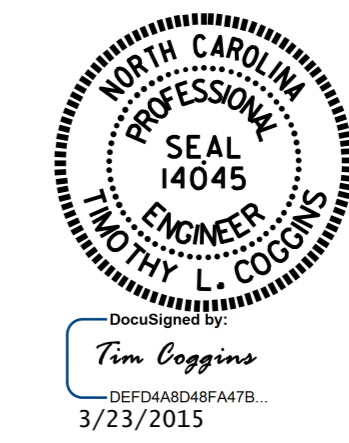
**E4 (6 REQ'D.)**  
**PLAN VIEW OF ELASTOMERIC BEARING**  
**TYPE V**  
(AT BENT)



**DETAIL "A"**

PROJECT NO. R-2514D  
JONES & CRAVEN COUNTY  
STATION: 28+29.35 -Y10-

ASSEMBLED BY :	M.D.PISO	DATE : 09-18-14
CHECKED BY :	K.D.SEDAI	DATE : 09-24-14
DESIGN ENGINEER OF RECORD :	R.KOUICHEKI	DATE : 02/2015
DRAWN BY :	EEM 2/97	REV. 10/1/11 MAA/GM
CHECKED BY :	VAP 2/97	REV. 6/13 AAC/MAA
		REV. 1/15 MAA/TMG



STATE OF NORTH CAROLINA  
DEPARTMENT OF TRANSPORTATION  
RALEIGH  
**STANDARD ELASTOMERIC BEARING DETAILS**  
PRESTRESSED CONCRETE GIRDER SUPERSTRUCTURE (LEFT LANE)

REVISIONS						SHEET NO.
NO.	BY:	DATE:	NO.	BY:	DATE:	S15-016
1			3			TOTAL SHEETS
2			4			30