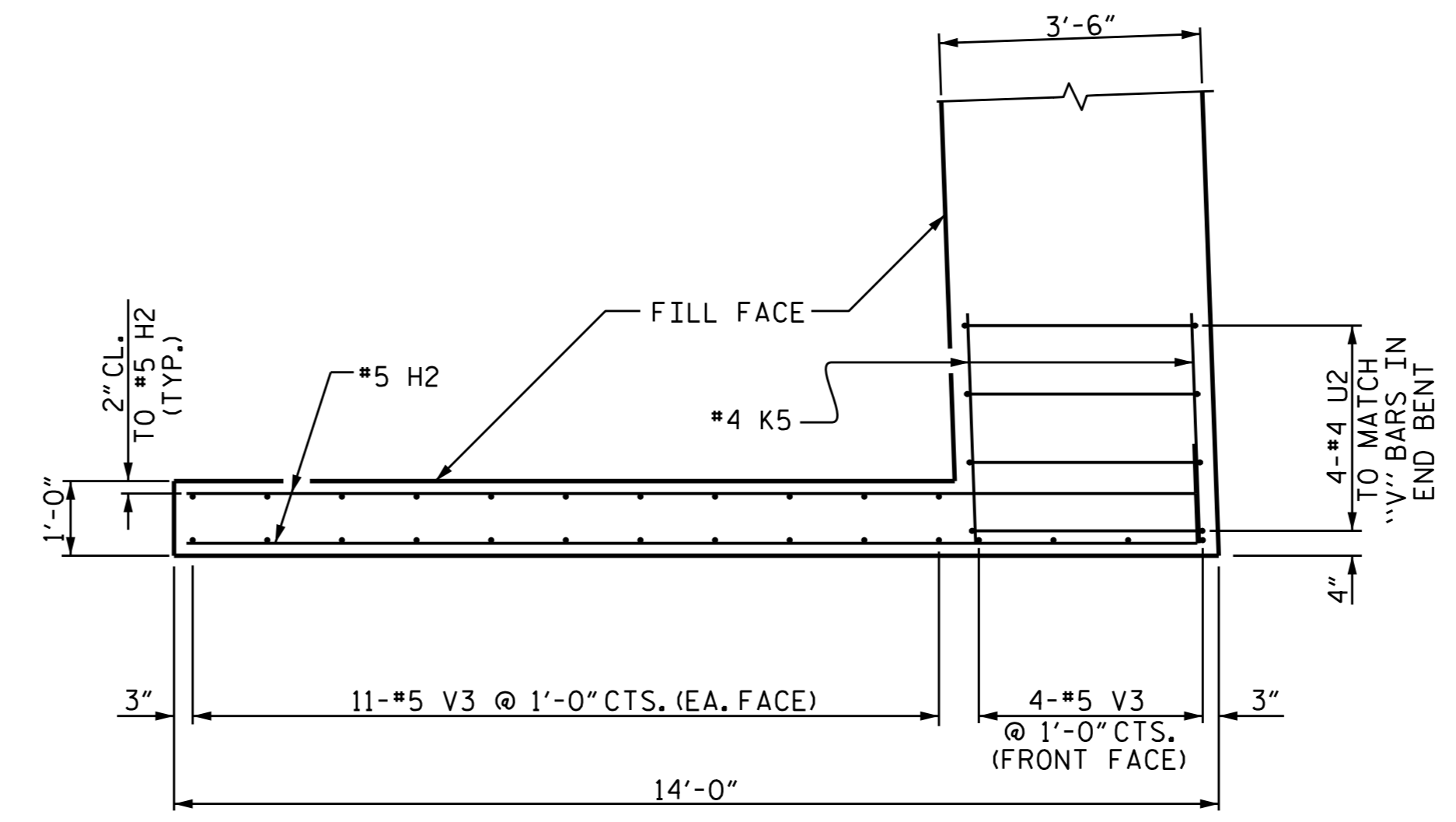
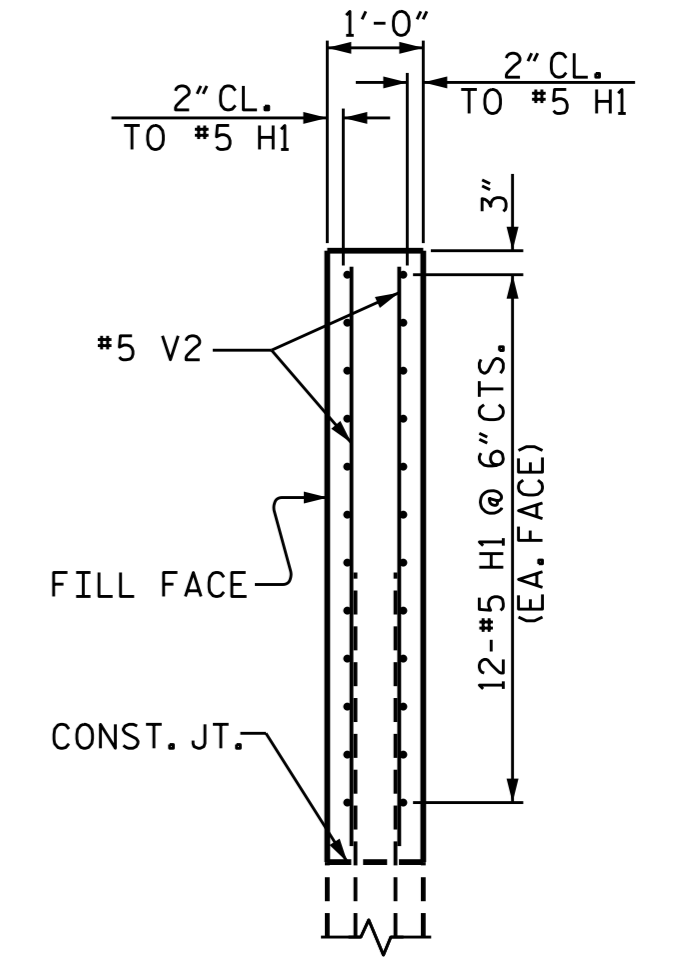


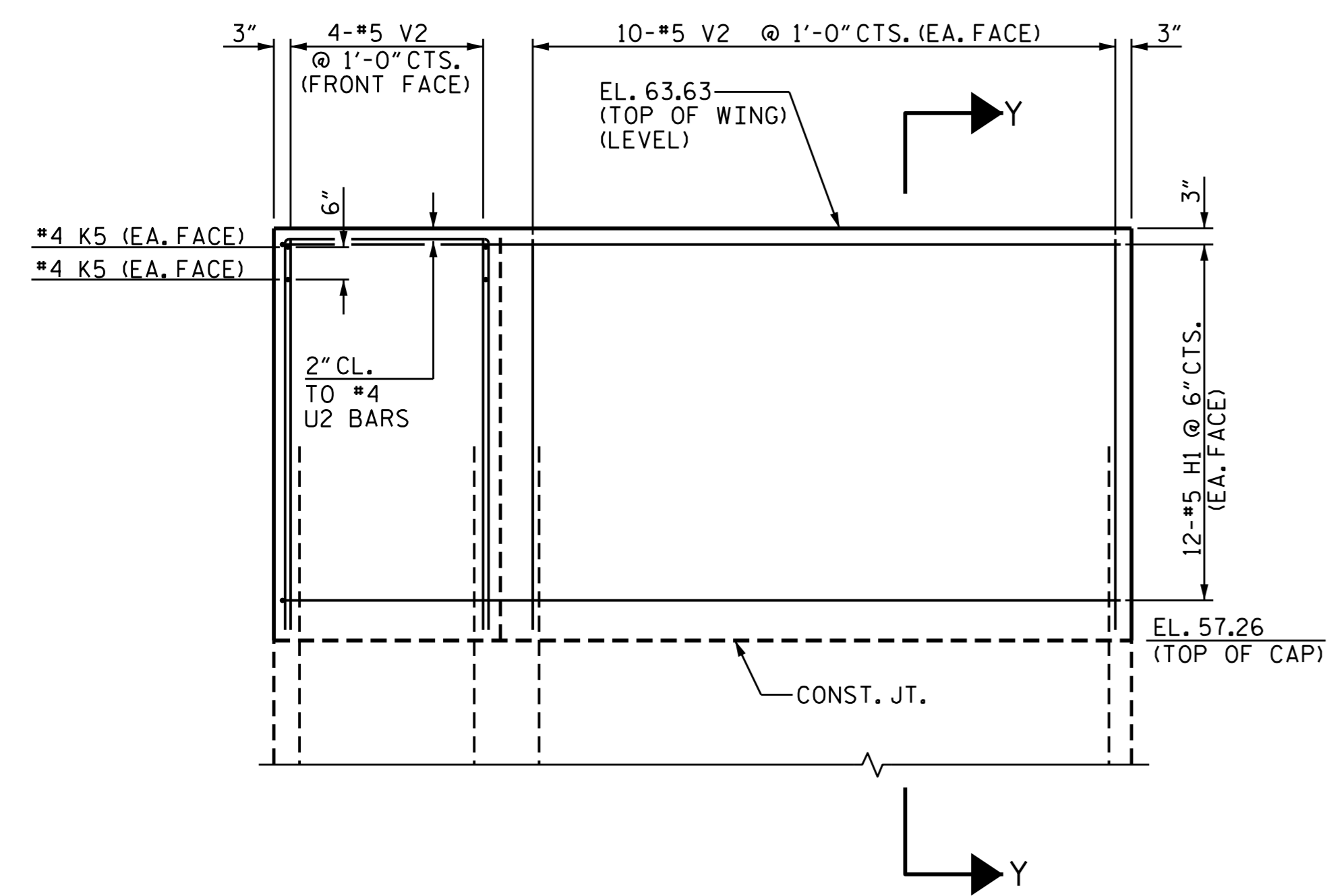
PLAN (W1)



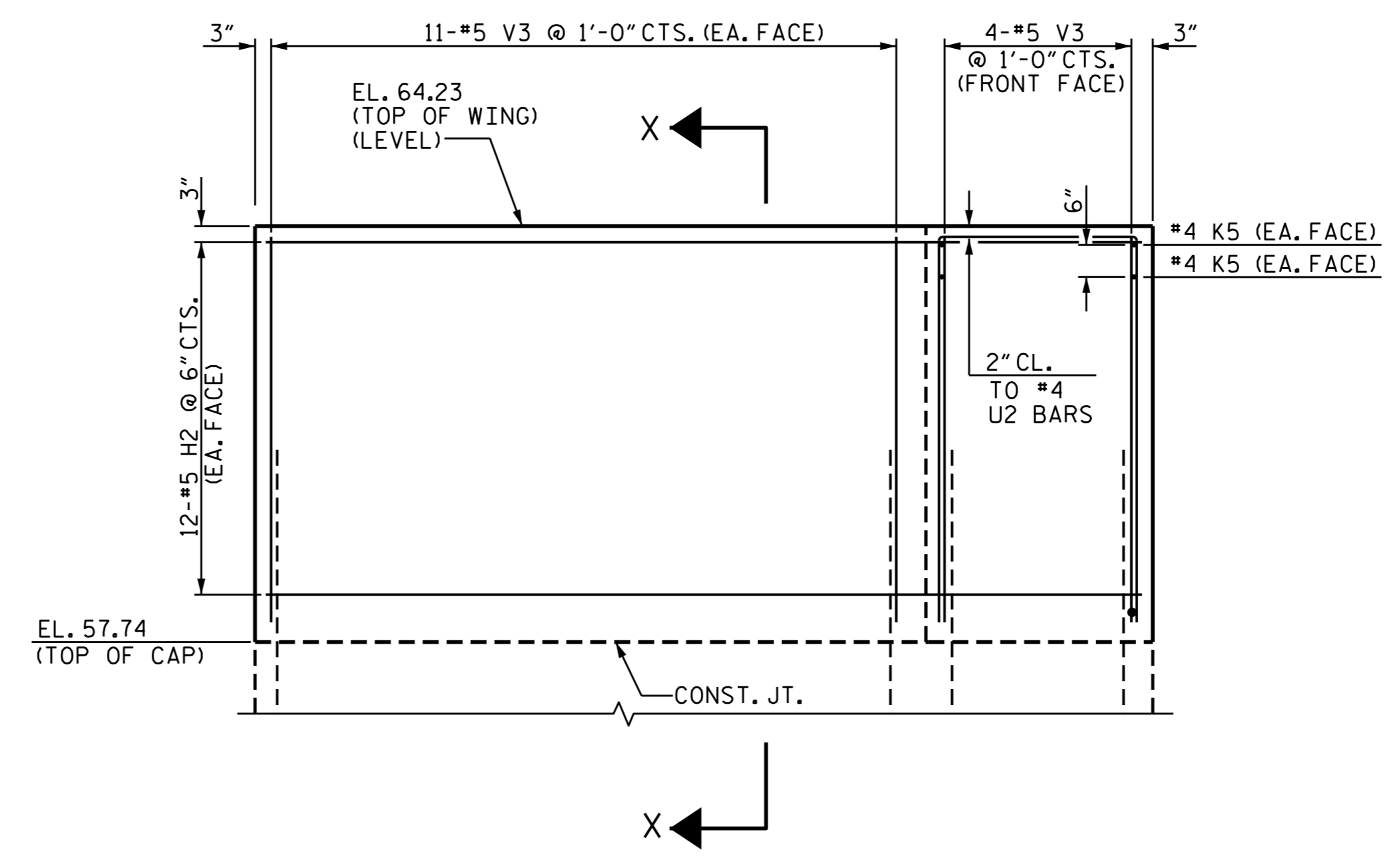
PLAN (W2)



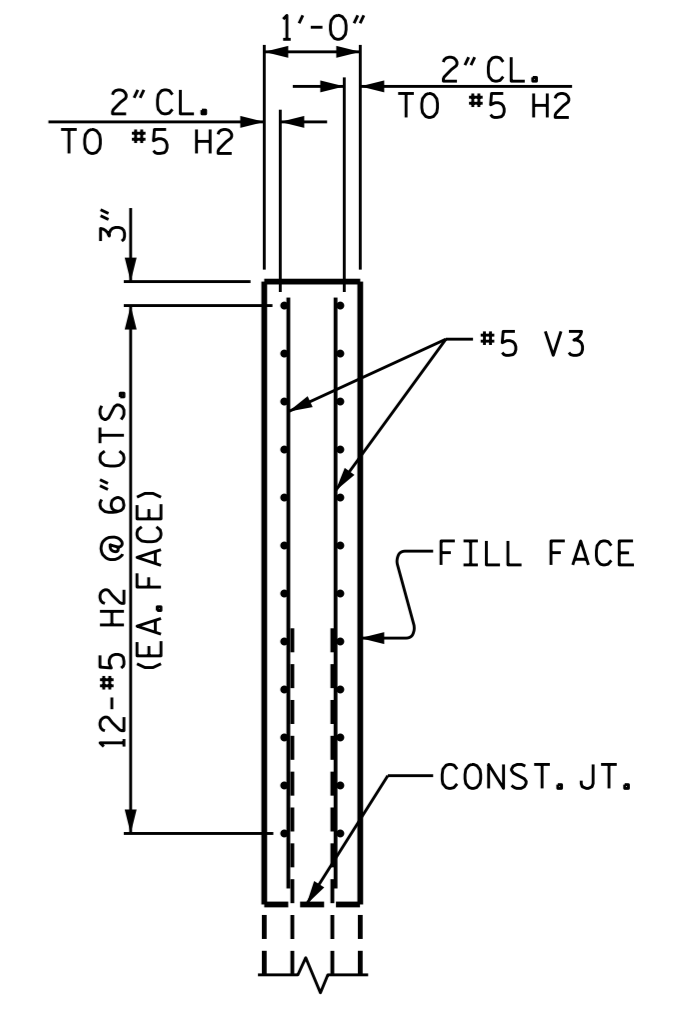
SECTION Y-Y



ELEVATION (W1)



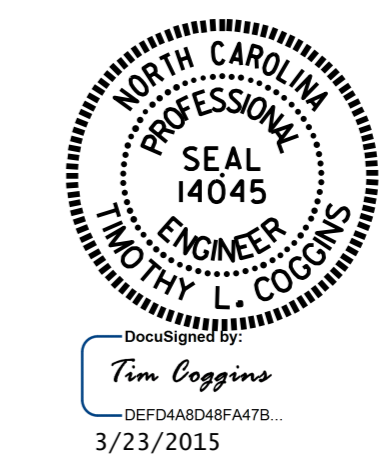
ELEVATION (W2)



SECTION X-X

PROJECT NO. R-2514D
 JONES & CRAVEN COUNTY
 STATION: 28+29.35 -Y10-

SHEET 3 OF 4



STATE OF NORTH CAROLINA DEPARTMENT OF TRANSPORTATION RALEIGH						SHEET NO. S15-009	
SUPERSTRUCTURE PLAN OF SPAN DETAILS (LEFT LANE)						TOTAL SHEETS 30	
REVISIONS							
NO.	BY:	DATE:	NO.	BY:	DATE:		
1			3				
2			4				

DRAWN BY: M.D.PISO DATE: 07-22-13
 CHECKED BY: K.P.SEDAI DATE: 08-04-14
 DESIGN ENGINEER OF RECORD: R.KOUICHEKI DATE: 02/2015