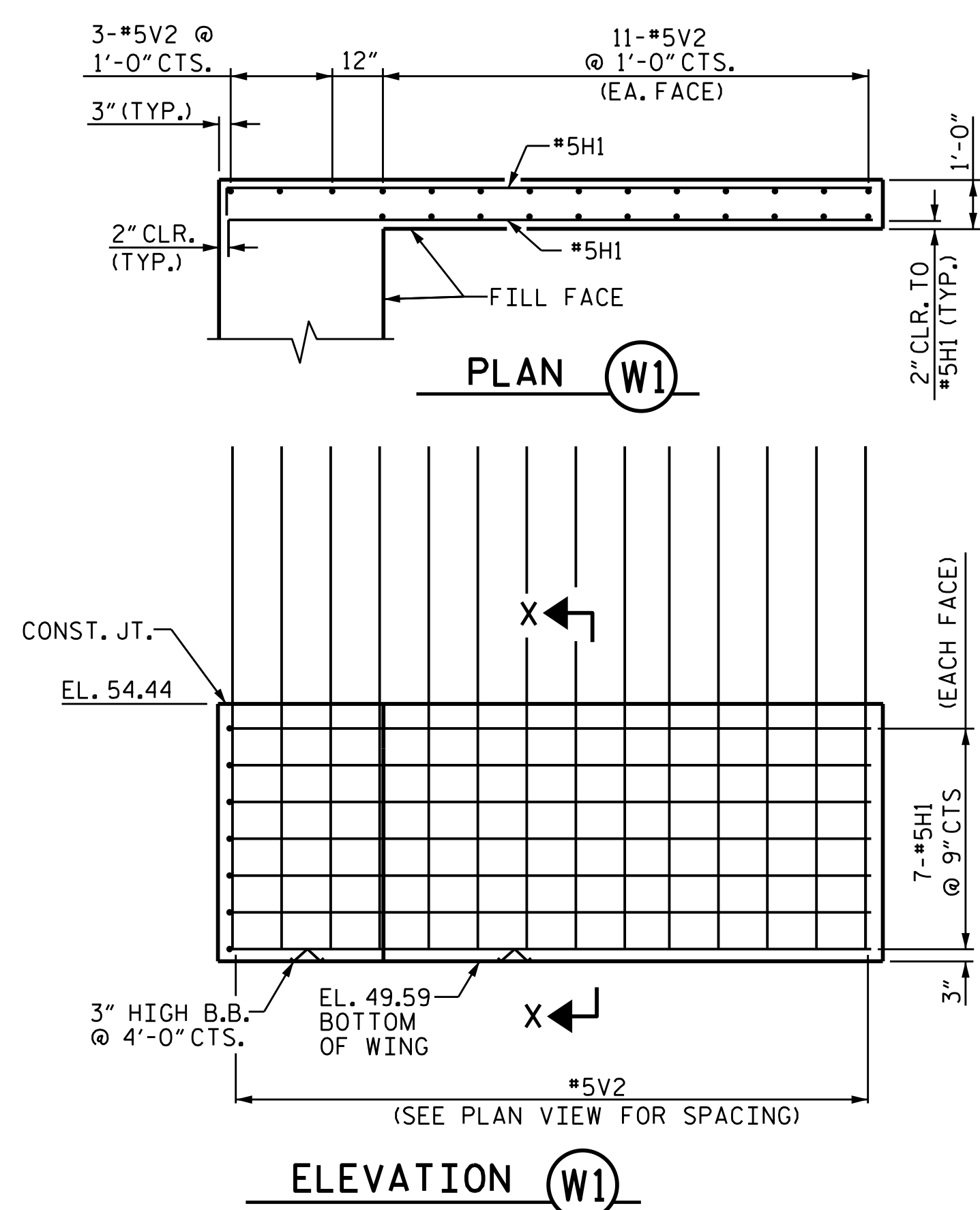
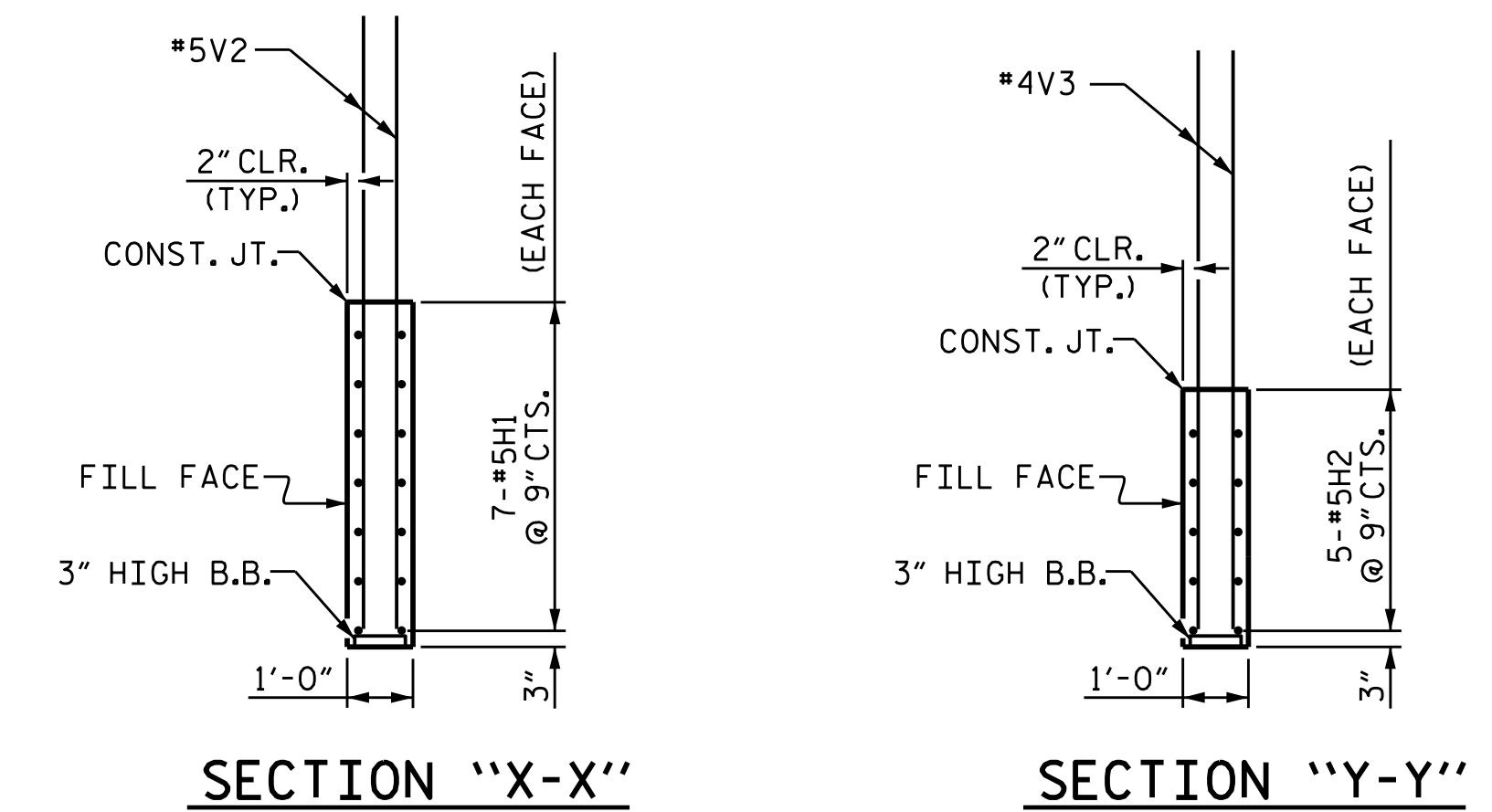


END BENT NO. 1



END BENT NO. 2



PROJECT NO. R-2514D
JONES COUNTY
 STATION: 561+15.20 -L-
=17+04.80 -Y7-
 SHEET 5 OF 5

DocuSigned by:
 Mark Gustafson
 9E00EDB87408456...
 3/23/2015

PLAN PREPARED BY:

ALPHA & OMEGA GROUP
 CIVIL & STRUCTURAL ENGINEERS
 4601 Lake Boone Trail, Ste. 3C Raleigh, NC 27607
 Phone 919 981 0310 Fax 919 981 0451
 Firm License No. C-1684 www.aogroup.com
 A&O PROJECT NO. 2013.044

STATE OF NORTH CAROLINA
 DEPARTMENT OF TRANSPORTATION
 RALEIGH
 SUBSTRUCTURE
 BOTTOM OF WINGS
 END BENT NO. 1
 & END BENT NO. 2
 RIGHT LANE

REVISIONS						SHEET NO.
NO.	BY:	DATE:	NO.	BY:	DATE:	S14-19
1			3			TOTAL SHEETS
2			4			21

DRAWN BY : JD GOODIN DATE : 5/16/14
 CHECKED BY : MEG / JWT DATE : 6/23/14
 QC / QA BY : TG ZEBLO DATE : 7/7/14

STRUCTURE NO. 14