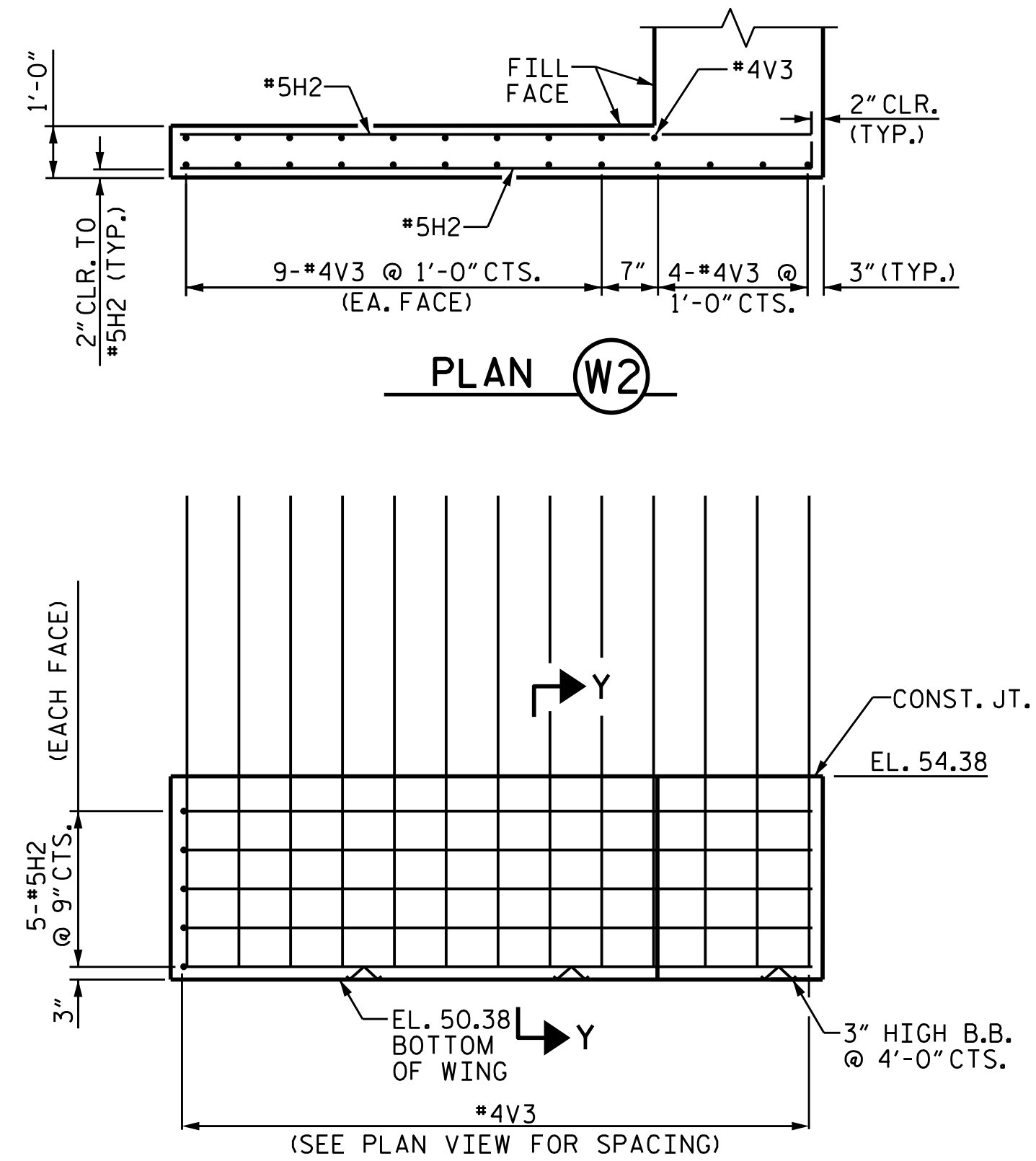
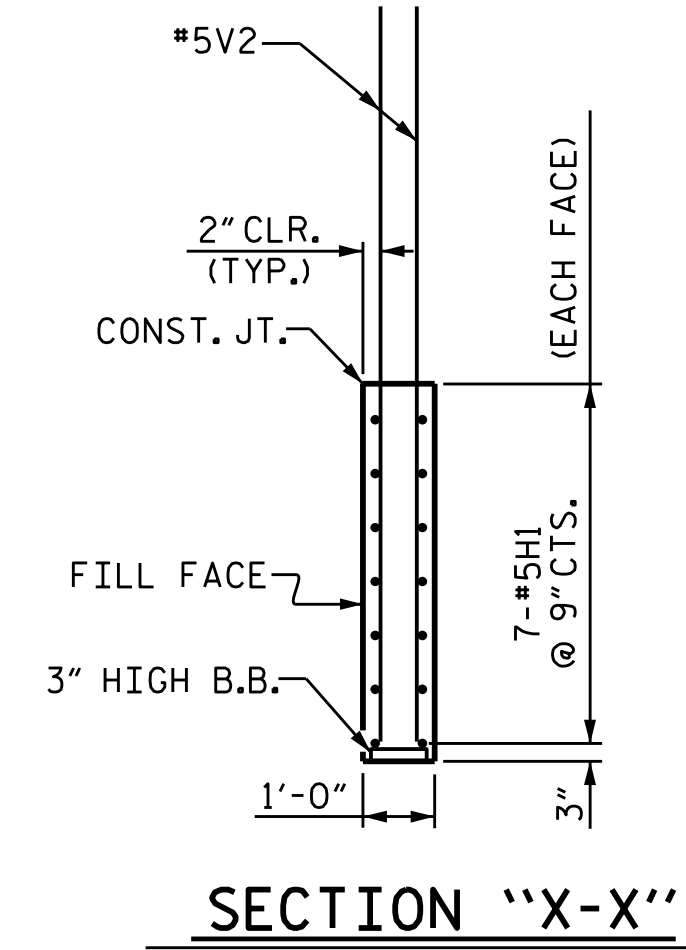


ELEVATION (W1)

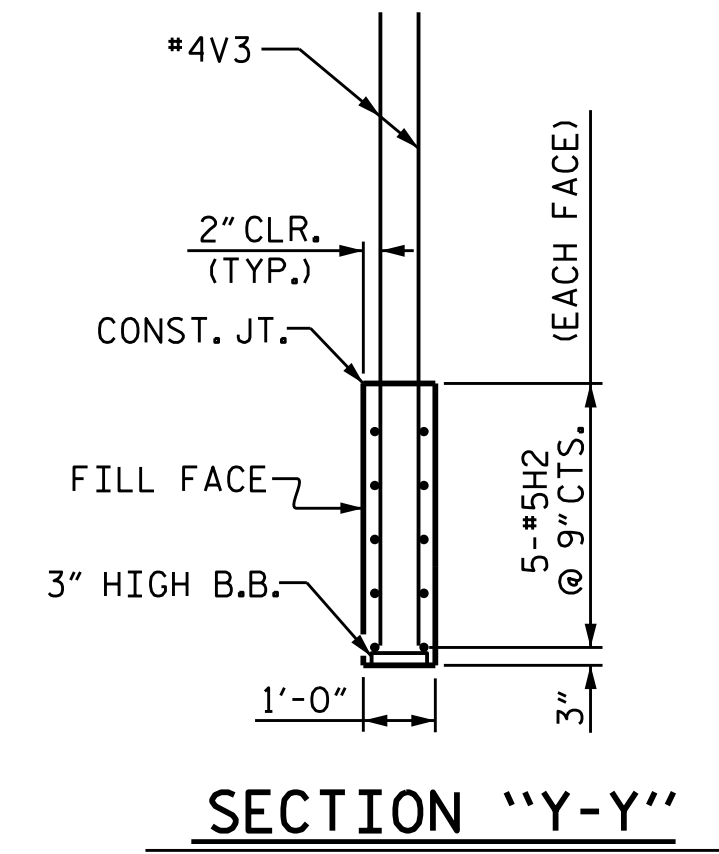


ELEVATION (W2)

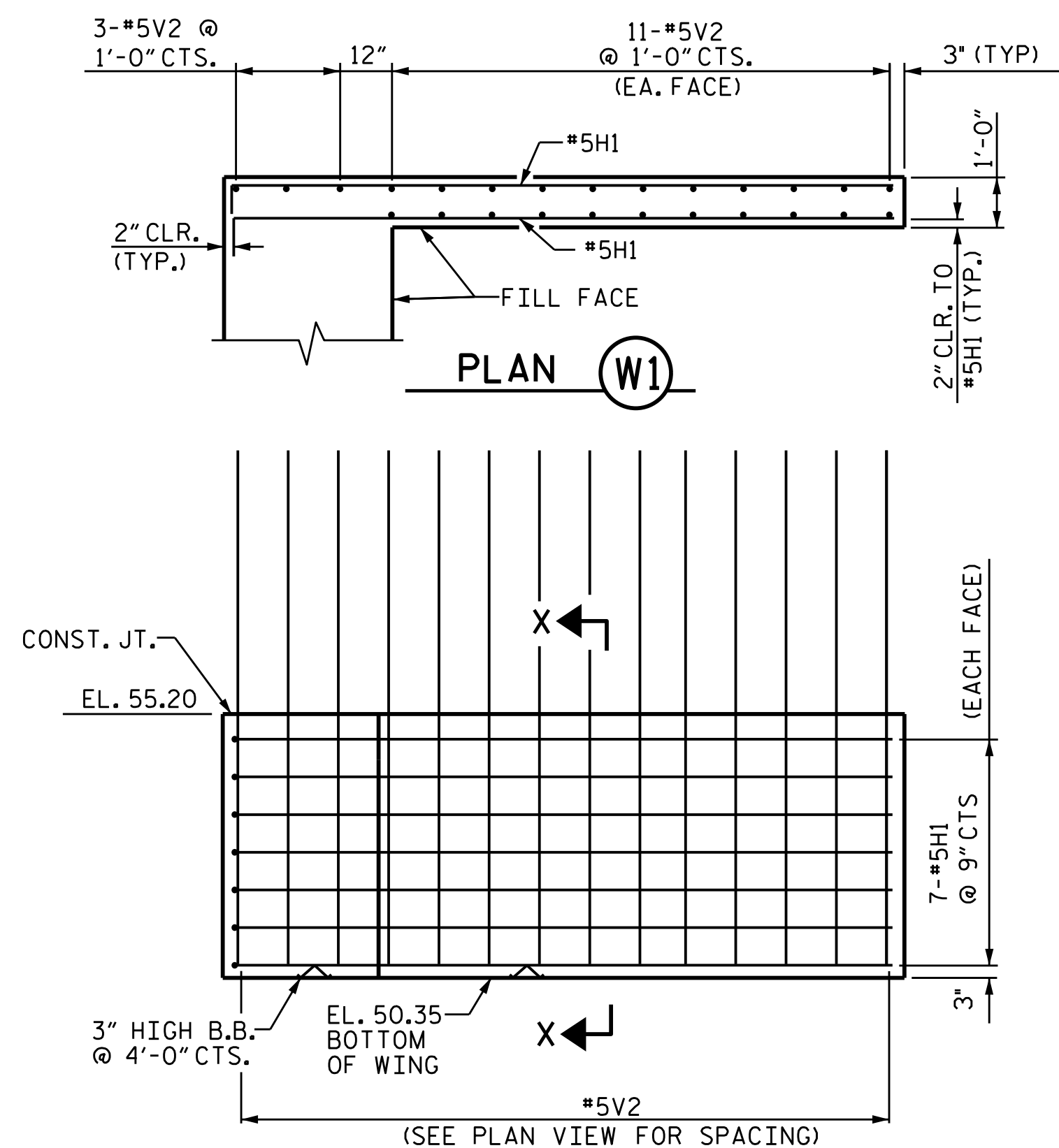
END BENT NO. 1



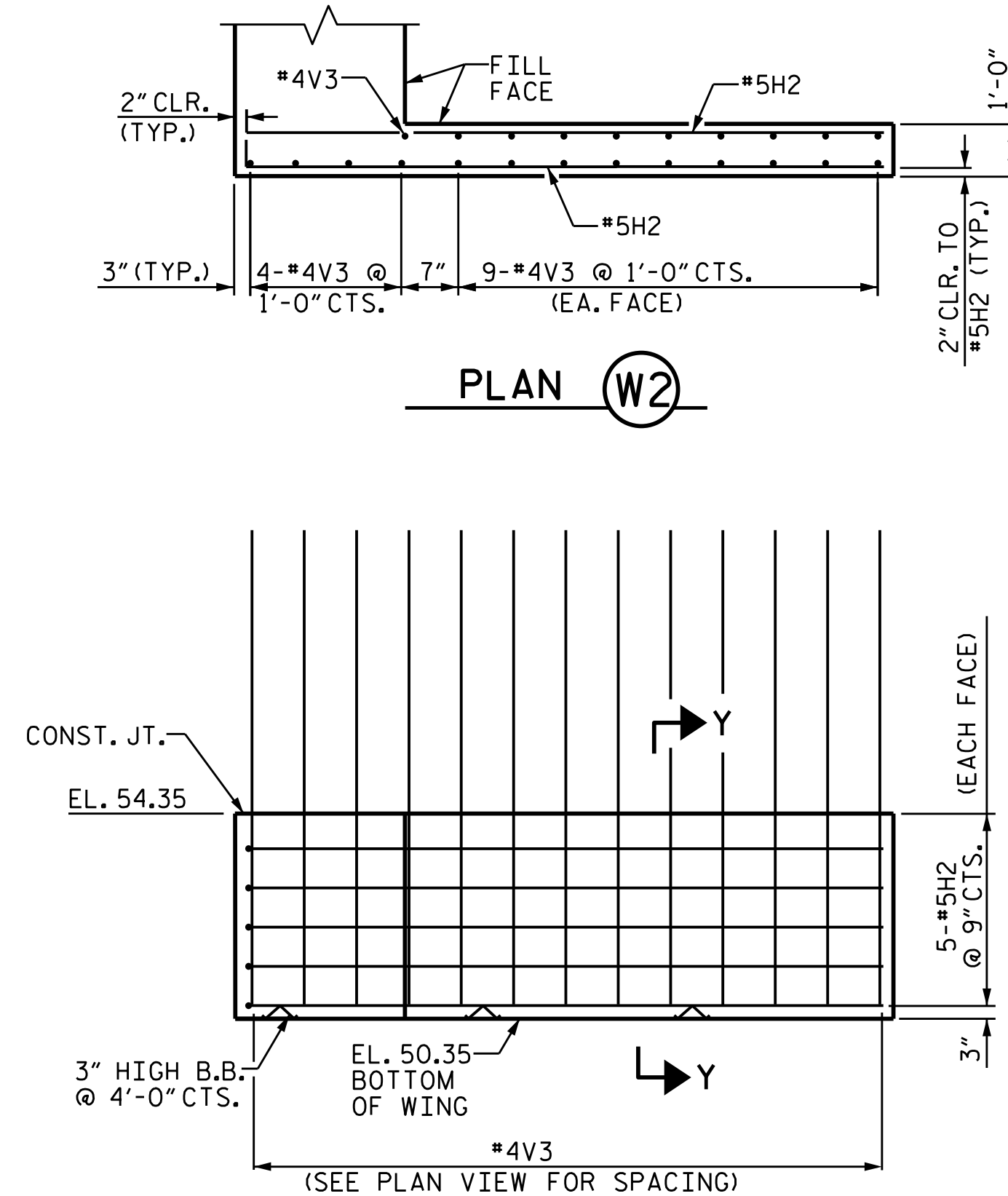
SECTION "X-X"



SECTION "Y-Y"

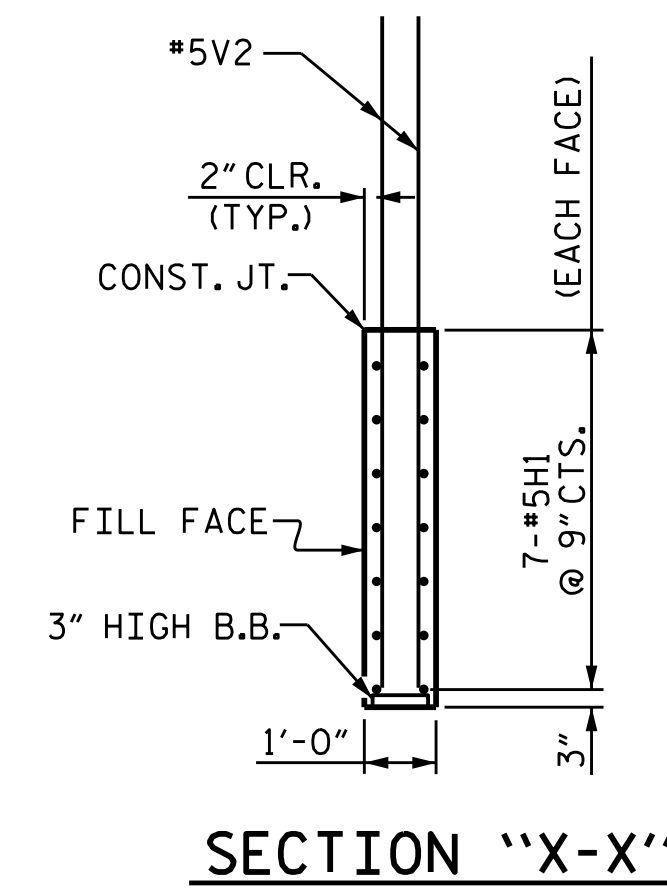


ELEVATION (W1)

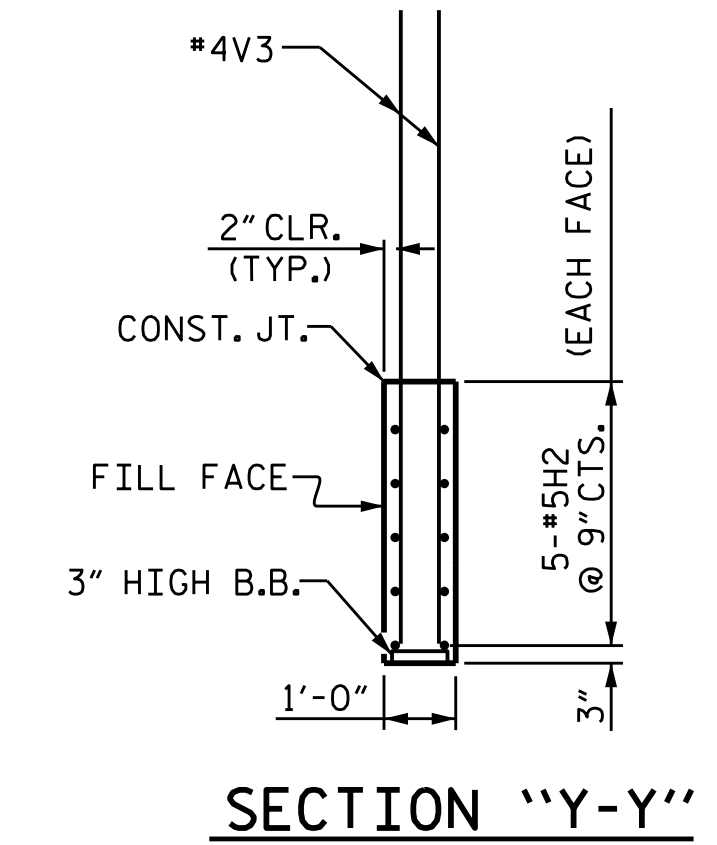


ELEVATION (W2)

END BENT NO. 2



SECTION "X-X"



SECTION "Y-Y"

PROJECT NO. R-2514D
 JONES COUNTY
 STATION: 561+15.20 -L-
 =17+04.80 -Y7-
 SHEET 5 OF 5

DocuSigned by:
 Mark Gustafson
 9E00EDB87408456...
 3/23/2015

PLAN PREPARED BY:

ALPHA & OMEGA GROUP
 CIVIL & STRUCTURAL ENGINEERS
 4601 Lake Boone Trail, Ste. 3C Raleigh, NC 27607
 Phone 919 981 0310 Fax 919 981 0451
 Firm License No. C-1684 www.aogroup.com
 A&O PROJECT NO. 2013.044

STATE OF NORTH CAROLINA
 DEPARTMENT OF TRANSPORTATION
 RALEIGH
 SUBSTRUCTURE
 BOTTOM OF WINGS
 END BENT NO. 1
 & END BENT NO. 2
 LEFT LANE

REVISIONS						SHEET NO.
NO.	BY:	DATE:	NO.	BY:	DATE:	13-19
1			3			TOTAL SHEETS
2			4			21

DRAWN BY: JD GOODIN DATE: 5/16/14
 CHECKED BY: MEG / HMS DATE: 6/23/14
 QC / QA BY: TG ZEBLO DATE: 7/7/14