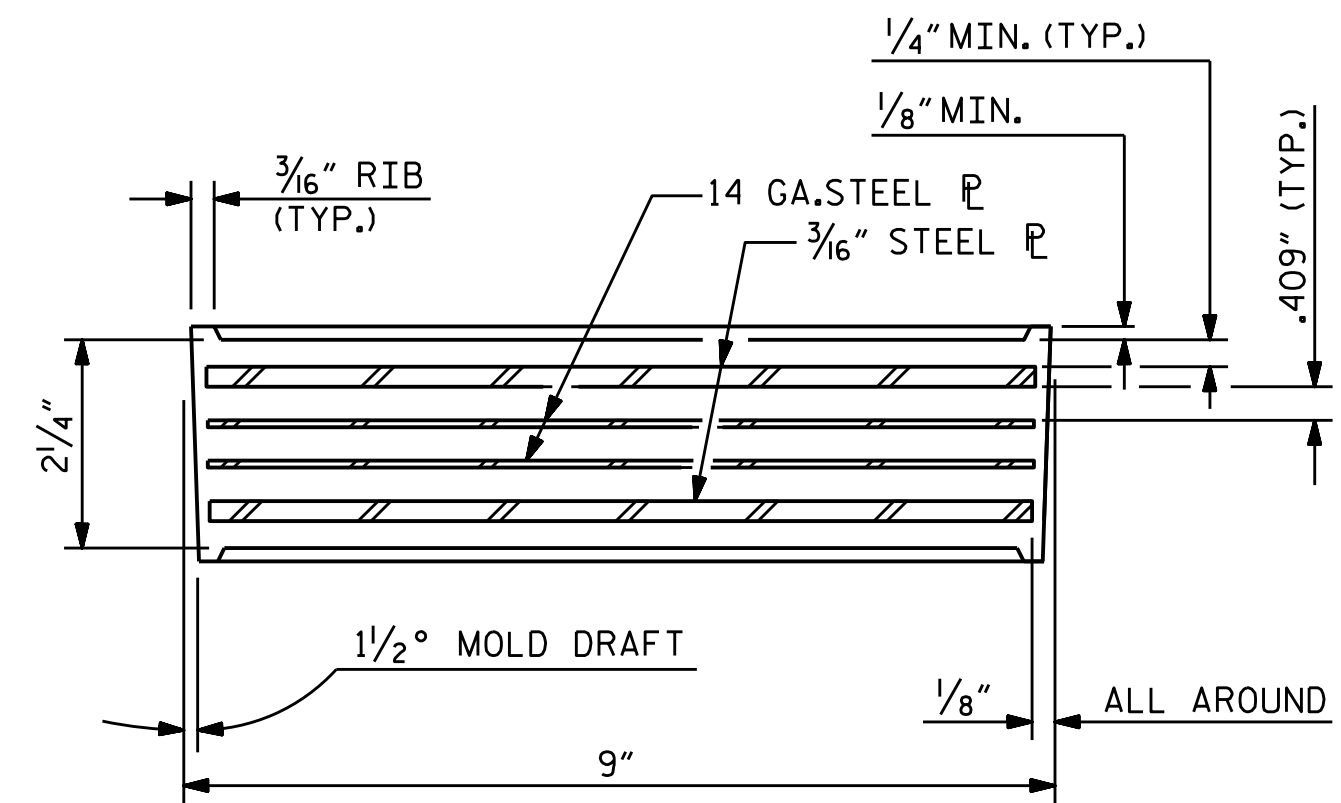
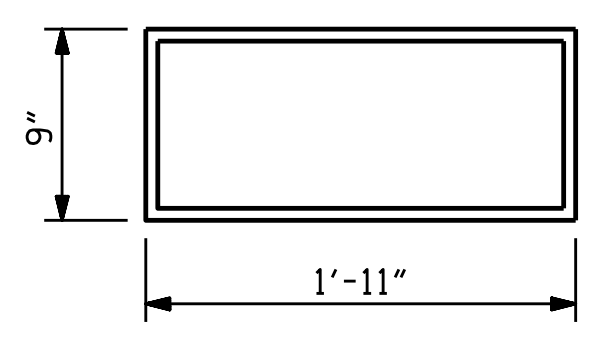


SECTION "E-E"



TYPICAL SECTION OF ELASTOMERIC BEARINGS



E4 (8 REQ'D)  
PLAN VIEW OF ELASTOMERIC BEARING  
TYPE V

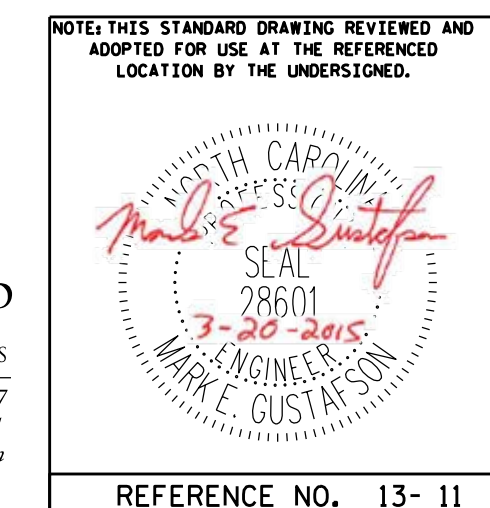
NOTES

THE ELASTOMER IN THE STEEL REINFORCED BEARINGS SHALL HAVE A SHEAR MODULUS OF 0.160 KSI, IN ACCORDANCE WITH AASHTO M251.  
FOR STEEL REINFORCED ELASTOMERIC BEARINGS, SEE SPECIAL PROVISIONS.

MAXIMUM ALLOWABLE SERVICE LOADS	
D.L.+L.L. (NO IMPACT)	
TYPE V	365 K

PROJECT NO. R-2514D  
JONES COUNTY  
STATION: 561+15.20 -L-  
=17+04.80 -Y7-

DocuSigned by:  
Mark Gustafson  
9E00EDB87408456...  
3/23/2015



STATE OF NORTH CAROLINA  
DEPARTMENT OF TRANSPORTATION  
RALEIGH

STANDARD  
TYPE V  
ELASTOMERIC BEARING  
DETAILS  
LEFT LANE

REVISIONS						SHEET NO.
NO.	BY:	DATE:	NO.	BY:	DATE:	TOTAL SHEETS
1			3			21
2			4			21

PLAN PREPARED BY:



ALPHA & OMEGA GROUP  
CIVIL & STRUCTURAL ENGINEERS  
4601 Lake Boone Trail, Ste. 3C Raleigh, NC 27607  
Phone 919 981 0310 Fax 919 981 0451  
Firm License No. C-1684 www.aogroup.com  
A&O PROJECT NO. 2013.044

DRAWN BY :	JD GOODIN	DATE :	5/16/14
CHECKED BY :	MEG / HMS	DATE :	6/23/14
QC / QA BY :	TG ZEBLO	DATE :	7/7/14
DRAWN BY :	EEM 2/97	REV. 5/1/06	TLA/GM
CHECKED BY :	VAP 2/97	REV. 10/1/11	MAA/GM
		REV. 10/24/12	AAC/MAA

REFERENCE NO. 13- 11

STRUCTURE NO. 13

STD. NO. EB4