

STRUCTURAL STEEL NOTES

ALL INTERMEDIATE DIAPHRAGM STEEL AND CONNECTOR PLATES SHALL BE AASHTO M270 GRADE 50 OR APPROVED EQUAL.

TENSION ON THE ASTM A325 BOLTS THROUGH THE CHANNEL MEMBER SHALL BE CALIBRATED USING DIRECT TENSION INDICATOR WASHERS IN ACCORDANCE WITH THE STANDARD SPECIFICATIONS.

TENSION ON THE ASTM A449 BOLTS THROUGH THE GIRDER WEB SHALL BE SNUG TIGHTENED FOLLOWED BY AN ADDITIONAL 1/4 TURN.

THE PLATES, BENT PLATES, CHANNELS AND ANGLES SHALL BE GALVANIZED OR METALLIZED IN ACCORDANCE WITH THE STANDARD SPECIFICATIONS. FOR THERMAL SPRAYED COATINGS (METALLIZATION), SEE SPECIAL PROVISIONS.

FOR METALLIZATION, APPLY AN 8 MIL THICK 99.99 PERCENT ZINC (W-Zn-1) THERMAL SPRAYED COATING WITH A 0.5 MIL THICK SEAL COAT TO ALL STEEL DIAPHRAGM SURFACES IN ACCORDANCE WITH THE THERMAL SPRAYED COATINGS SPECIAL PROVISION AND SECTION 442 OF THE STANDARD SPECIFICATIONS.

GALVANIZE THE HIGH STRENGTH BOLTS, NUTS, WASHERS AND DIRECT TENSION INDICATORS IN ACCORDANCE WITH THE STANDARD SPECIFICATIONS.

USE AN ASTM F436 HARDENED WASHER WITH STANDARD AND SLOTTED HOLES UNDER EACH BOLT HEAD AND NUT.

FOR BOLTS THROUGH THE GIRDER WEB, PROVIDE SUFFICIENT LENGTH OF THREADS ON ALL BOLTS TO ACCOMMODATE WASHERS AND THE THICKNESS OF CONNECTING MEMBER PLUS AT LEAST 1/4" PROJECTION BEYOND THE NUT.

INTERMEDIATE DIAPHRAGM ASSEMBLY SHALL COMPLY WITH SECTION 1072 OF THE STANDARD SPECIFICATIONS.

SUBMIT TWO SETS OF WORKING DRAWINGS FOR THE INTERMEDIATE DIAPHRAGM ASSEMBLY FOR REVIEW, COMMENTS AND ACCEPTANCE. AFTER REVIEW, COMMENTS, AND ACCEPTANCE, SUBMIT SEVEN SETS FOR DISTRIBUTION.

IN THE EXTERIOR BAYS, PLACE TEMPORARY STRUTS BETWEEN PRESTRESSED GIRDERS ADJACENT TO THE STEEL DIAPHRAGMS. STRUTS SHALL REMAIN IN PLACE 3 DAYS AFTER CONCRETE IS PLACED.

THE COST OF THE STEEL DIAPHRAGMS AND ASSEMBLIES SHALL BE INCLUDED IN THE UNIT PRICE BID FOR PRESTRESSED CONCRETE GIRDERS.

TABLE

GIRDER TYPE	CHANNEL SIZE	DIM "A"	DIM "B"	DIM "L"
IV	MC 18 x 42.7	1'-9 1/2"	1'-2"	1'-6"

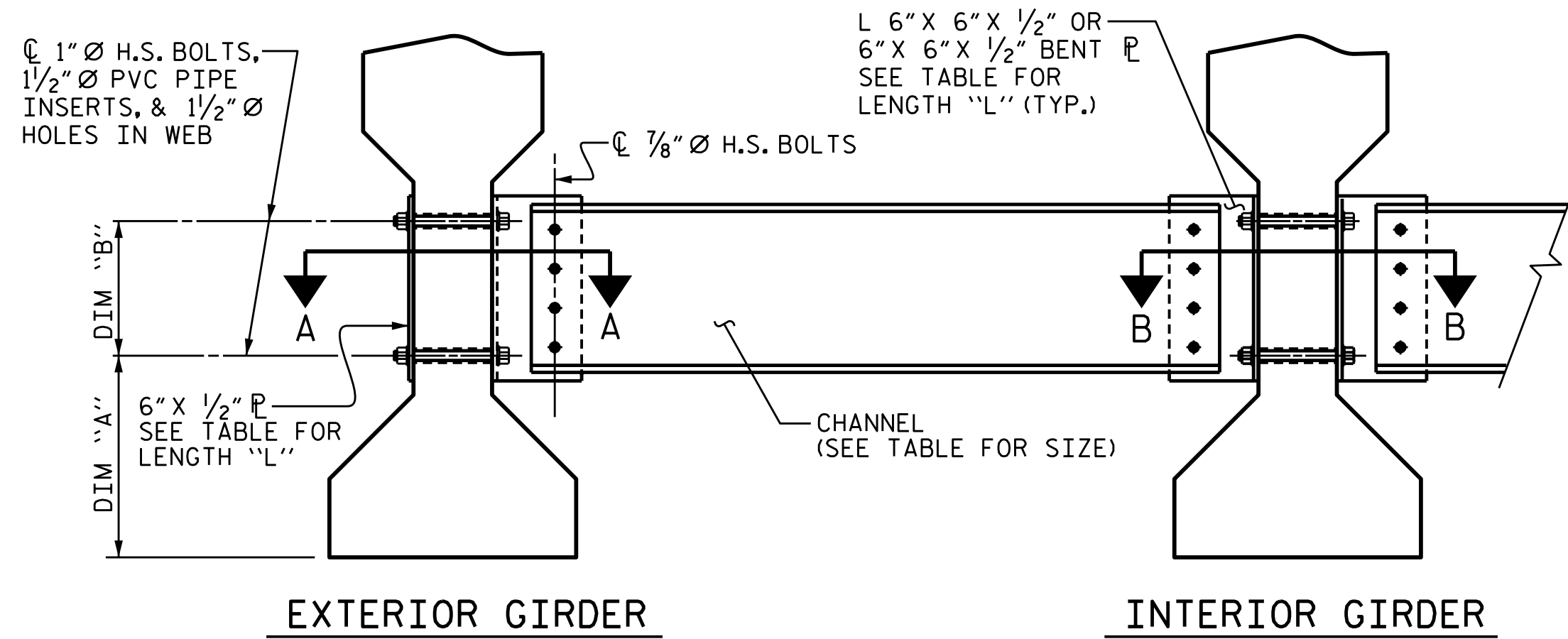
PROJECT NO. R-2514D
JONES COUNTY
 STATION: 561+15.20 -L-
=17+04.80 -Y7-

STATE OF NORTH CAROLINA
 DEPARTMENT OF TRANSPORTATION
 RALEIGH

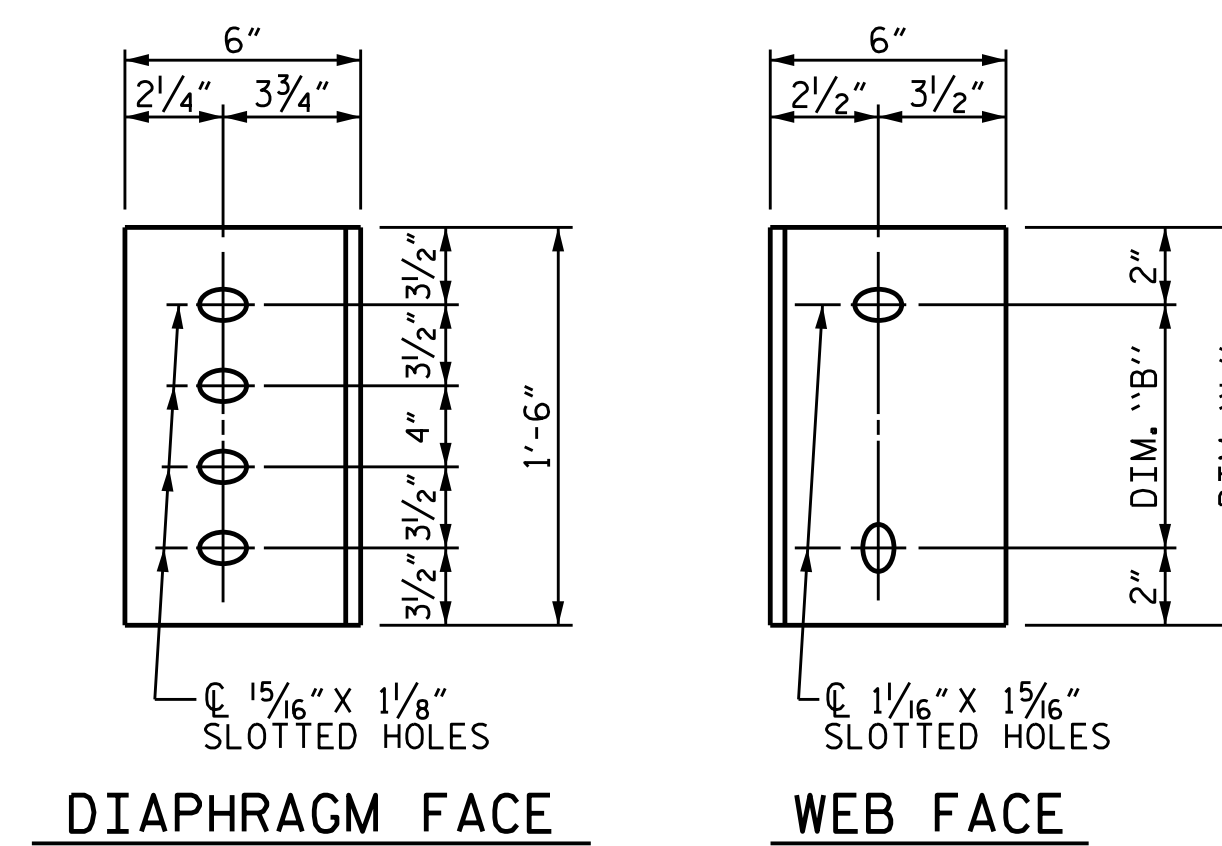
STANDARD
 INTERMEDIATE STEEL
 DIAPHRAGMS FOR
 TYPE IV
 LEFT LANE

REVISIONS						SHEET NO.
NO.	BY:	DATE:	NO.	BY:	DATE:	TOTAL SHEETS
1			3			21
2			4			

STRUCTURE NO. 13 STD. NO. PCG10



PART SECTION AT INTERMEDIATE DIAPHRAGM



CONNECTOR PLATE DETAILS

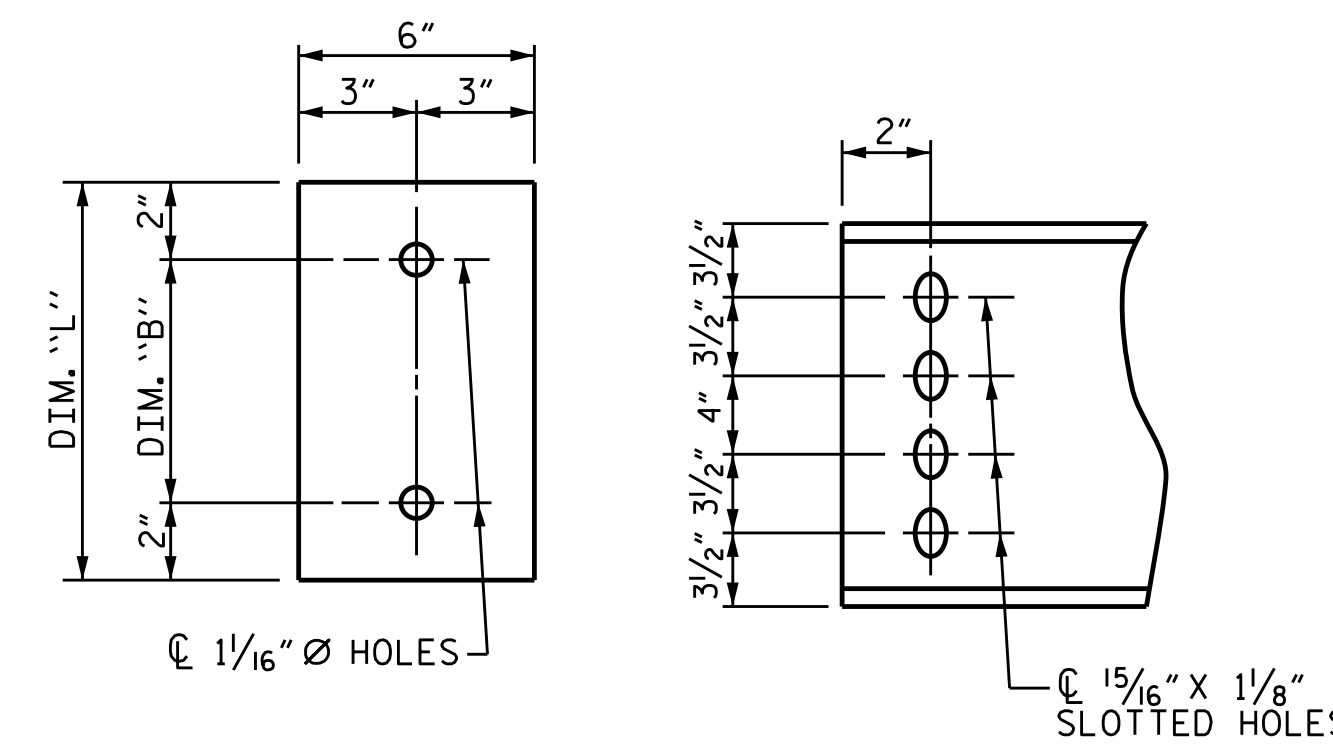
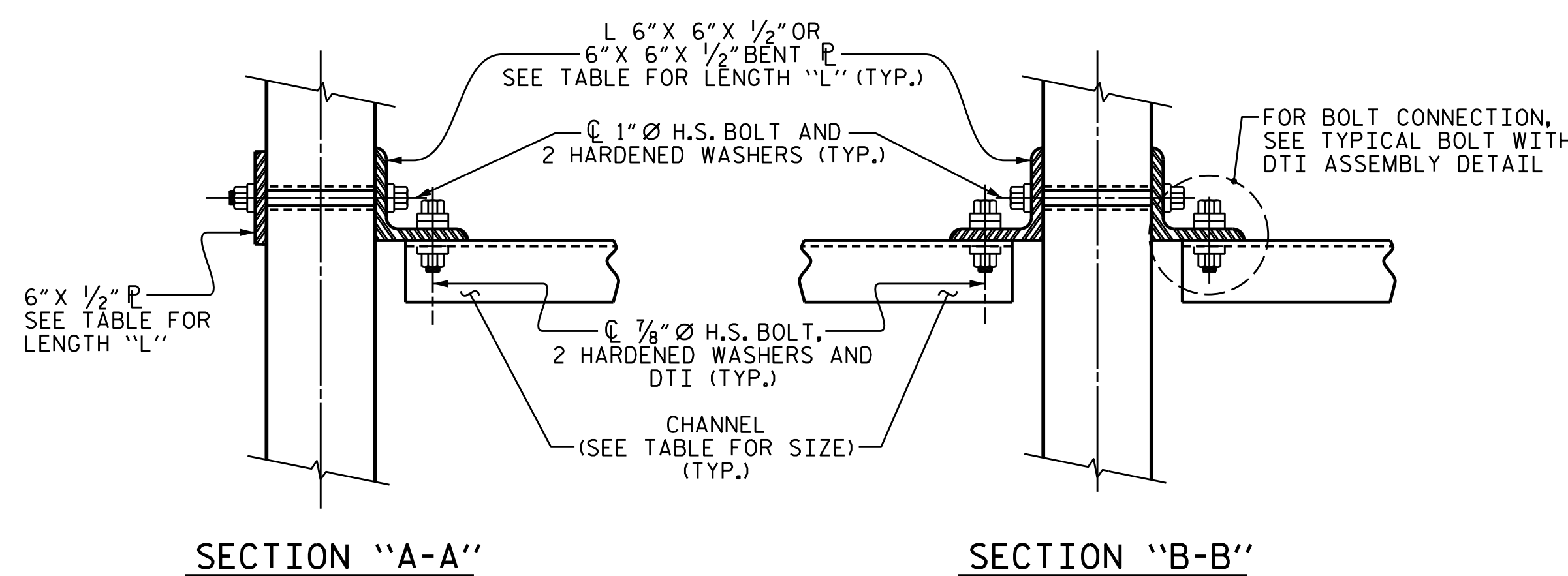
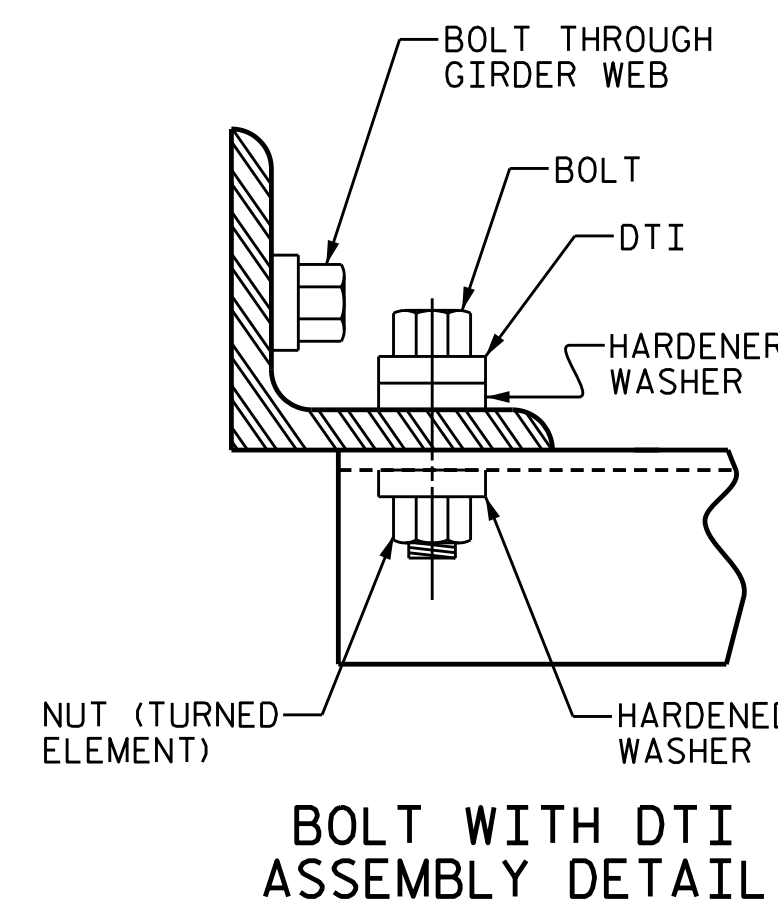


PLATE DETAILS CHANNEL END



CONNECTION DETAILS



DRAWN BY :	JD GOODIN	DATE :	5/16/14
CHECKED BY :	MEG / HMS	DATE :	6/23/14
QC / QA BY :	TG ZEBLO	DATE :	7/7/14
DRAWN BY :	TLA 6/05	ADDED	10/21/05
CHECKED BY :	VC 6/05	REV.	5/1/06RRR KMM/GM
		REV.	10/1/11 MAA/GM

PLAN PREPARED BY:



ALPHA & OMEGA GROUP
 CIVIL & STRUCTURAL ENGINEERS
 4601 Lake Boone Trail, Ste. 3C Raleigh, NC 27607
 Phone 919 981 0310 Fax 919 981 0451
 Firm License No. C-1684 www.aogroup.com
 A&O PROJECT NO. 2013.044

DocuSigned by:
 Mark Gustafson
 9E00EDB87408456...
 3/23/2015

NOTE: THIS STANDARD DRAWING REVIEWED AND
 ADOPTED FOR USE AT THE REFERENCED
 LOCATION BY THE UNDERSIGNED.
 NORTH CAROLINA
 PROFESSIONAL ENGINEER
 SEAL
 28601
 3-20-2015
 MARK E. GUSTAFSON