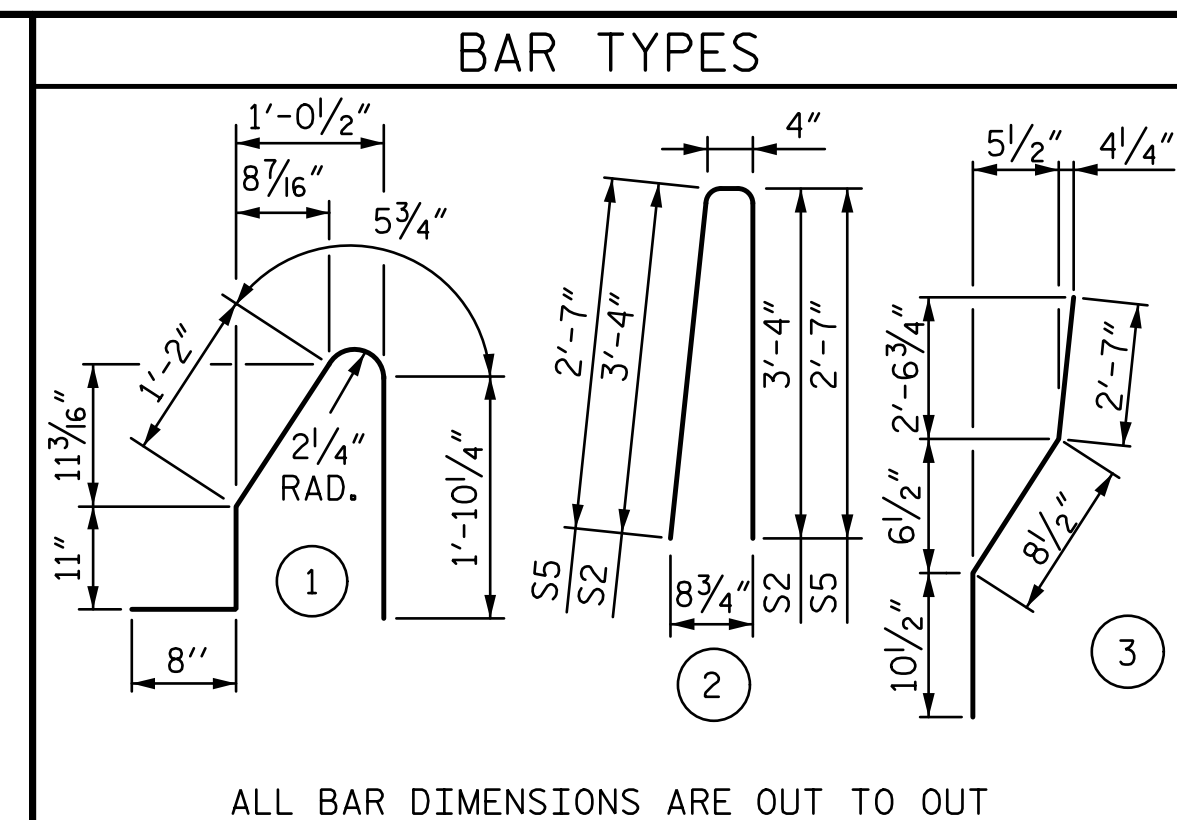
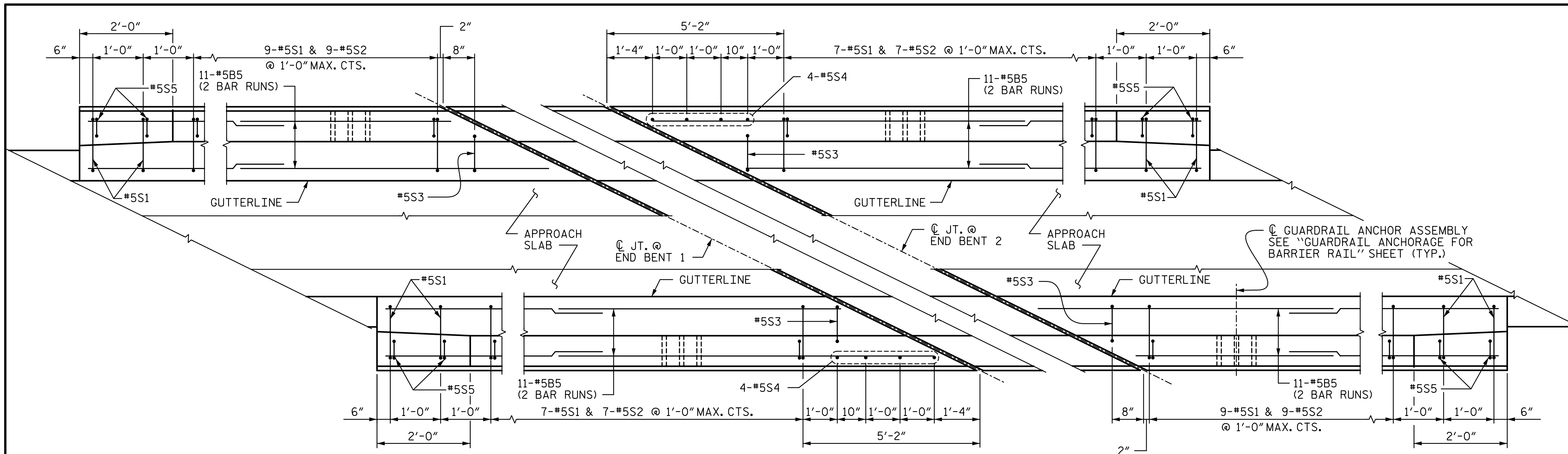


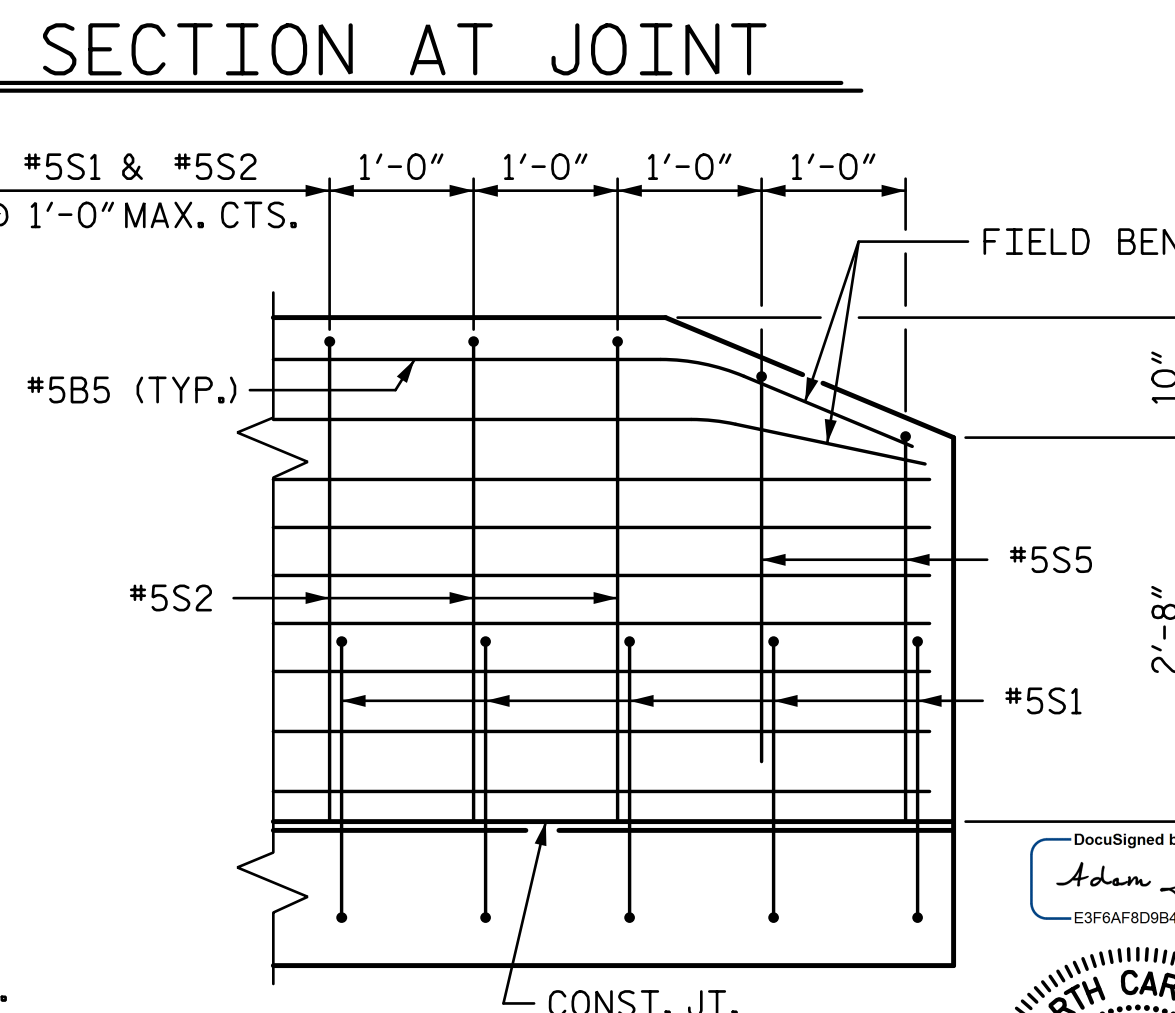
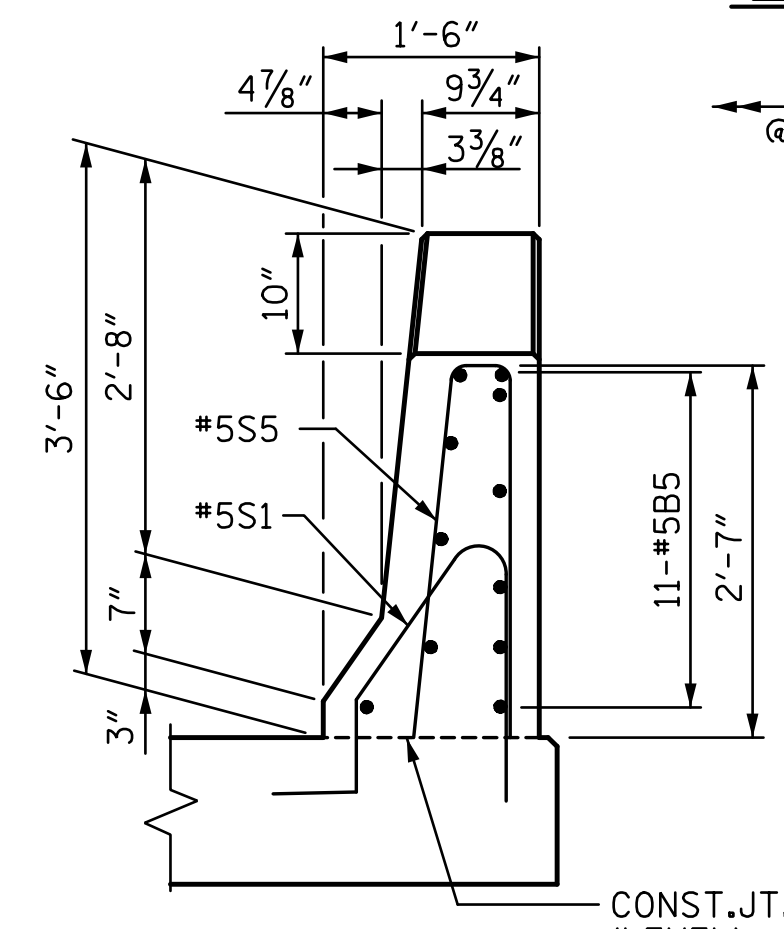
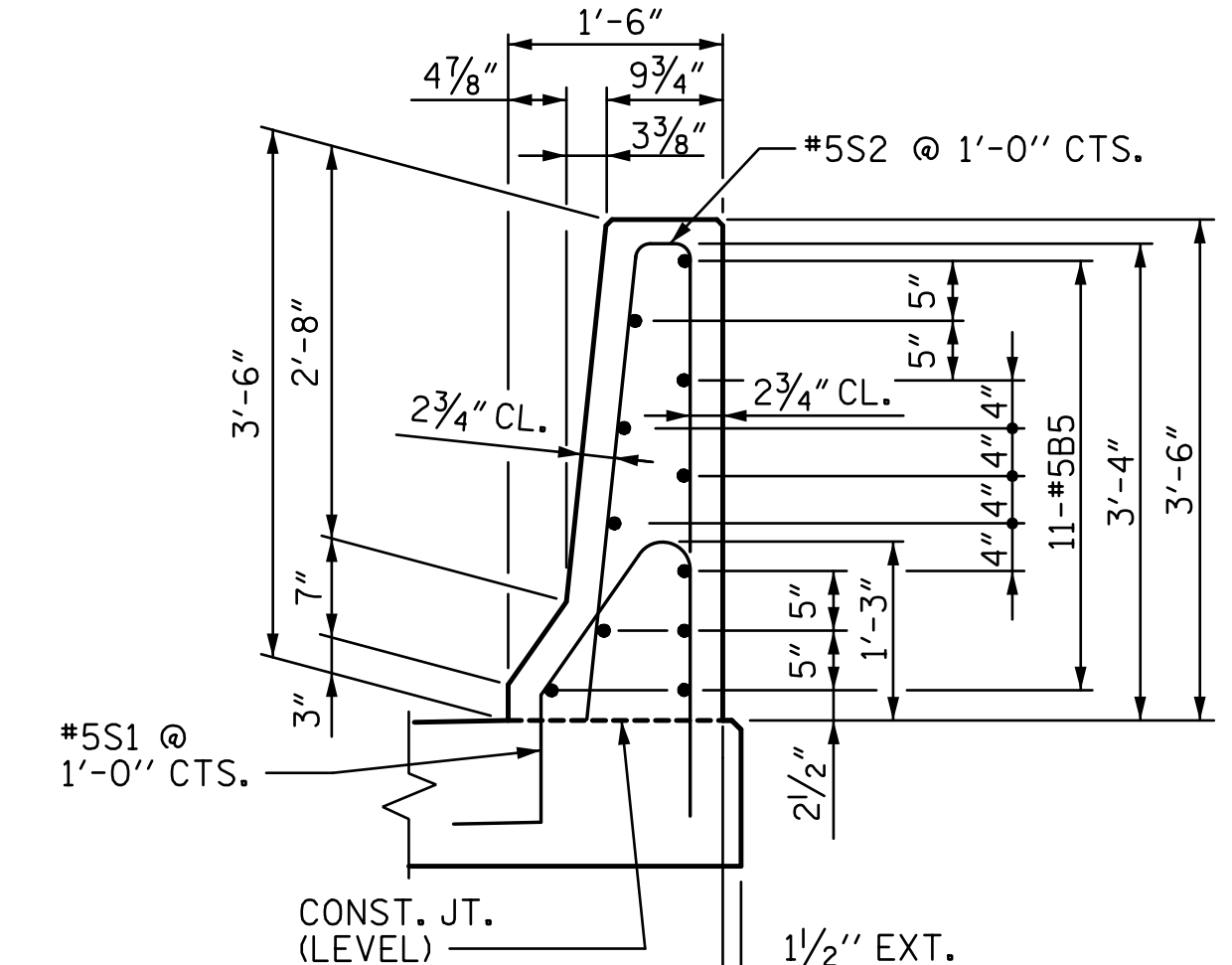
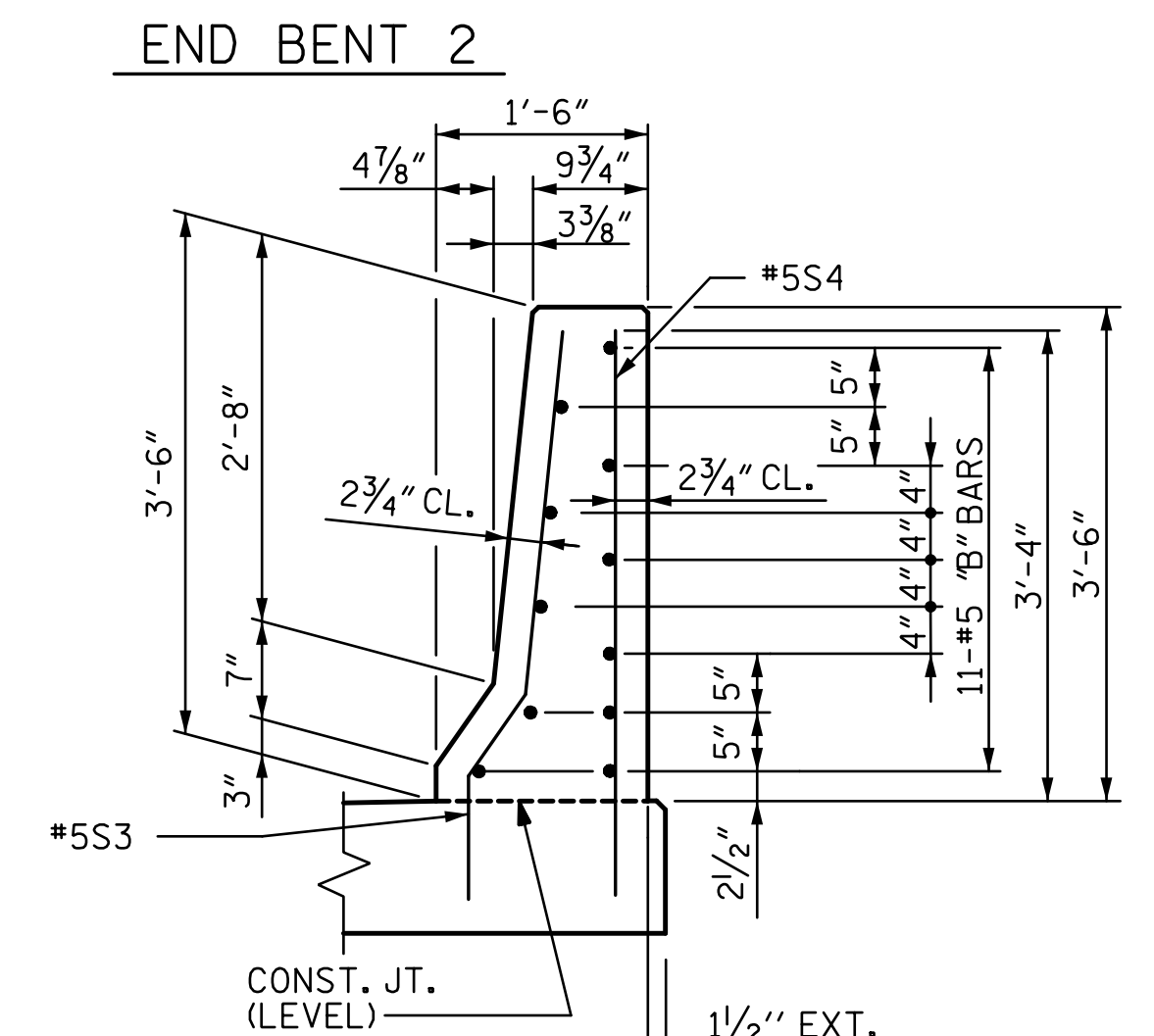
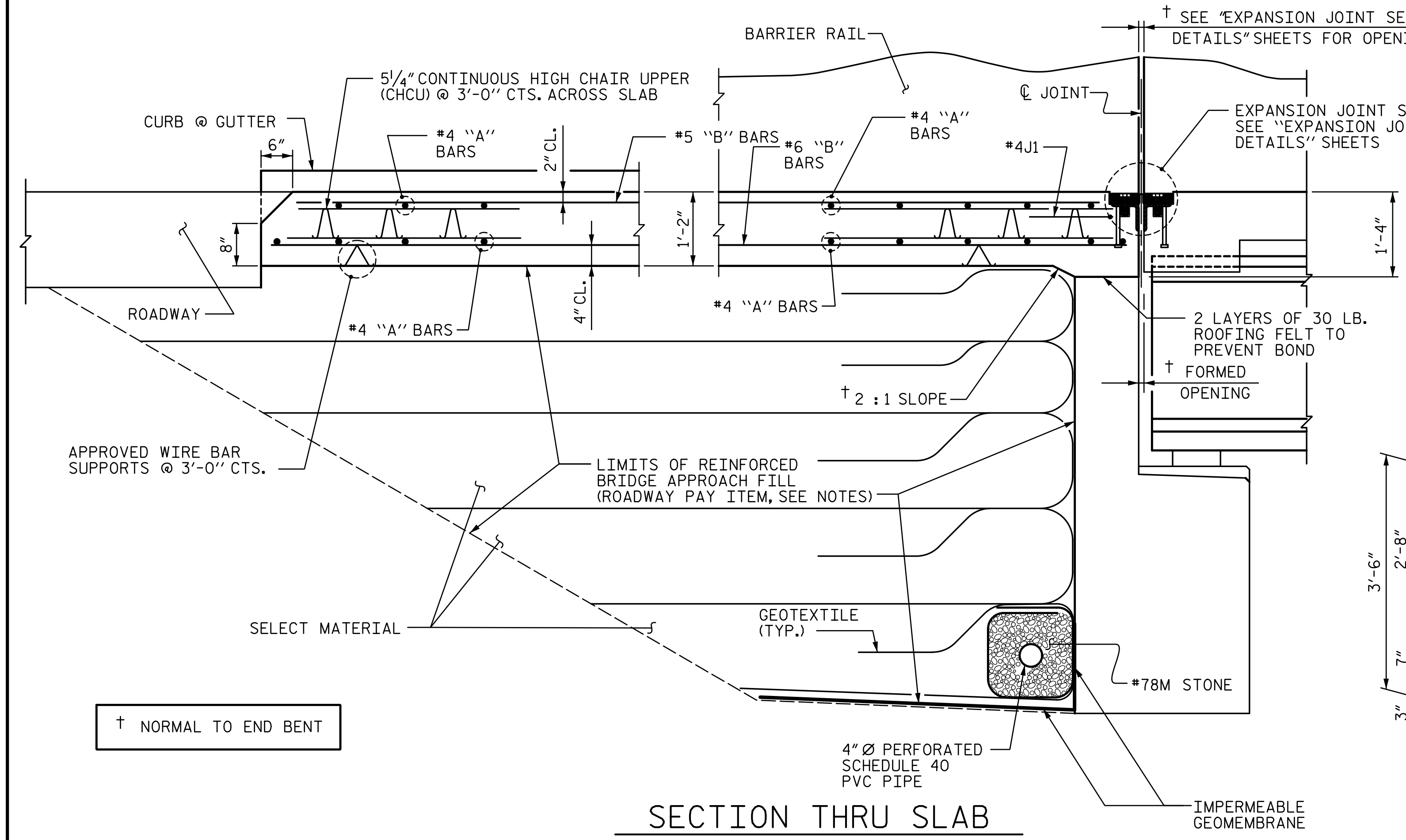
R:\Site 6\usta\Finals\Site 6 RL\412_037_R2514D_SMJ_BAS02.dgn 3/6/2015 9:08:49 AM



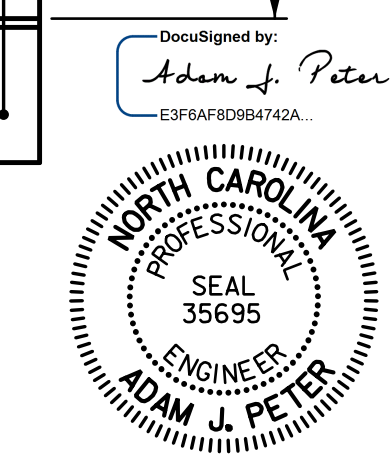
BILL OF MATERIAL

BARRIER RAIL ONLY					
BAR	NO.	SIZE	TYPE	LENGTH	WEIGHT
*B5	88	#5	STR	7'-10"	719
*S1	40	#5	①	5'-1"	212
*S2	32	#5	②	7'-0"	234
*S3	4	#5	③	4'-2"	17
*S4	8	#5	STR	4'-0"	33
*S5	8	#5	②	5'-6"	46

*EPOXY COATED REINFORCING STEEL LBS. 1,261
 CLASS AA CONCRETE C. Y. 6.2
 CONCRETE BARRIER RAIL 46.6 LIN. FT.



PROJECT NO. **R-2514D**
JONES & CRAVEN COUNTY
 STATION: **526+71.12 -L-**
 = **16+08.07 -Y6-**
 SHEET 2 OF 3



STATE OF NORTH CAROLINA
 DEPARTMENT OF TRANSPORTATION
 RALEIGH

BRIDGE APPROACH SLAB DETAILS

-RIGHT LANE-

REVISIONS					
NO.	BY:	DATE:	NO.	BY:	DATE:
1			3		
2			4		

SHEET NO.	
S12-37	TOTAL SHEETS 38

DRAWN BY: ATH DATE: 6-14
 CHECKED BY: CLG DATE: 6-14
 DESIGN ENGINEER OF RECORD: A. PETER DATE: 6-14

STV / Ralph Whitehead Associates, Inc.
 900 West Trade Street, Suite 715
 Charlotte, NC 28202
 NC License Number F-0991