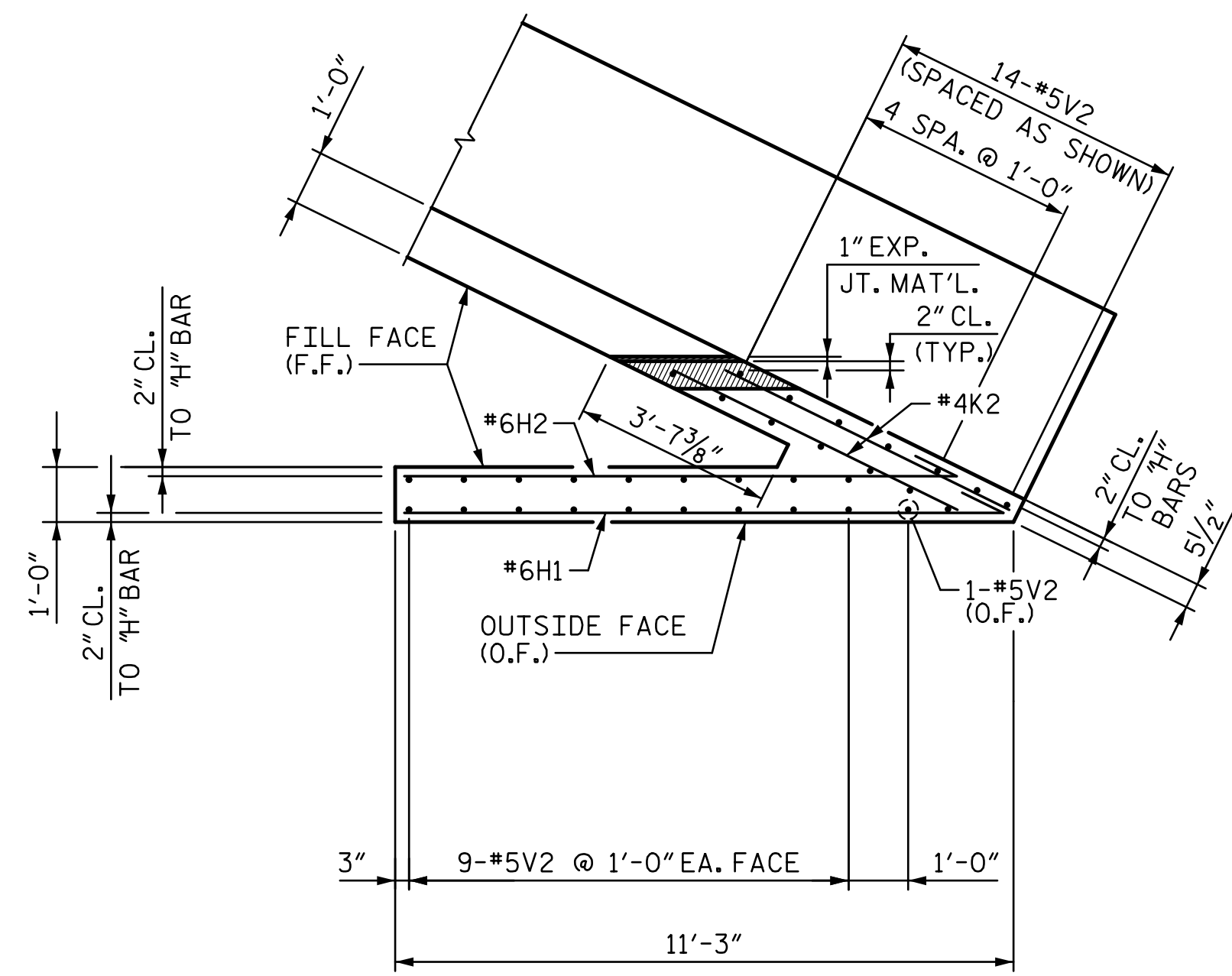
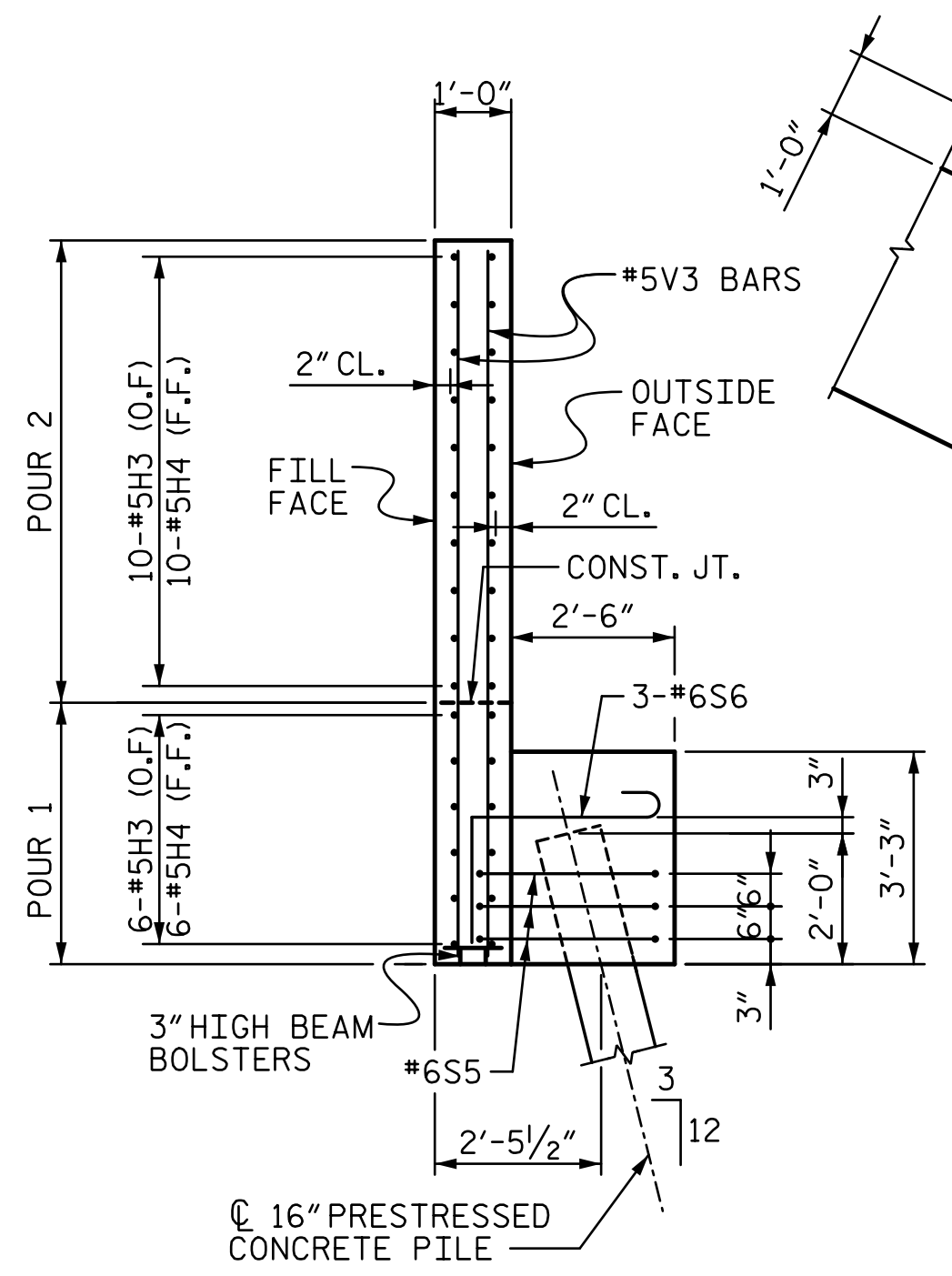


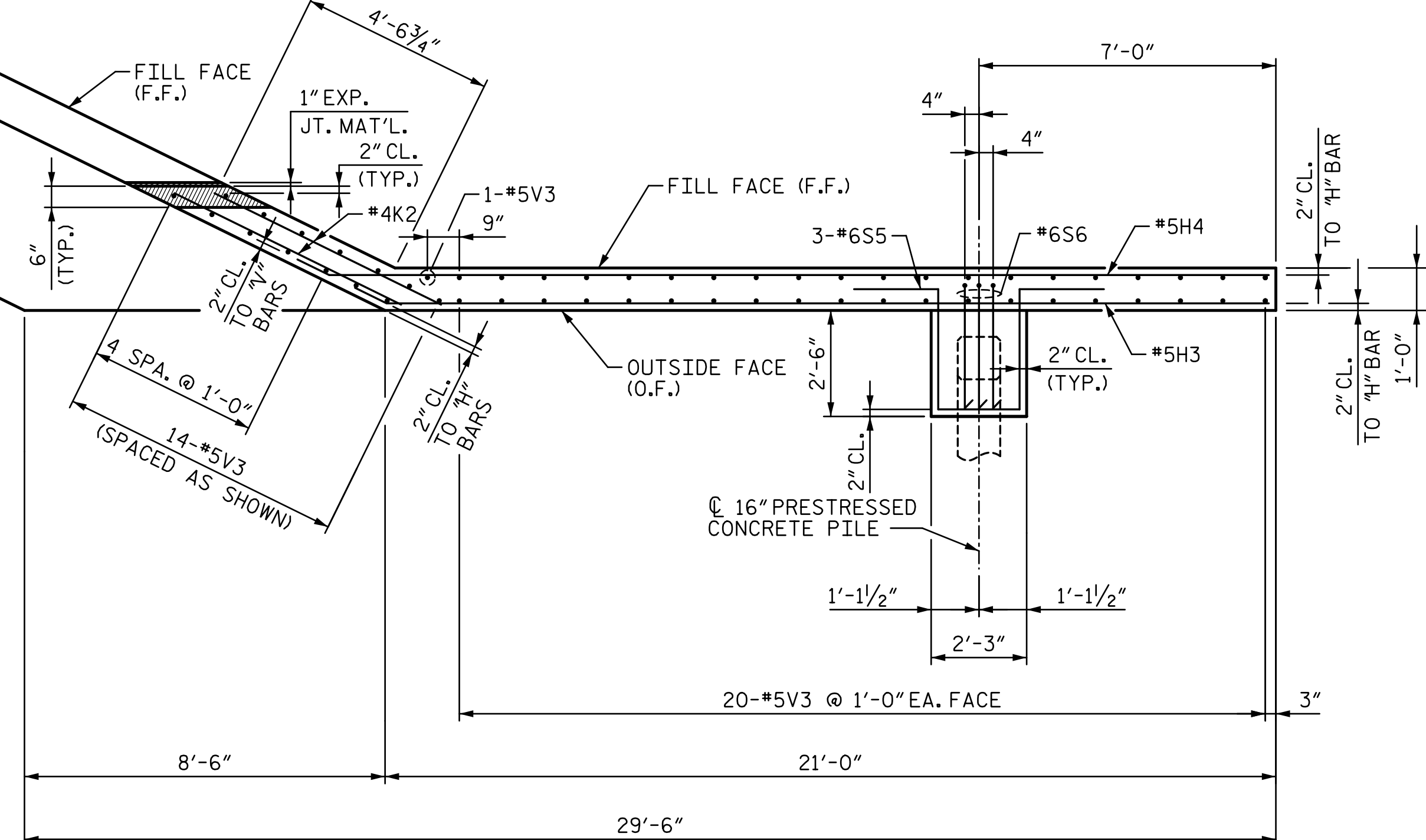
3/6/2015 9:08:46 AM R:\Site 6\usta\Finals\Site 6 RL\412_031_R2514D_SMU_EB202.dgn



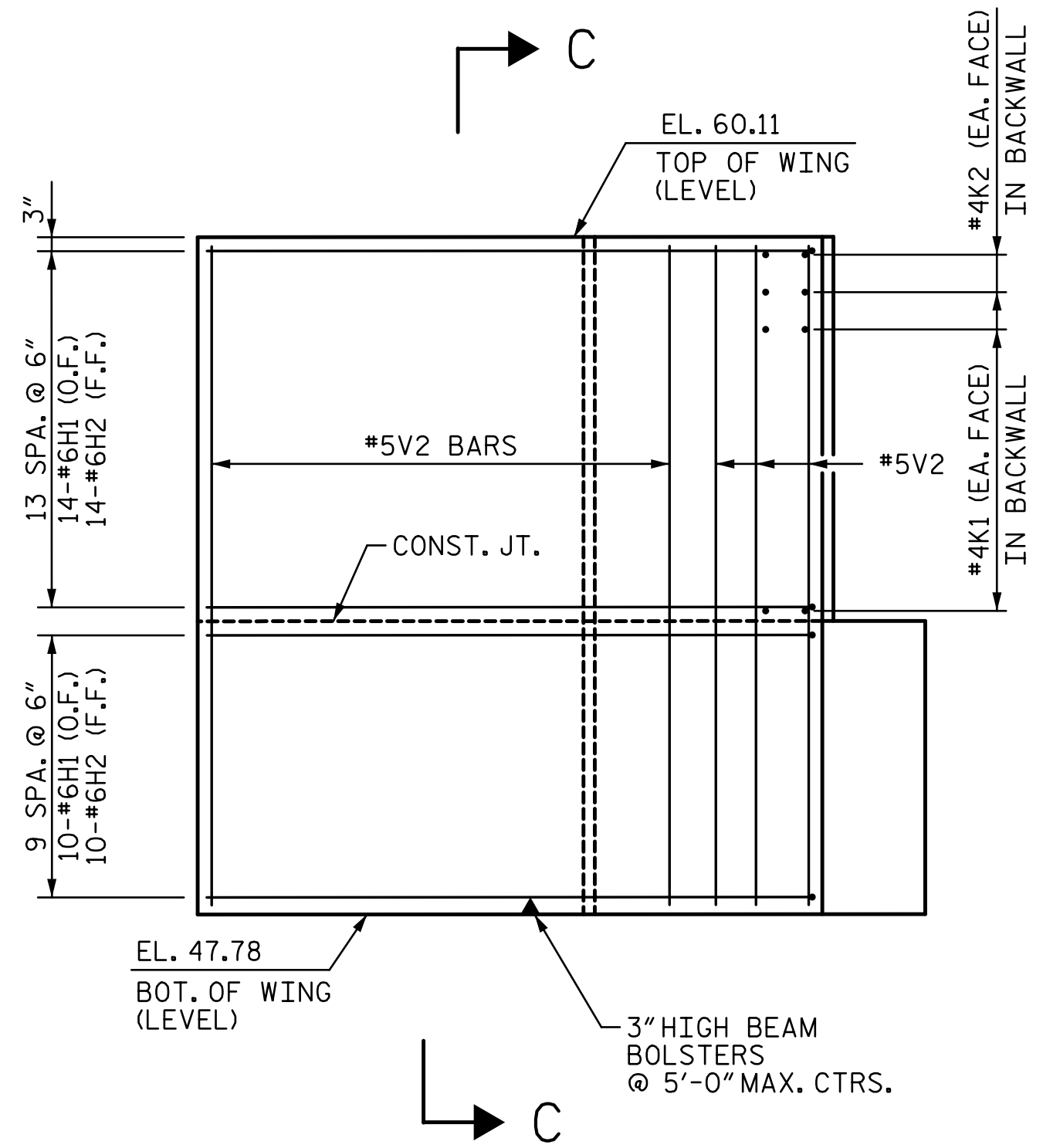
PLAN (W1)



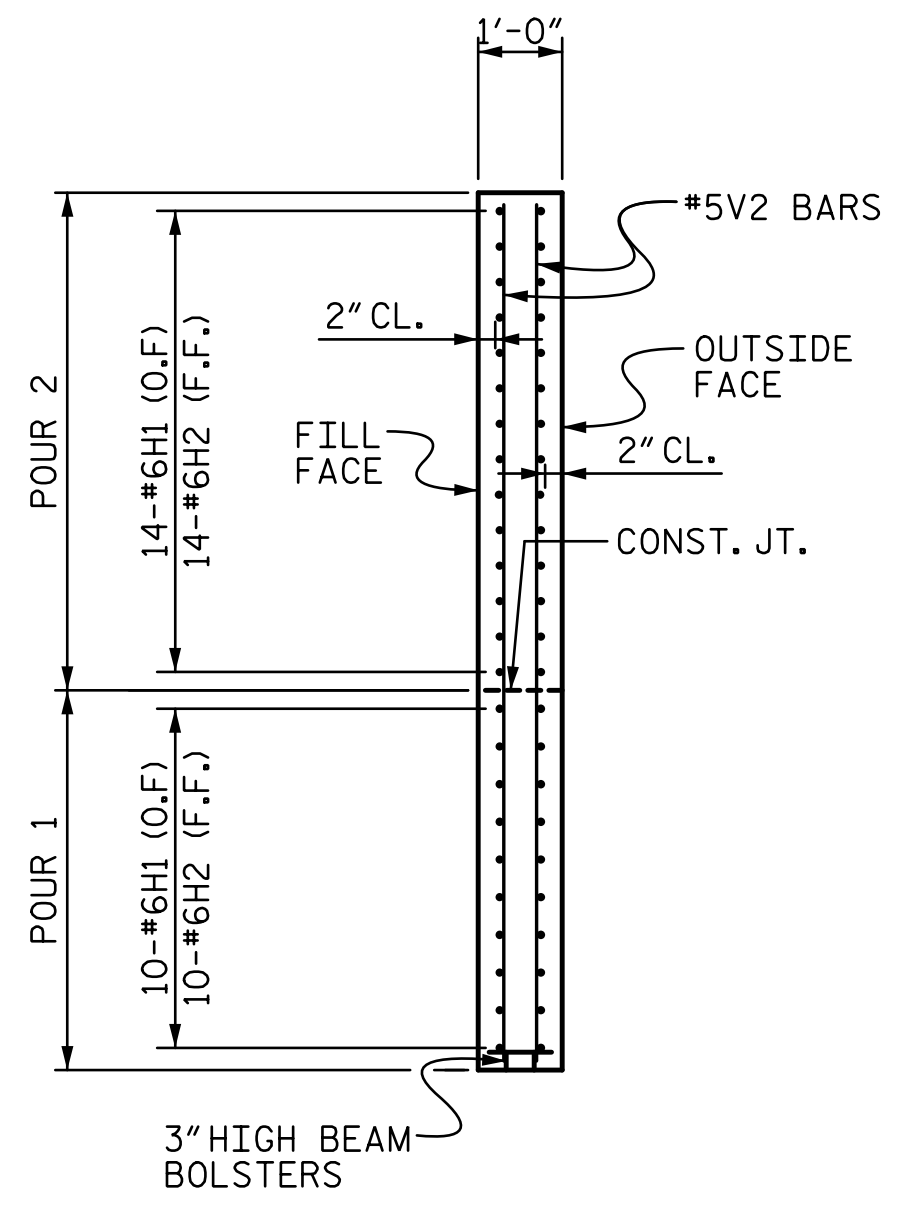
SECTION D-D



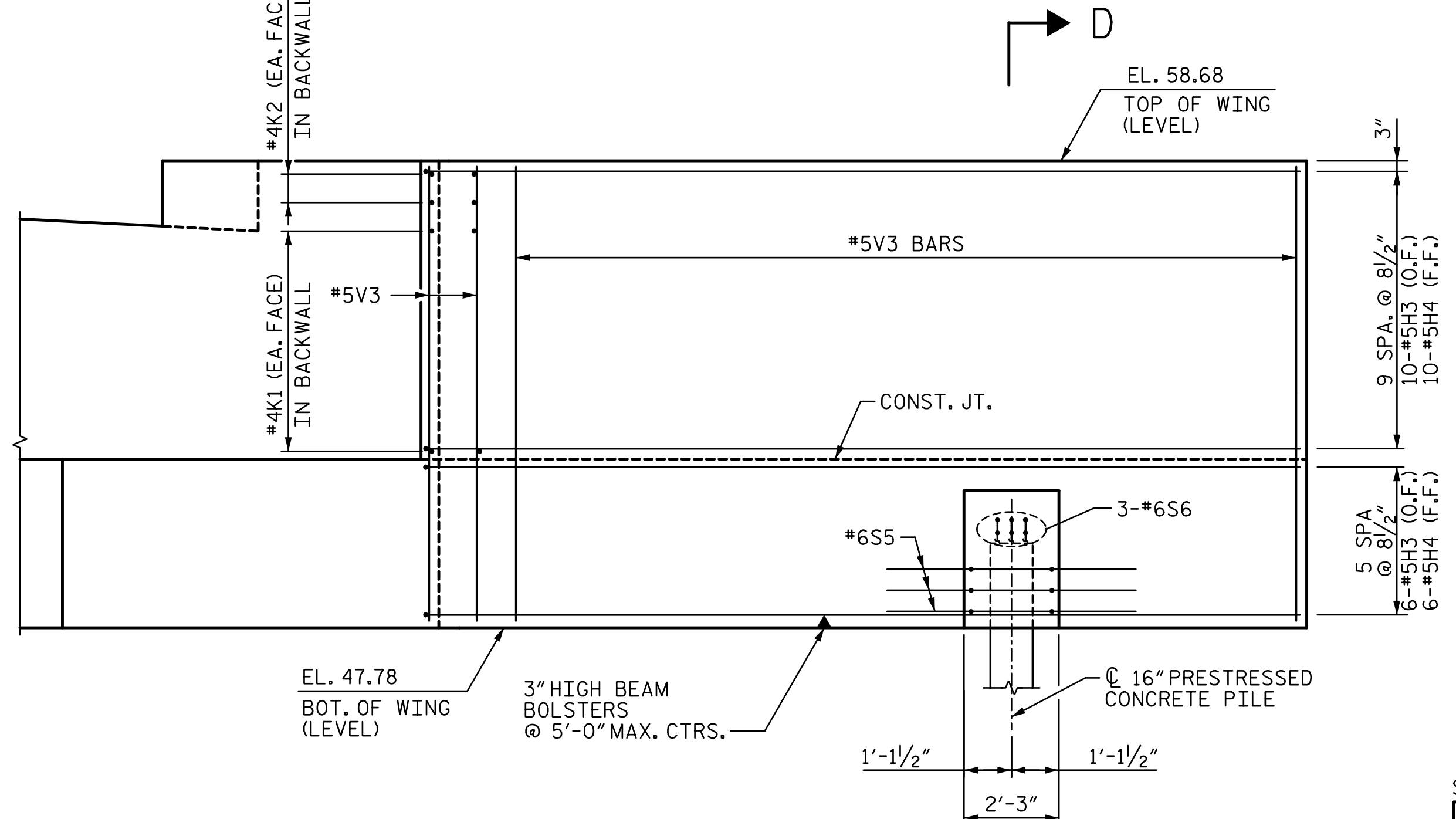
PLAN (W2)



ELEVATION (W1)



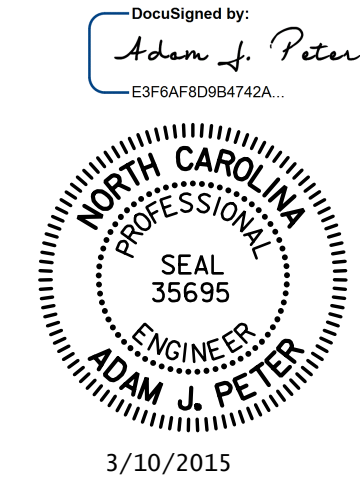
SECTION C-C



ELEVATION (W2)

PROJECT NO. R-2514D
 JONES & CRAVEN COUNTY
 STATION: 526+71.12 -L-
 = 16+08.07 -Y6-
 SHEET 2 OF 3

STATE OF NORTH CAROLINA
 DEPARTMENT OF TRANSPORTATION
 RALEIGH
 SUBSTRUCTURE
 END BENT 2
 -RIGHT LANE-



| | | | |
|-----------------|------------|-------------------------------------|------------|
| DRAWN BY: VMW | DATE: 6/14 | DESIGN ENGINEER OF RECORD: P. KELLY | DATE: 6-14 |
| CHECKED BY: PEK | DATE: 6/14 | | |

STV / Ralph Whitehead Associates, Inc.
 900 West Trade Street, Suite 715
 Charlotte, NC 28202
 NC License Number F-0991

| REVISIONS | | | | SHEET NO. |
|-----------|-----|-------|-----|-----------|
| NO. | BY: | DATE: | NO. | DATE: |
| 1 | | | 3 | |
| 2 | | | 4 | |

| | |
|--------------|--------|
| TOTAL SHEETS | 38 |
| SHEET NO. | S12-31 |