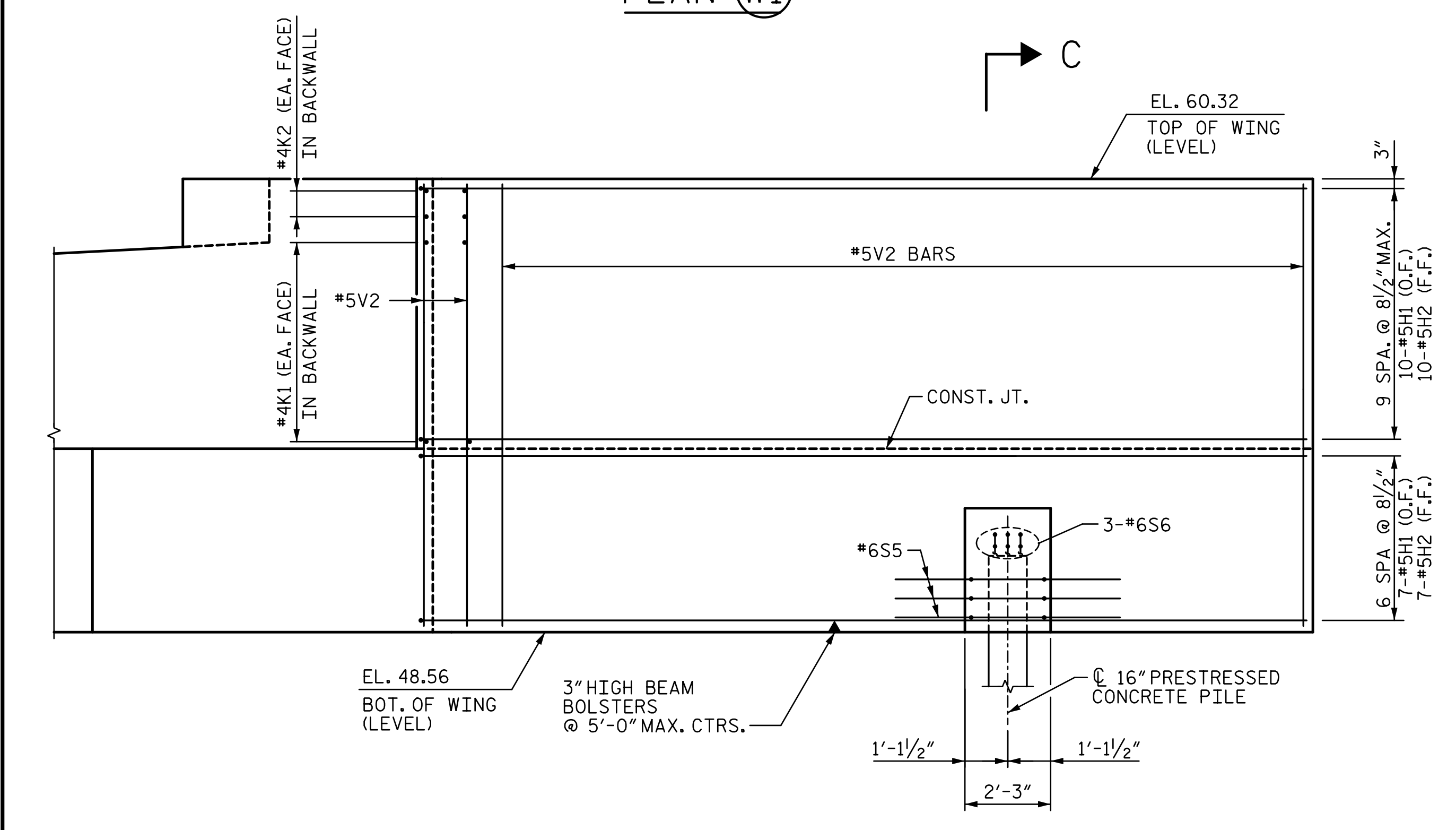
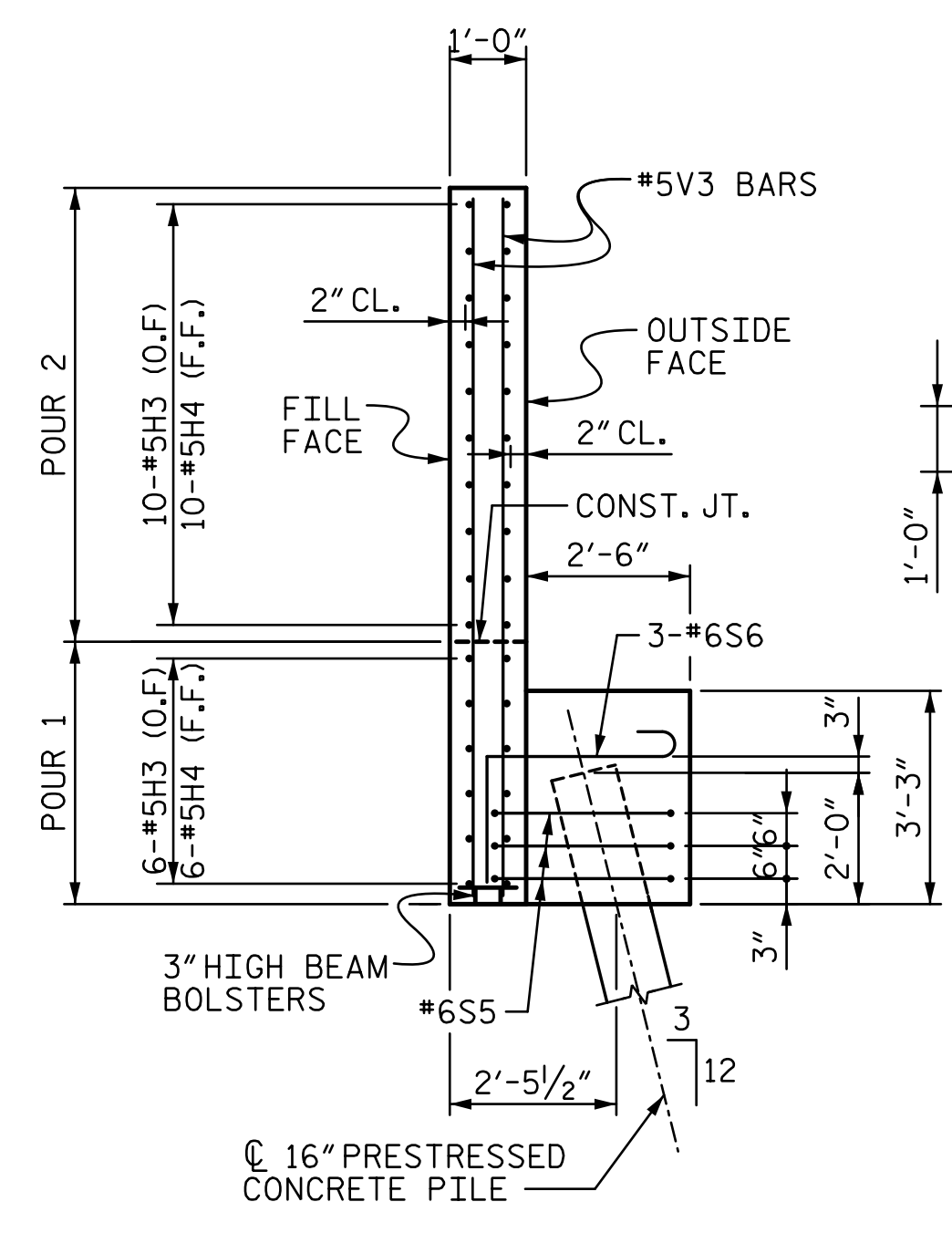


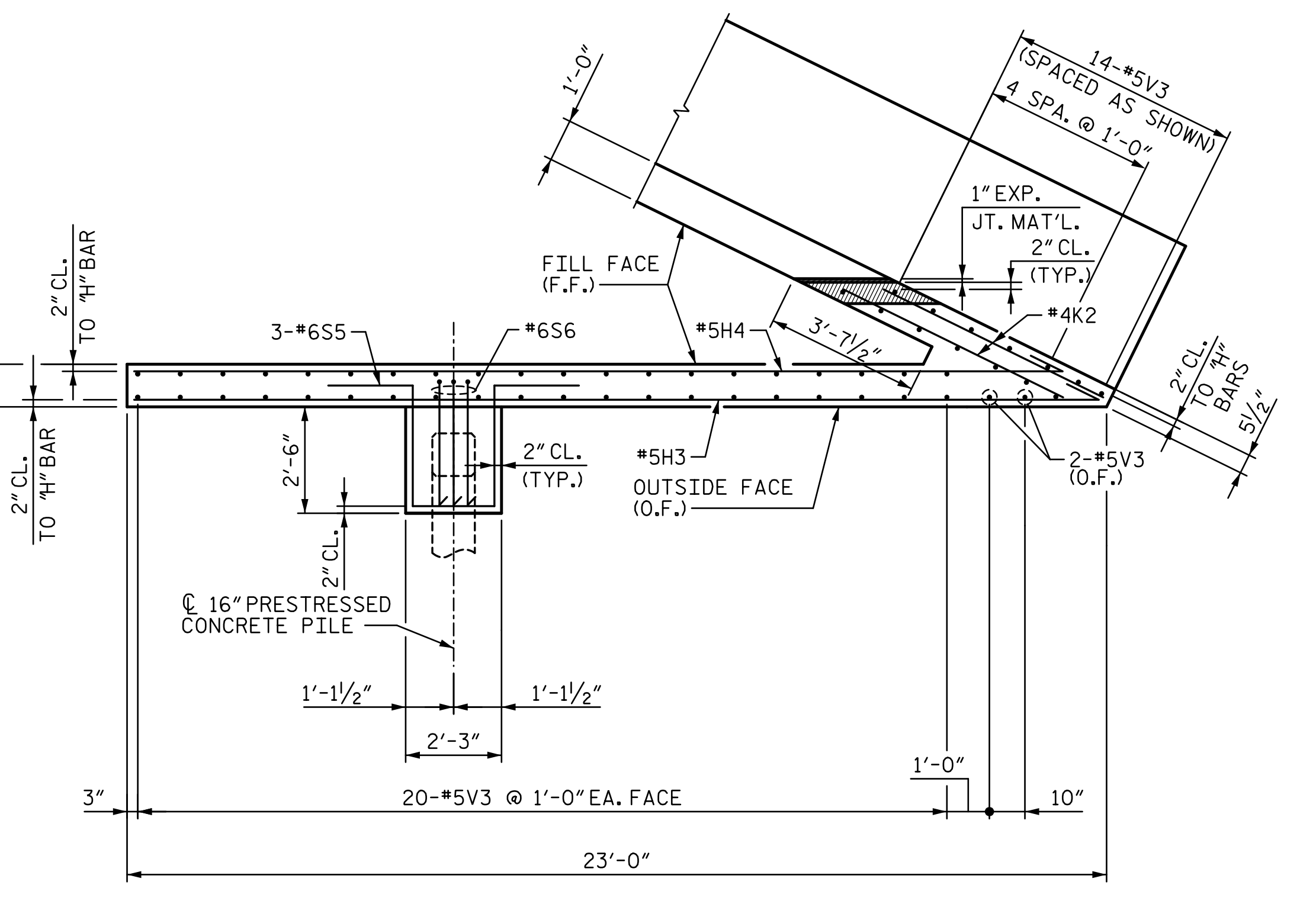
PLAN (W1)



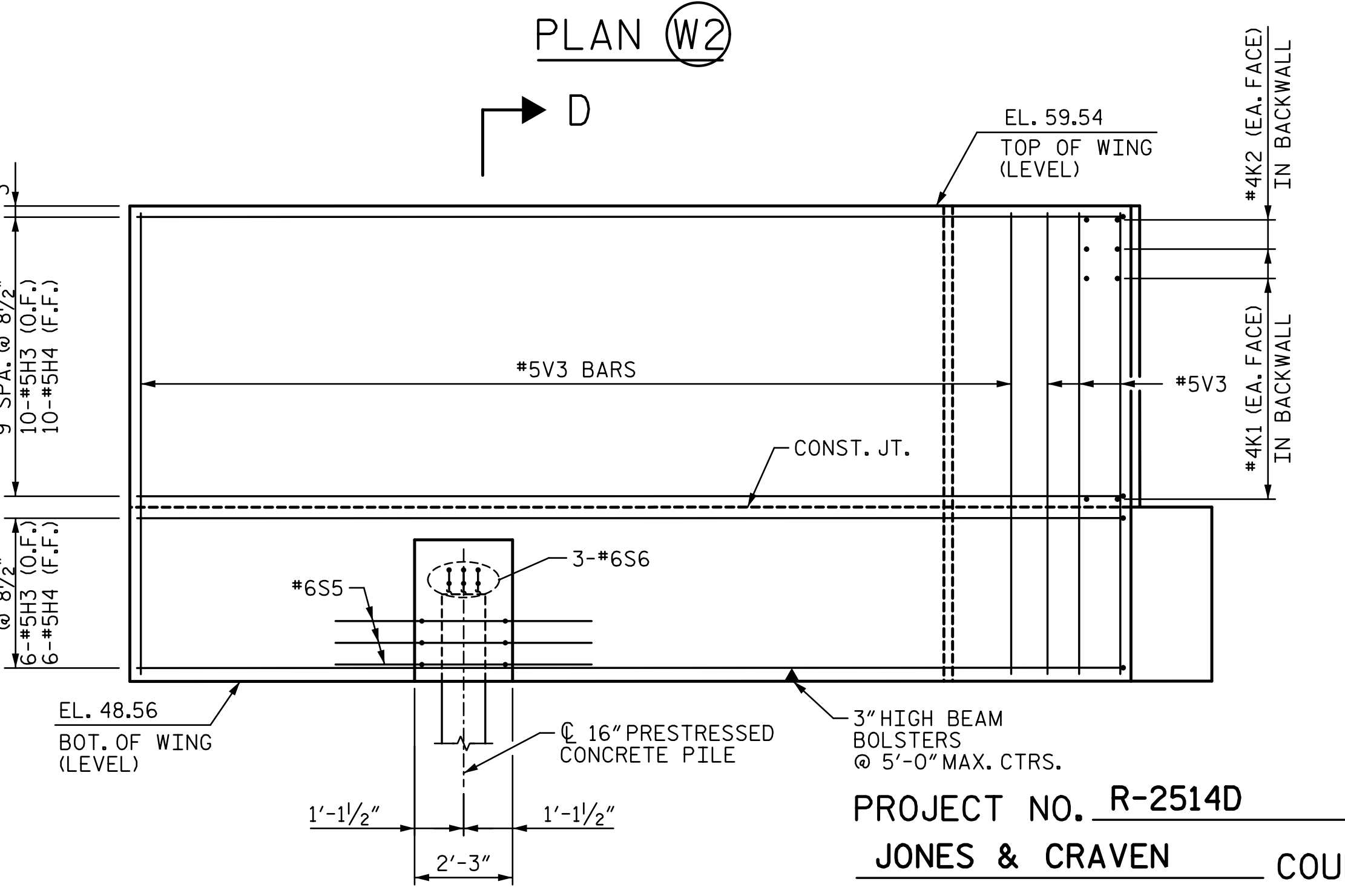
ELEVATION (W1)



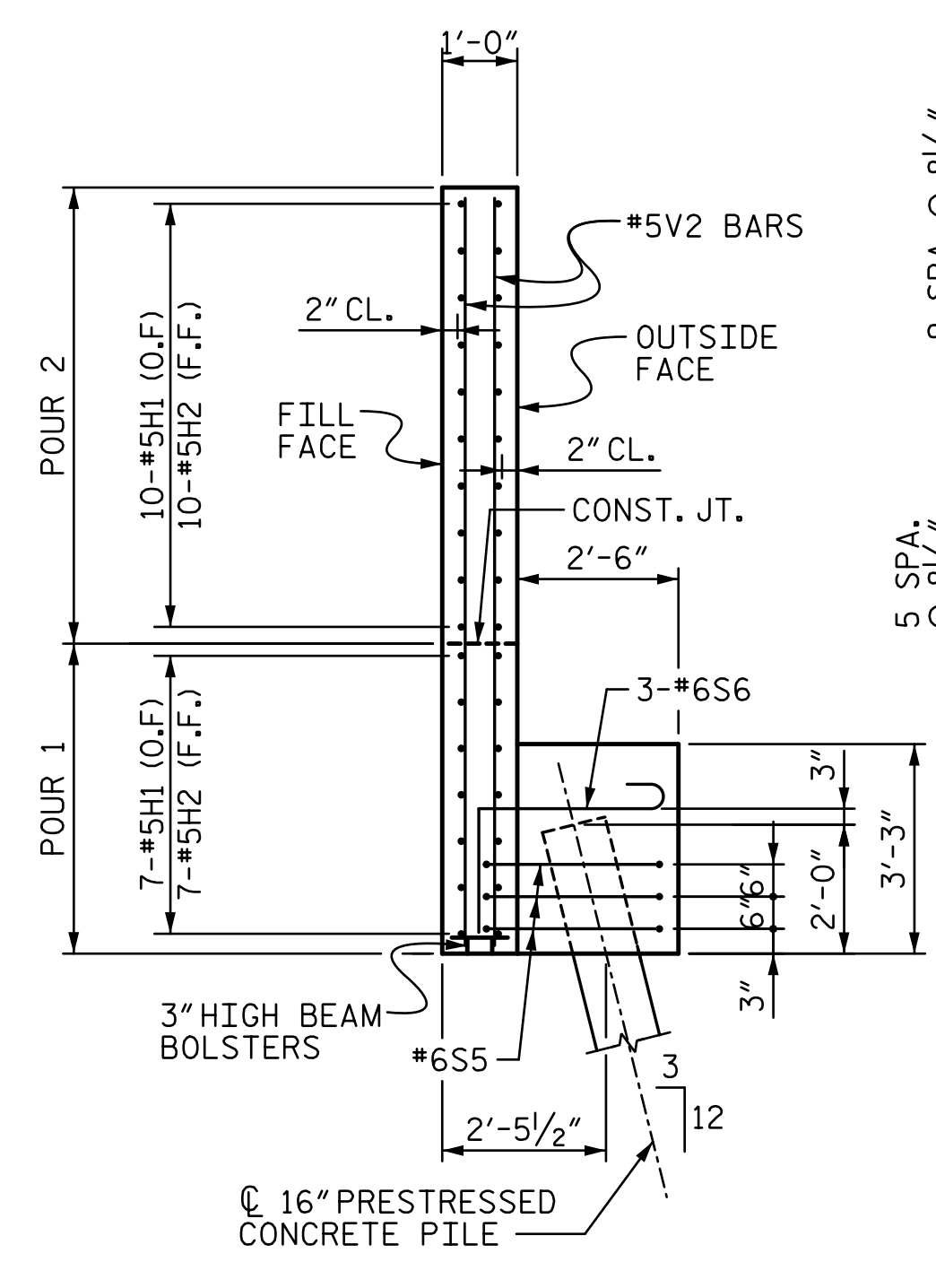
SECTION D-D



PLAN (W2)



ELEVATION (W2)



SECTION C-C

PROJECT NO. R-2514D
 JONES & CRAVEN COUNTY
 STATION: 526+71.12 -L-
 = 16+08.07 -Y6-
 SHEET 2 OF 3

STATE OF NORTH CAROLINA
 DEPARTMENT OF TRANSPORTATION
 RALEIGH
 SUBSTRUCTURE
 END BENT 1
 -RIGHT LANE-

DocuSigned by:
 Adam J. Peter
 SEAL
 35695
 ENGINEER
 ADAM J. PETER
 3/10/2015

3/6/2015 9:08:43 AM R:\Site 6\usta\Finals\Site 6 RL\412_025_R2514D_SMJ_EB102.dgn
 DRAWN BY: VMW DATE: 6/14
 CHECKED BY: PEK DATE: 6/14
 DESIGN ENGINEER OF RECORD: P. KELLY DATE: 6-14

STV / Ralph Whitehead Associates, Inc.
 900 West Trade Street, Suite 715
 Charlotte, NC 28202
 NC License Number F-0991

REVISIONS				SHEET NO.	
NO.	BY:	DATE:	NO.	BY:	DATE:
1			3		
2			4		

TOTAL SHEETS: 38