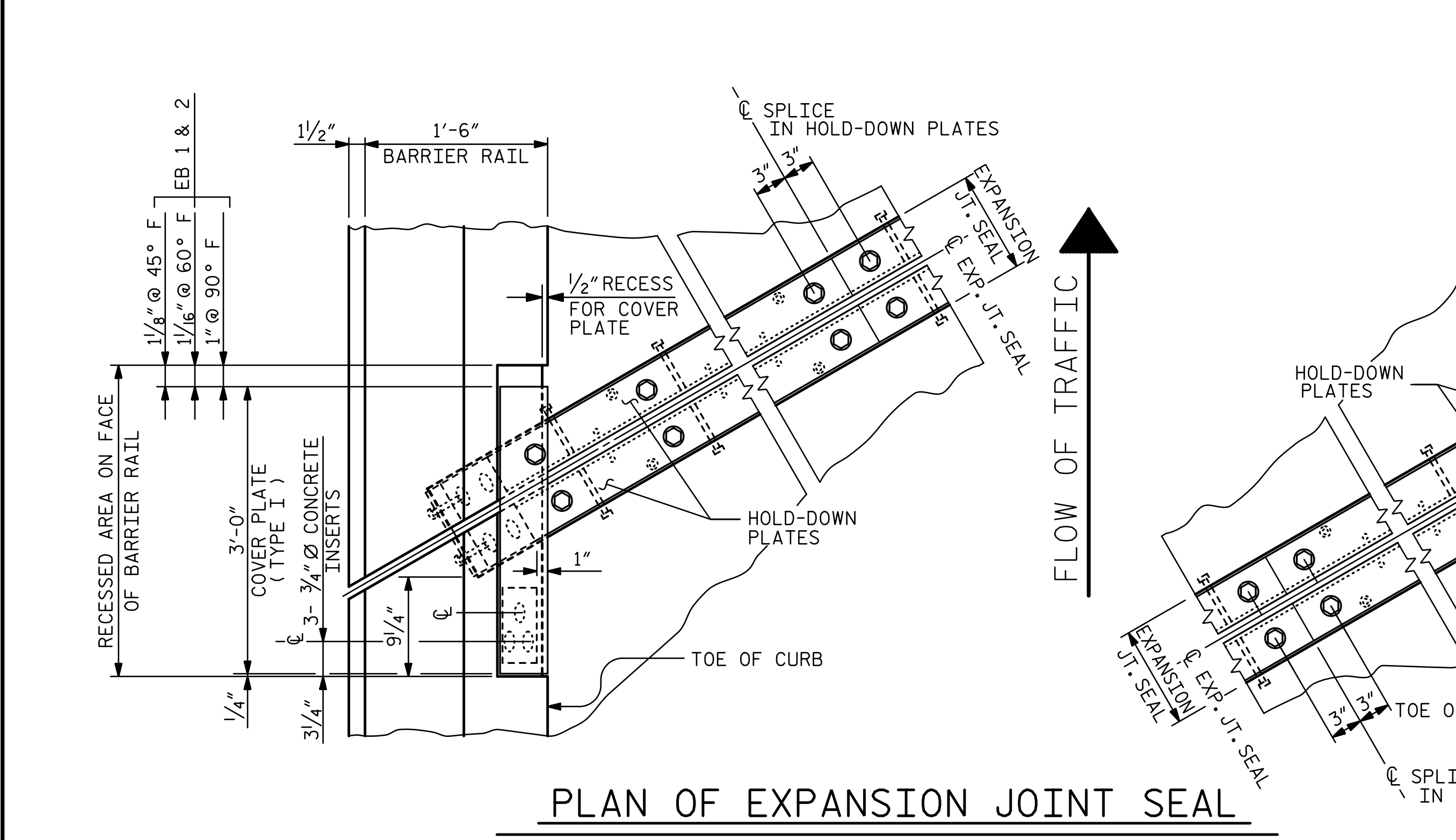
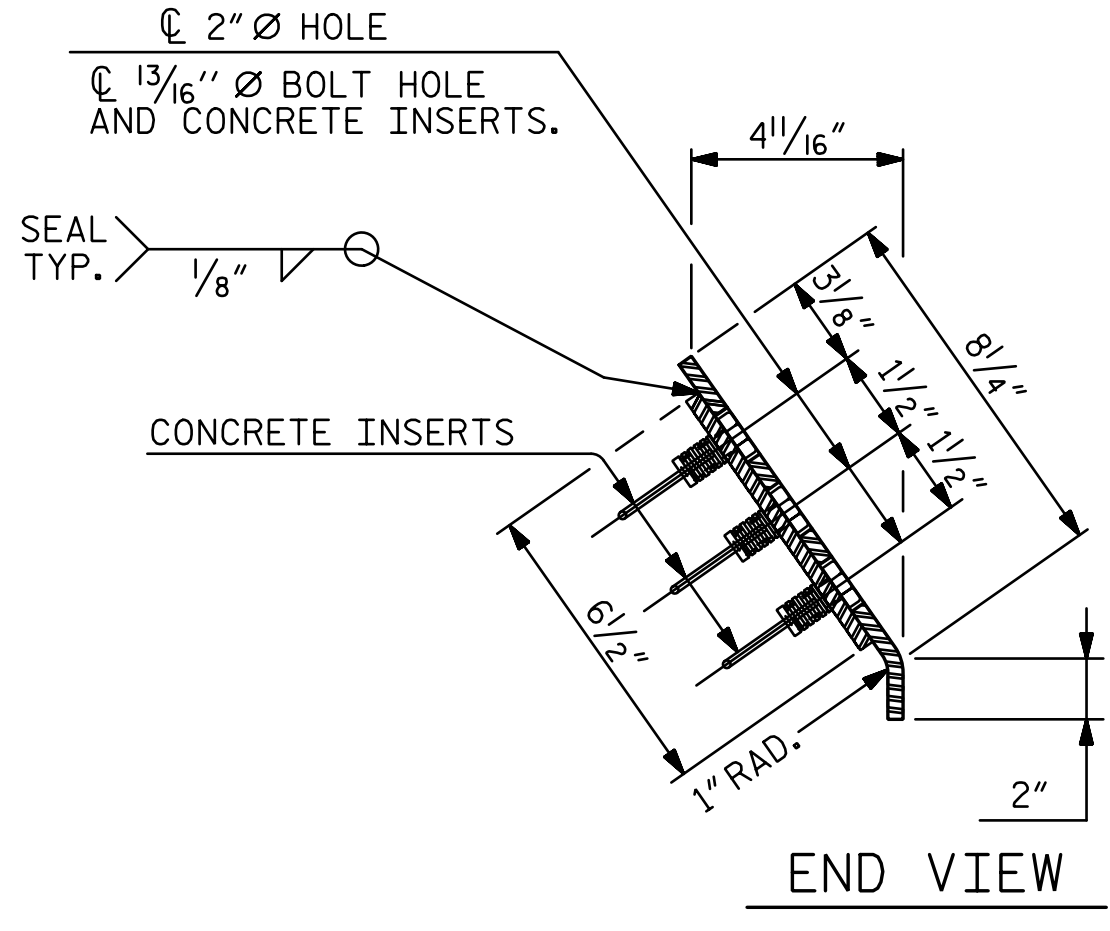


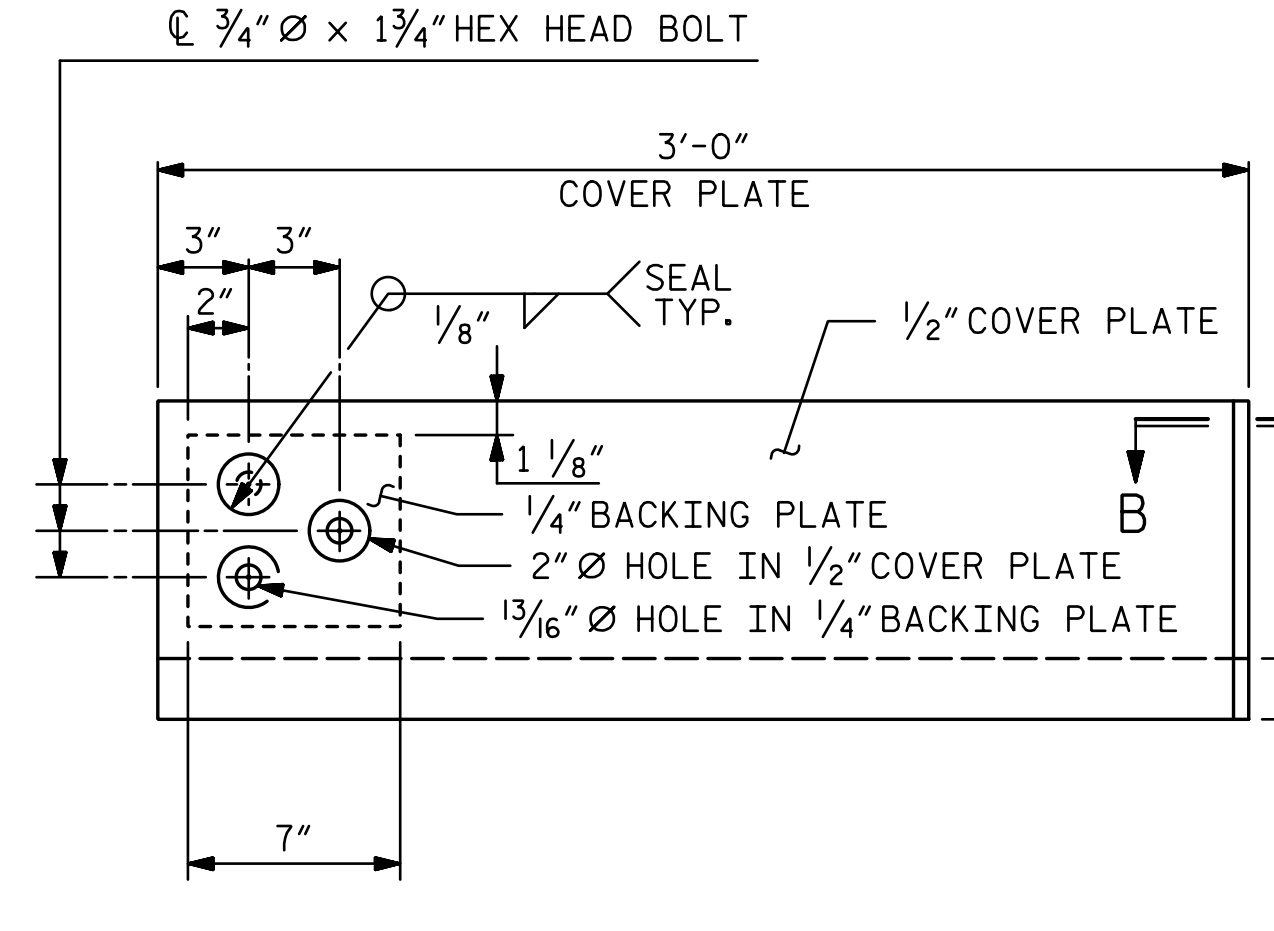
SECTION THRU RAIL NORMAL TO JOINT



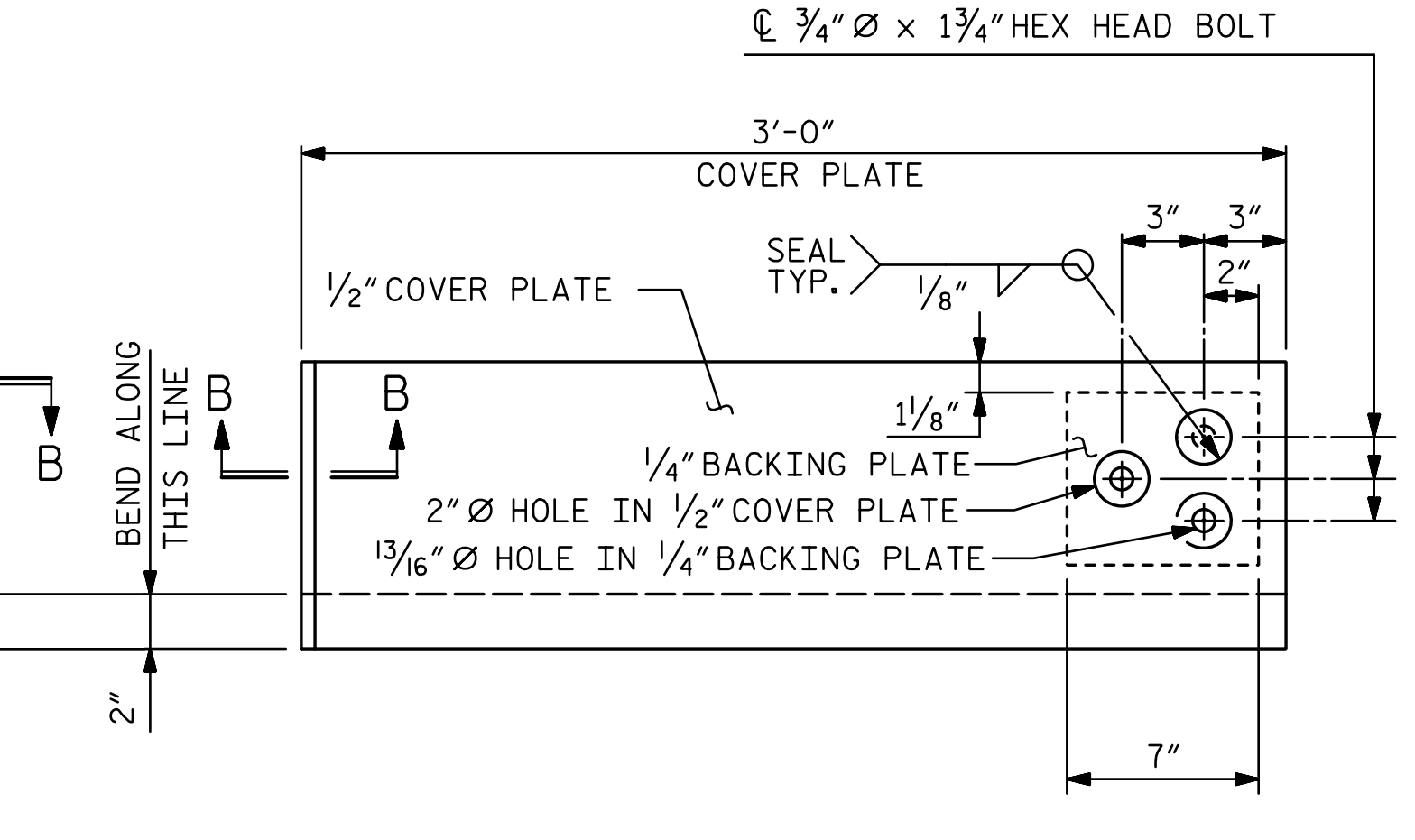
PLAN OF EXPANSION JOINT SEAL



END VIEW

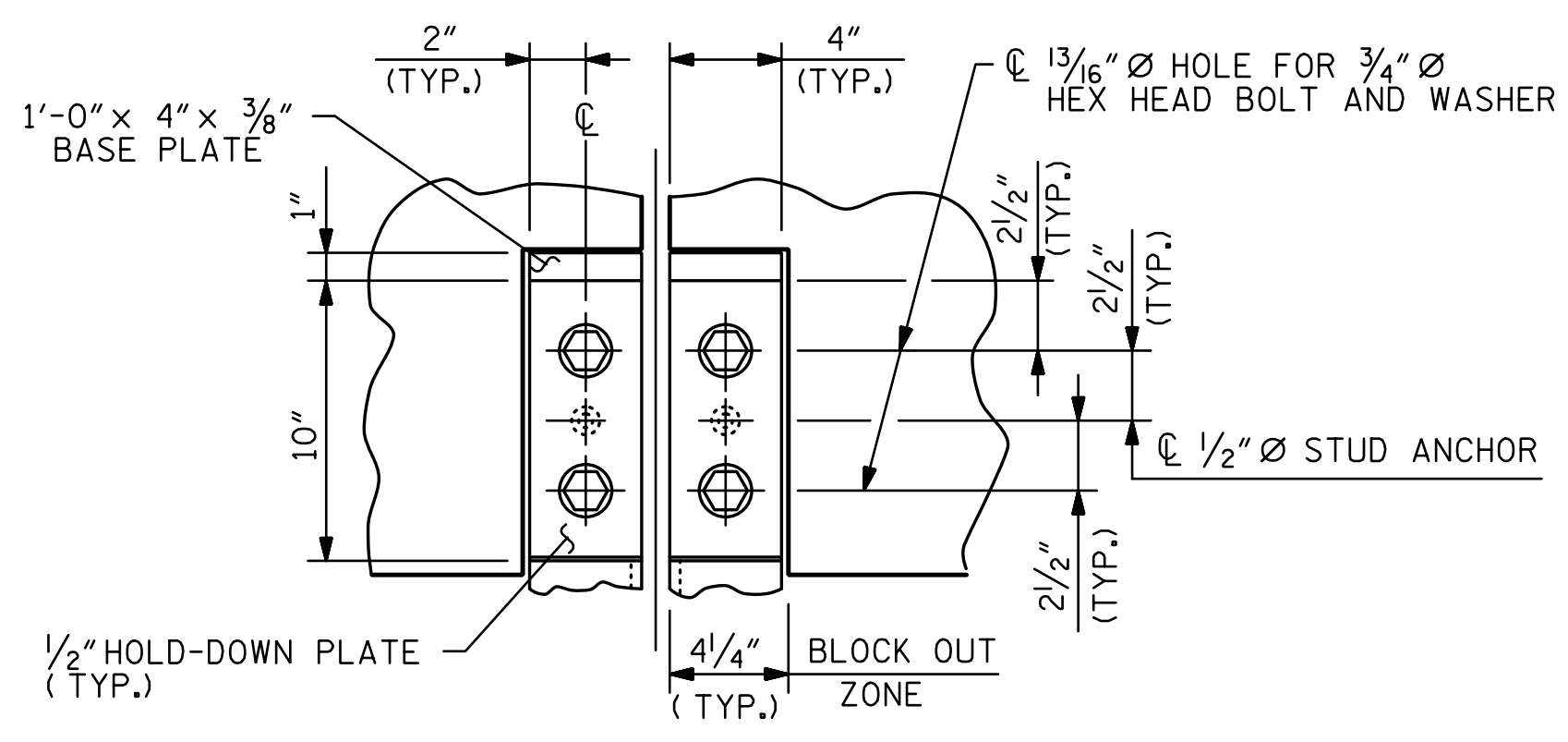


TYPE I - ELEVATION VIEW

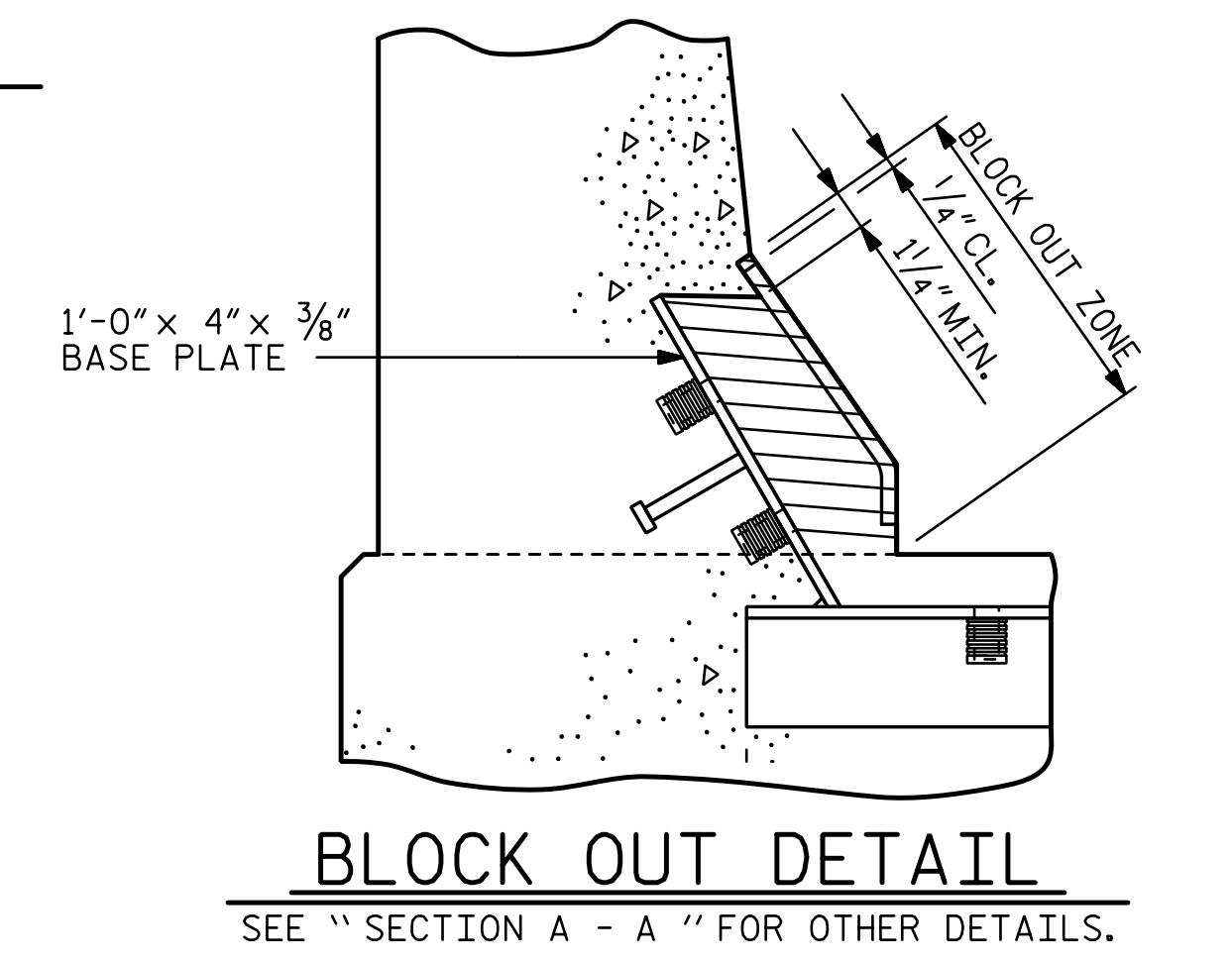


TYPE II - ELEVATION VIEW

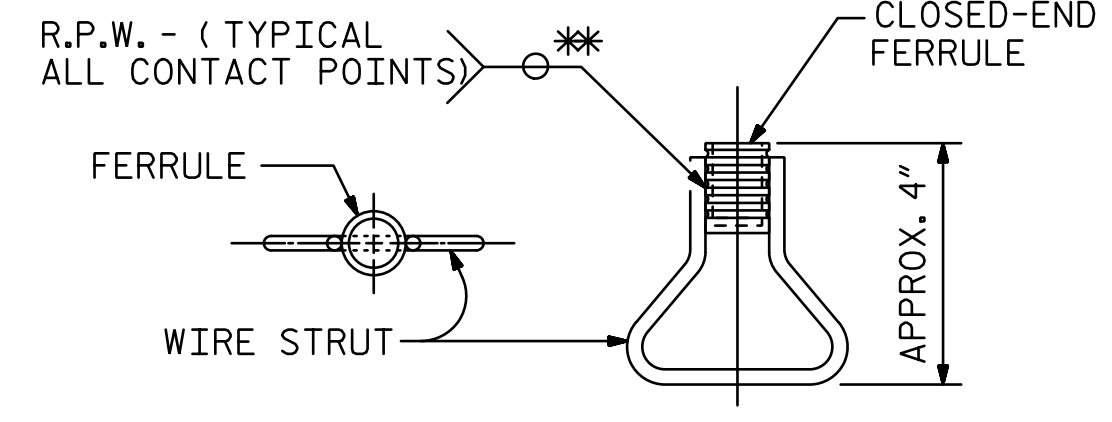
COVER PLATE DETAILS



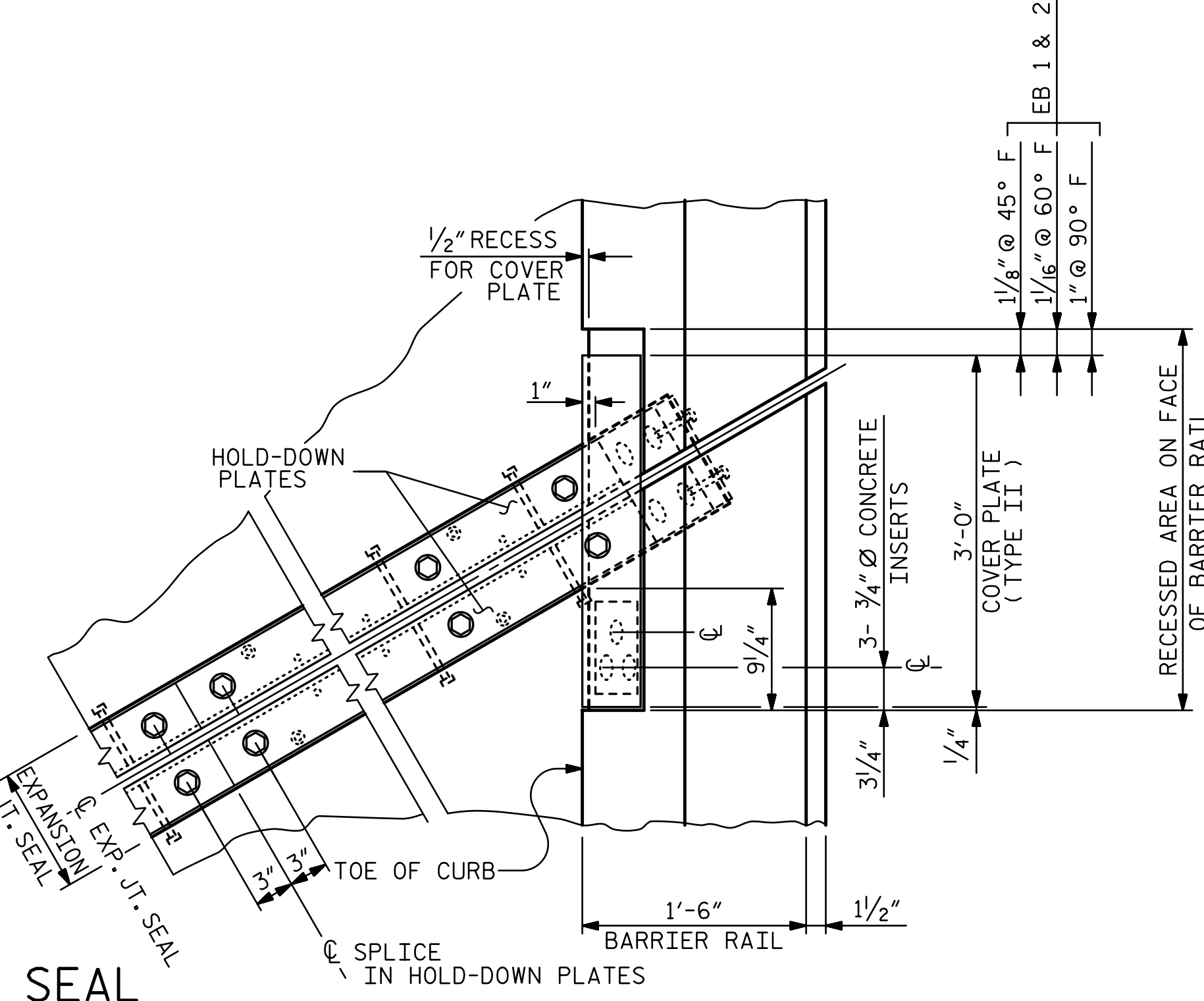
SECTION A - A



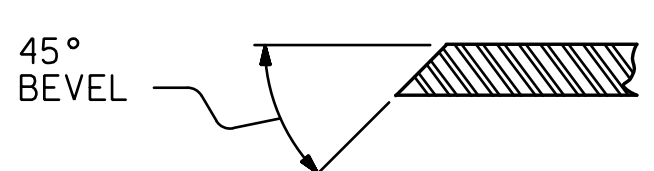
BLOCK OUT DETAIL
SEE "SECTION A - A" FOR OTHER DETAILS.



CONCRETE INSERT



SECTION B - B



45° BEVEL

PROJECT NO. **R-2514D**
JONES & CRAVEN COUNTY
 STATION: **526+71.12 -L-**
 = **16+08.07 -Y6-**

SHEET 2 OF 2
 STATE OF NORTH CAROLINA
 DEPARTMENT OF TRANSPORTATION
 RALEIGH
 SUPERSTRUCTURE
EXPANSION JOINT SEAL DETAILS FOR BARRIER RAIL -RIGHT LANE-

DocuSigned by:
Adam J. Peter
 SEAL 35695
 ENGINEER
ADAM J. PETER
 3/10/2015

STV / Ralph Whitehead Associates, Inc.
 900 West Trade Street, Suite 715
 Charlotte, NC 28202
 NC License Number F-0991

REVISIONS				SHEET NO.
NO.	BY:	DATE:	NO.	DATE:
1			3	
2			4	

TOTAL SHEETS: 38

3/6/2015 9:08:41 AM R:\Site 6\usta\Finals\Site 6 RL\412_02LR2514D_SMU_EJUS02.dgn