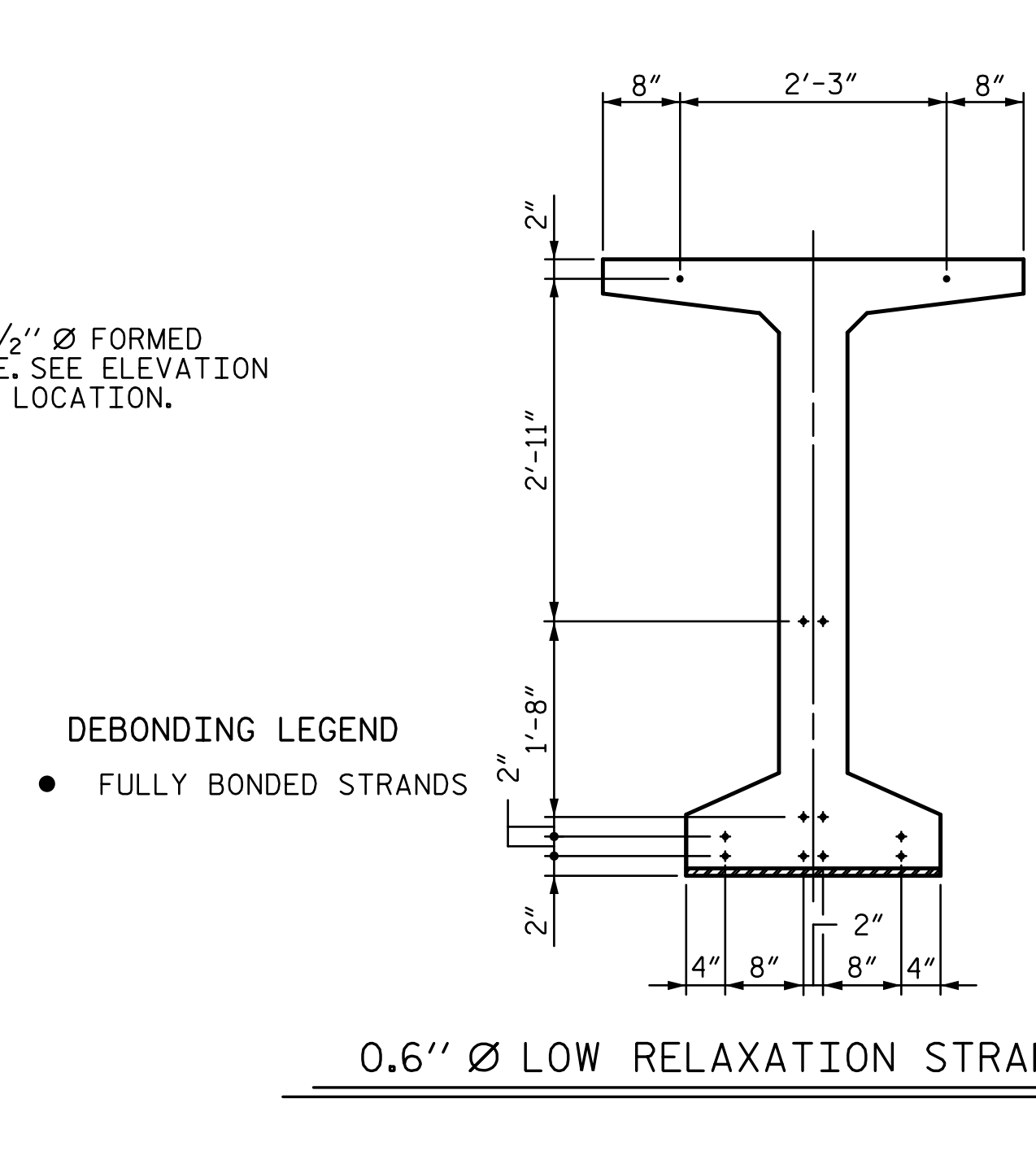
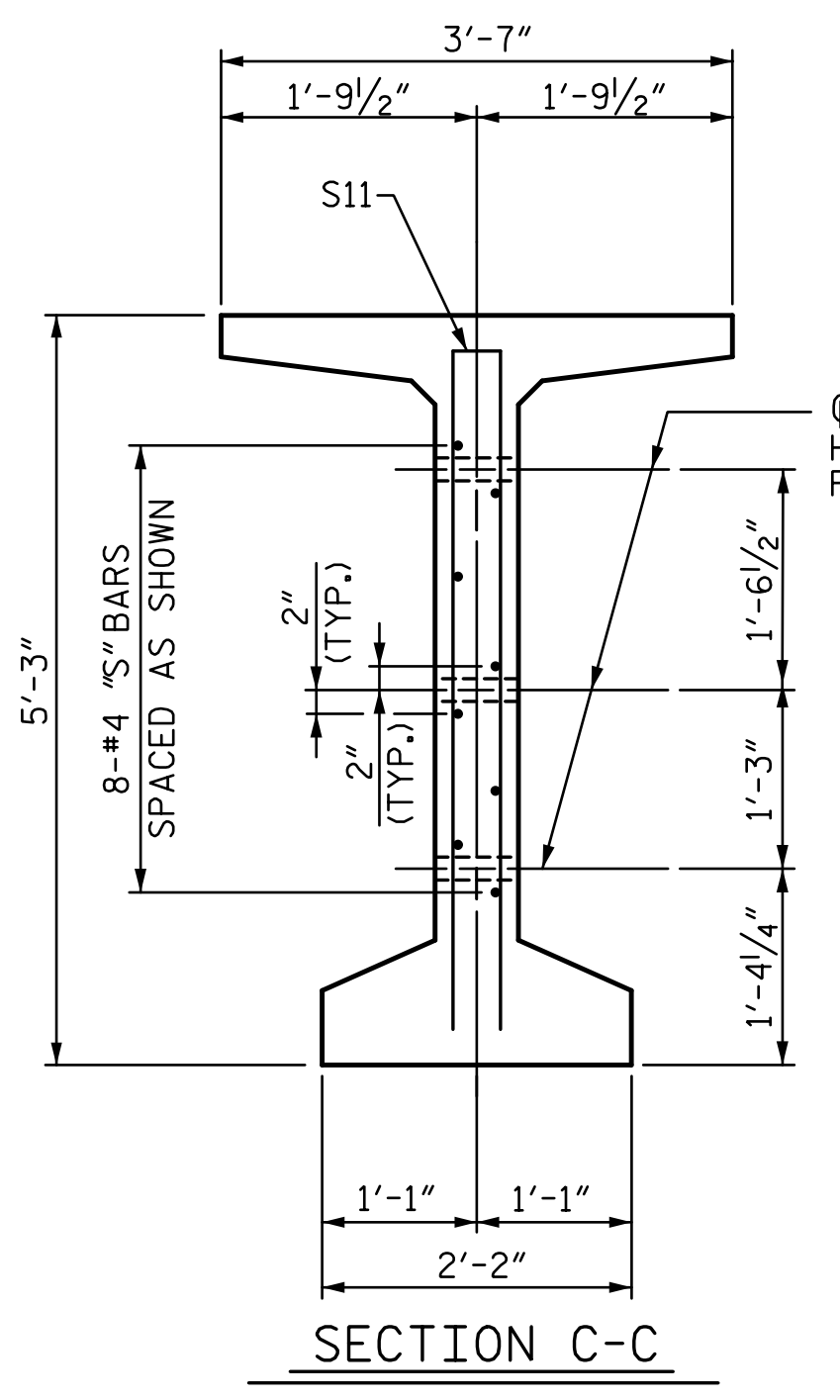
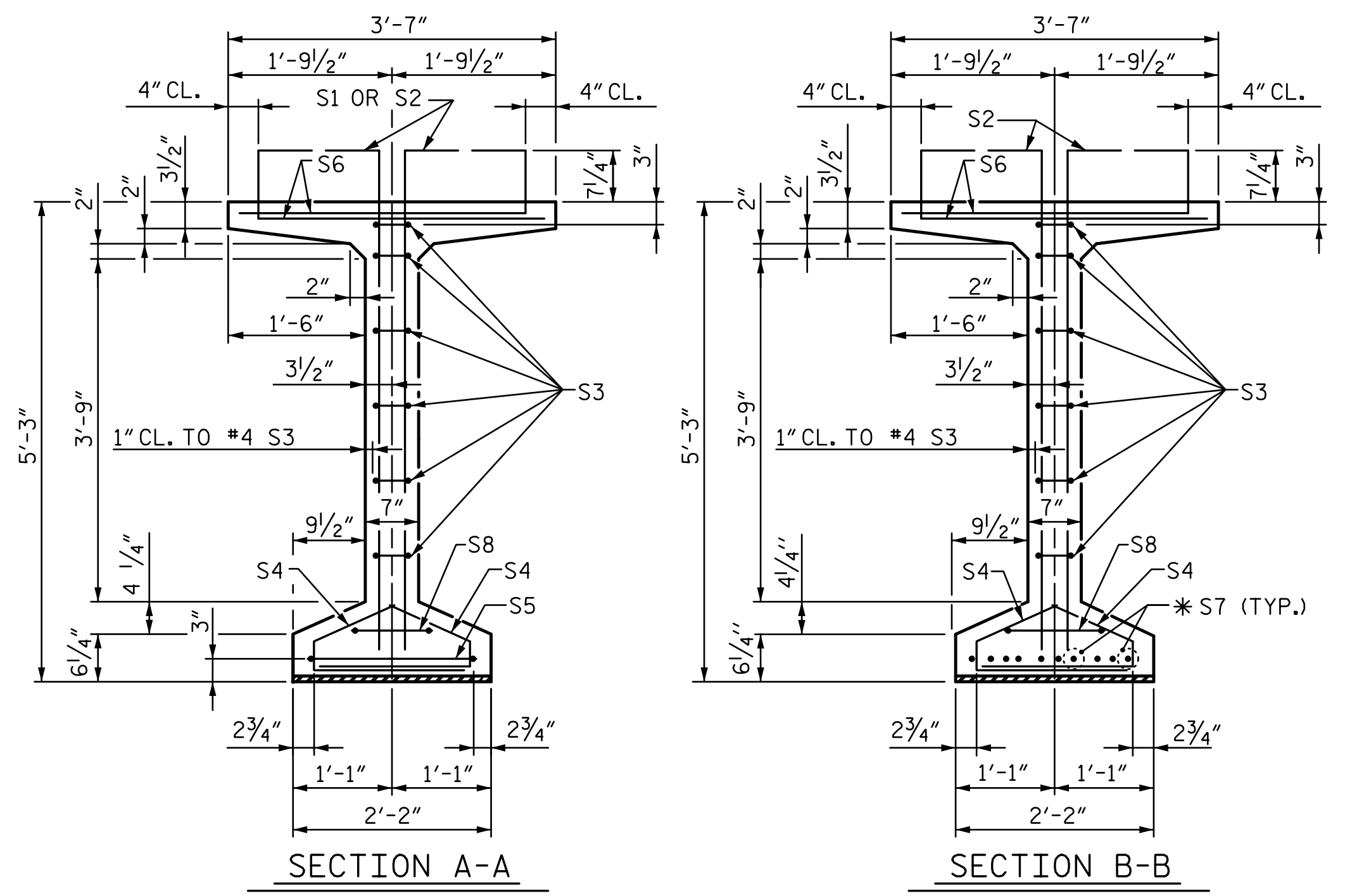


4/10/2015 9:49:59 AM I:\Projects\25550\25550\0002\50\_Deliverables & Submittals\VR-2554D\Structures\Site 6\usta\Finals\Site 6 RL\412\_OIL\_R2514D\_SMU\_PCC01.dgn

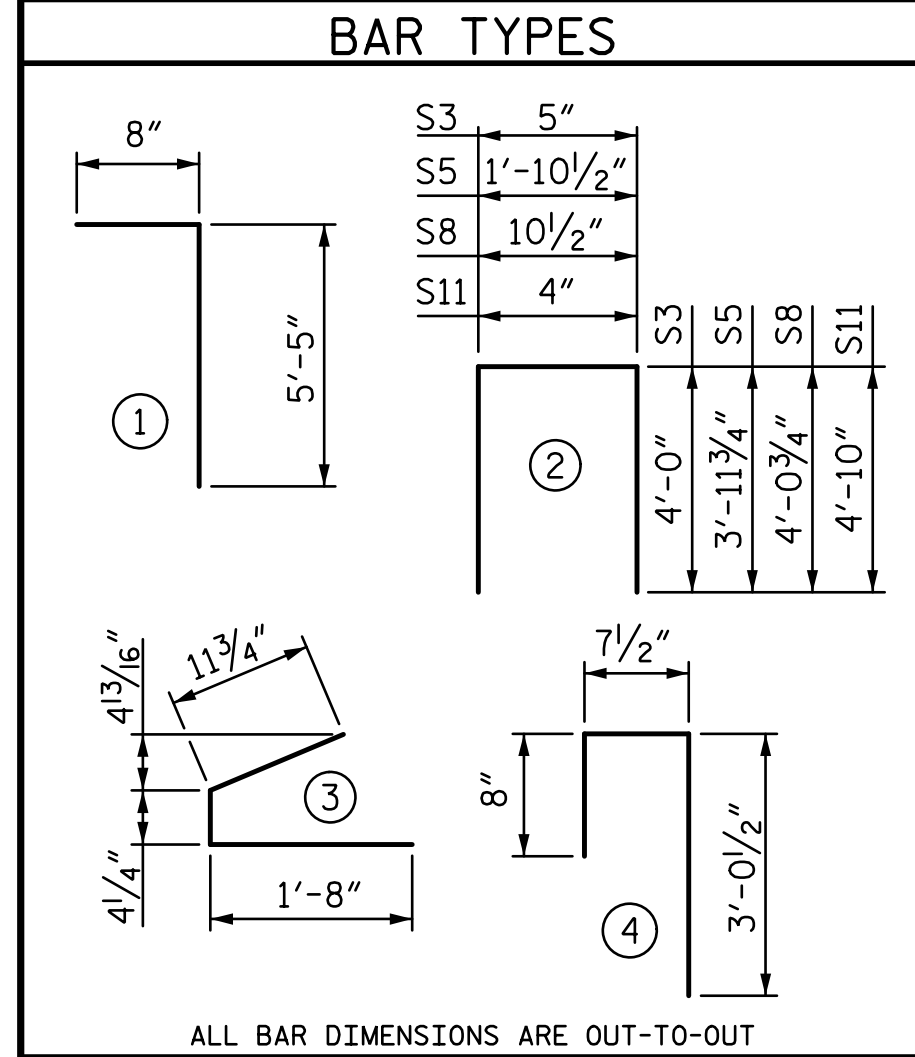


- NOTES:**
- FOR DIAPHRAGM HOLE LOCATIONS, SEE 'FRAMING PLAN' SHEET.
  - FOR GIRDER DETAILS, SEE SHEET 3 OF 3.
  - FOR NOTES, SEE SHEET 3 OF 3.

0.6" Ø L. R. GRADE 270 STRANDS		
AREA (SQ. INCHES)	ULTIMATE STRENGTH (LBS. PER STRAND)	APPLIED PRESTRESS (LBS. PER STRAND)
0.217	58,600	43,950

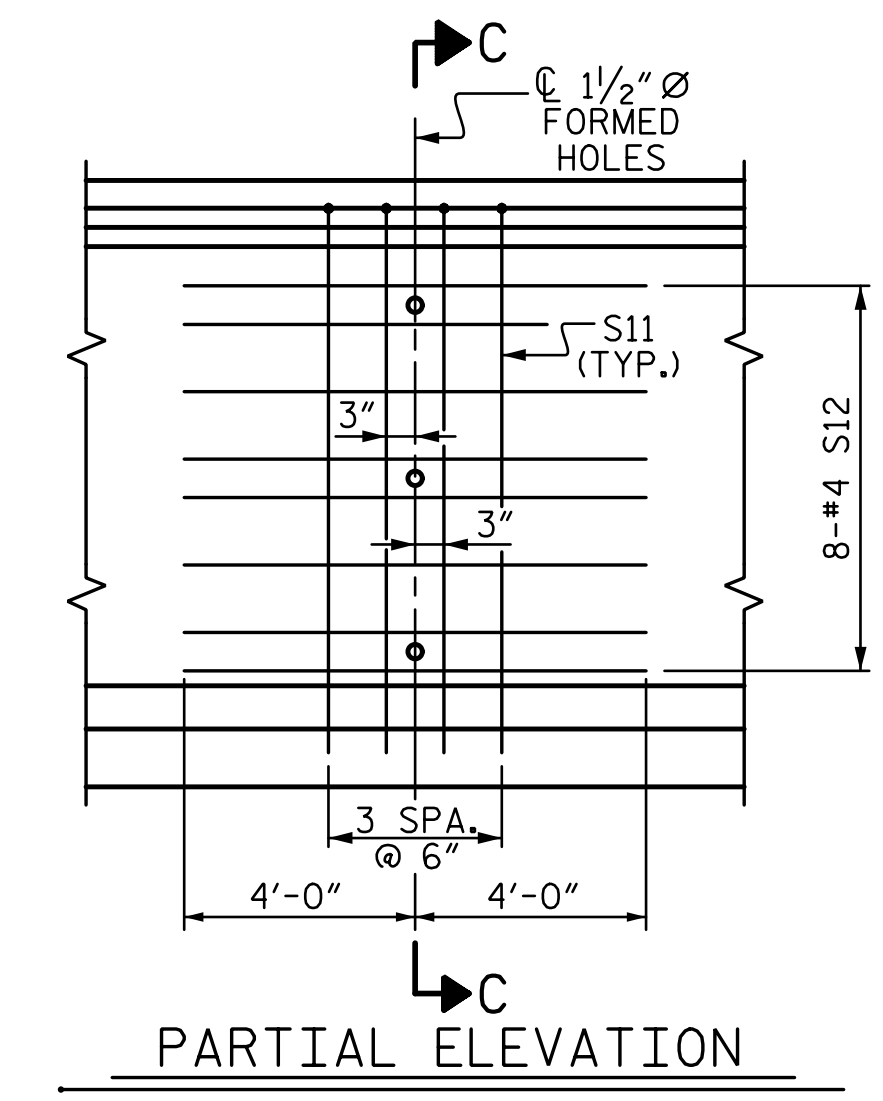
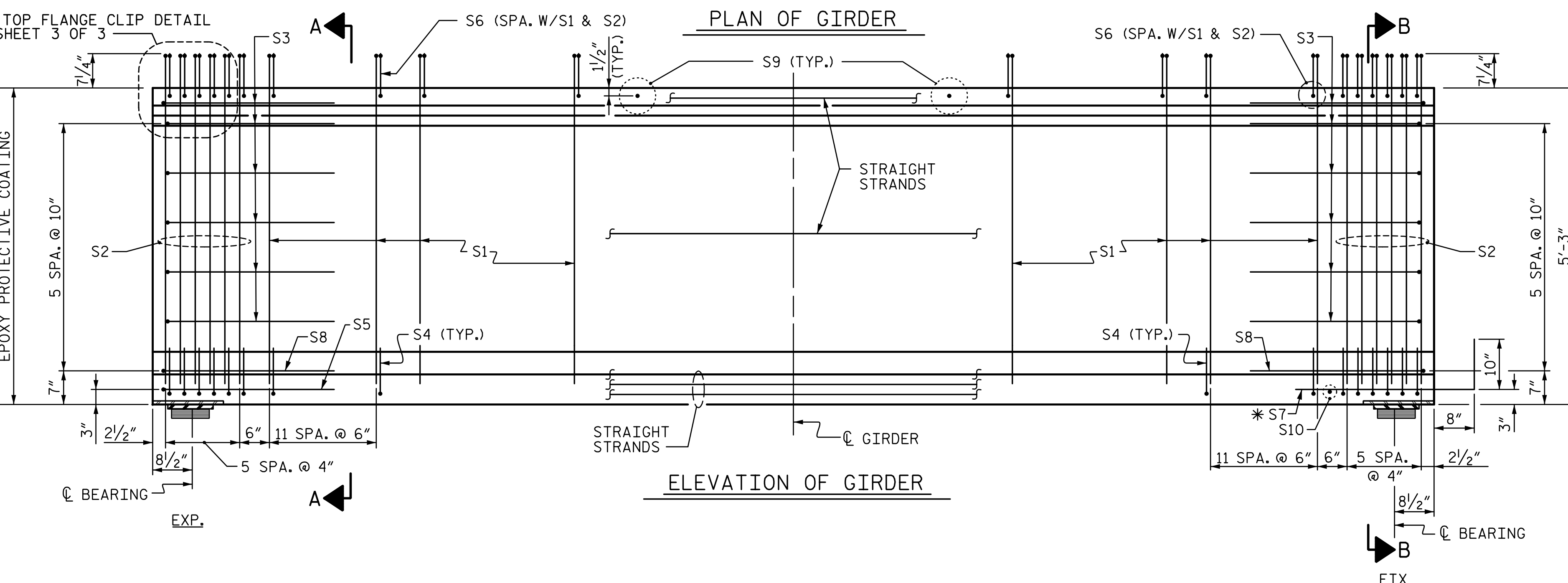
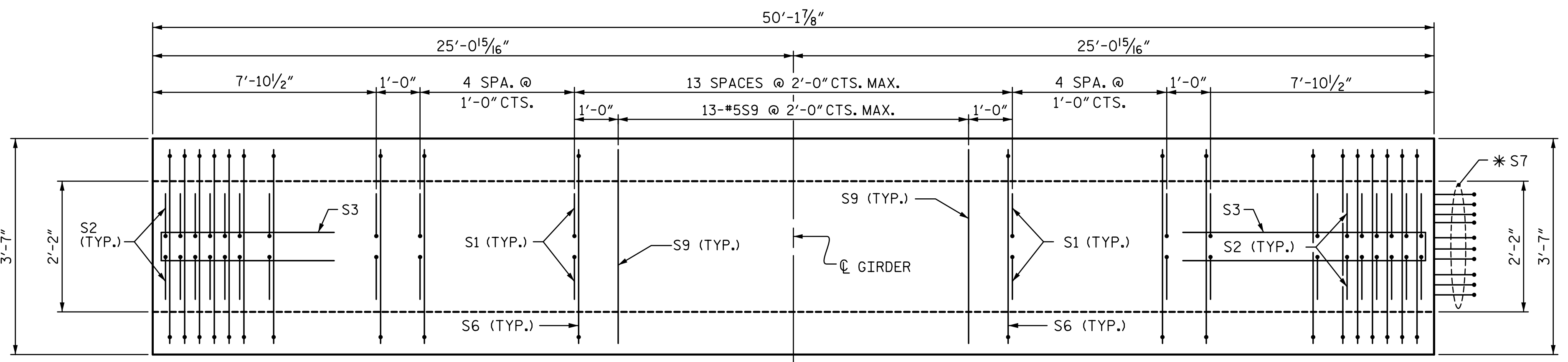
REINFORCING STEEL FOR ONE GDR						
BAR	NUMBER	SIZE	TYPE	LENGTH	WEIGHT	
S1	92	#4	1	6'-1"	374	
S2	24	#5	1	6'-1"	152	
S3	12	#4	2	8'-5"	67	
S4	72	#4	3	3'-0"	144	
S5	1	#5	2	9'-10"	10	
S6	116	#5	4	4'-4"	524	
*S7	10	#5	STR	3'-8"	38	
S8	2	#5	2	9'-0"	19	
S9	13	#5	STR	3'-3"	44	
S10	1	#3	STR	1'-10"	1	
S11	4	#5	2	10'-0"	42	
EXTERIOR GDR.	S11	8	#5	2	10'-0"	83
EXTERIOR GDR.	S12	8	#4	STR	8'-0"	43
INTERIOR GDR.	S12	16	#4	STR	8'-0"	86

\* NOTE: S7 BARS SHALL BE BENT BEFORE SHIPMENT. HEAT BENDING SHALL NOT BE ALLOWED.



QUANTITIES FOR ONE GIRDER			
	REINFORCING STEEL	8,000 PSI CONCRETE	0.6" Ø L.R. STRANDS
	LB.	C.Y.	No.
EXTERIOR GIRDER	1,458	10.0	12
INTERIOR GIRDER	1,542	10.0	12

GIRDERS REQUIRED		
NUMBER	LENGTH	TOTAL LENGTH
10	50'-1 1/8"	501'-6 3/4"

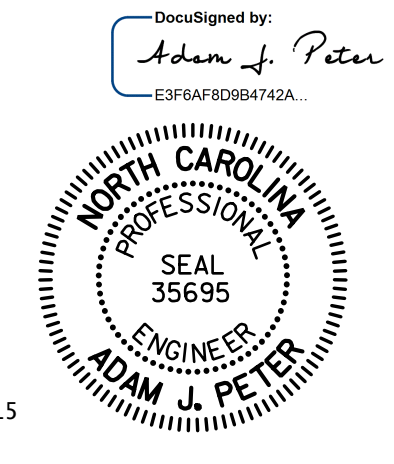


SHOWING INTERMEDIATE STEEL DIAPHRAGM REINFORCING STEEL FOR GIRDER 1 - 5

PROJECT NO. **R-2514D**  
**JONES & CRAVEN** COUNTY  
 STATION: **526+71.12 -L-**  
 = **16+08.07 -Y6-**

SHEET 1 OF 3

STATE OF NORTH CAROLINA  
 DEPARTMENT OF TRANSPORTATION  
 RALEIGH  
 SUPERSTRUCTURE  
**63" PRESTRESSED CONCRETE  
 MODIFIED BULB TEE  
 CONTINUOUS FOR LIVE LOAD  
 SPANS A & C  
 -RIGHT LANE-**



4/10/2015

DRAWN BY: CLG DATE: 5-14  
 CHECKED BY: TJT DATE: 6-14  
 DESIGN ENGINEER OF RECORD: T. TOWNSEND DATE: 6-14

STV / Ralph Whitehead Associates, Inc.  
 900 West Trade Street, Suite 715  
 Charlotte, NC 28202  
 NC License Number F-0991

REVISIONS				SHEET NO.	
NO.	BY:	DATE:	NO.	BY:	DATE:
1			3		
2			4		

TOTAL SHEETS: 38