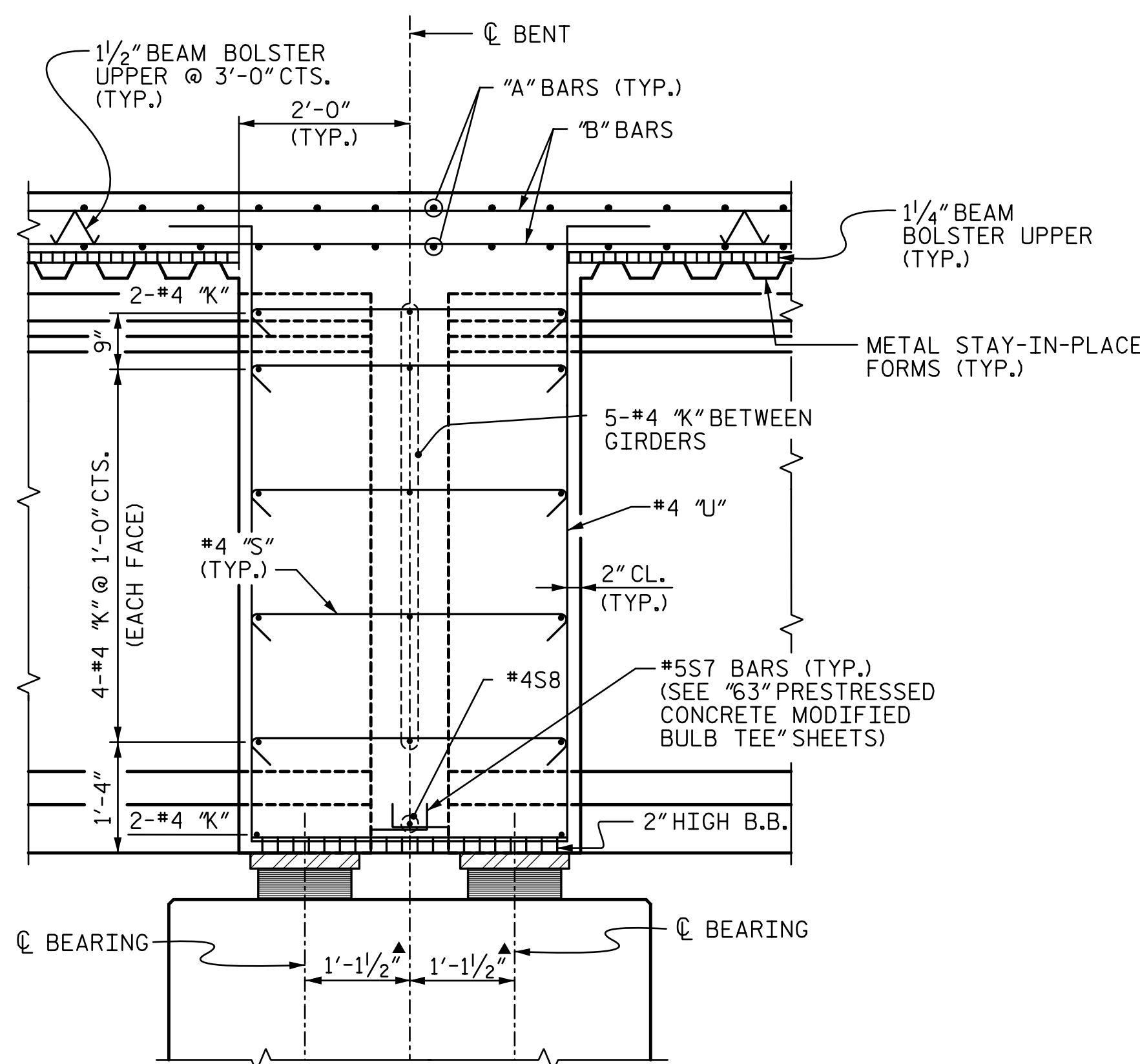


SECTION A-A

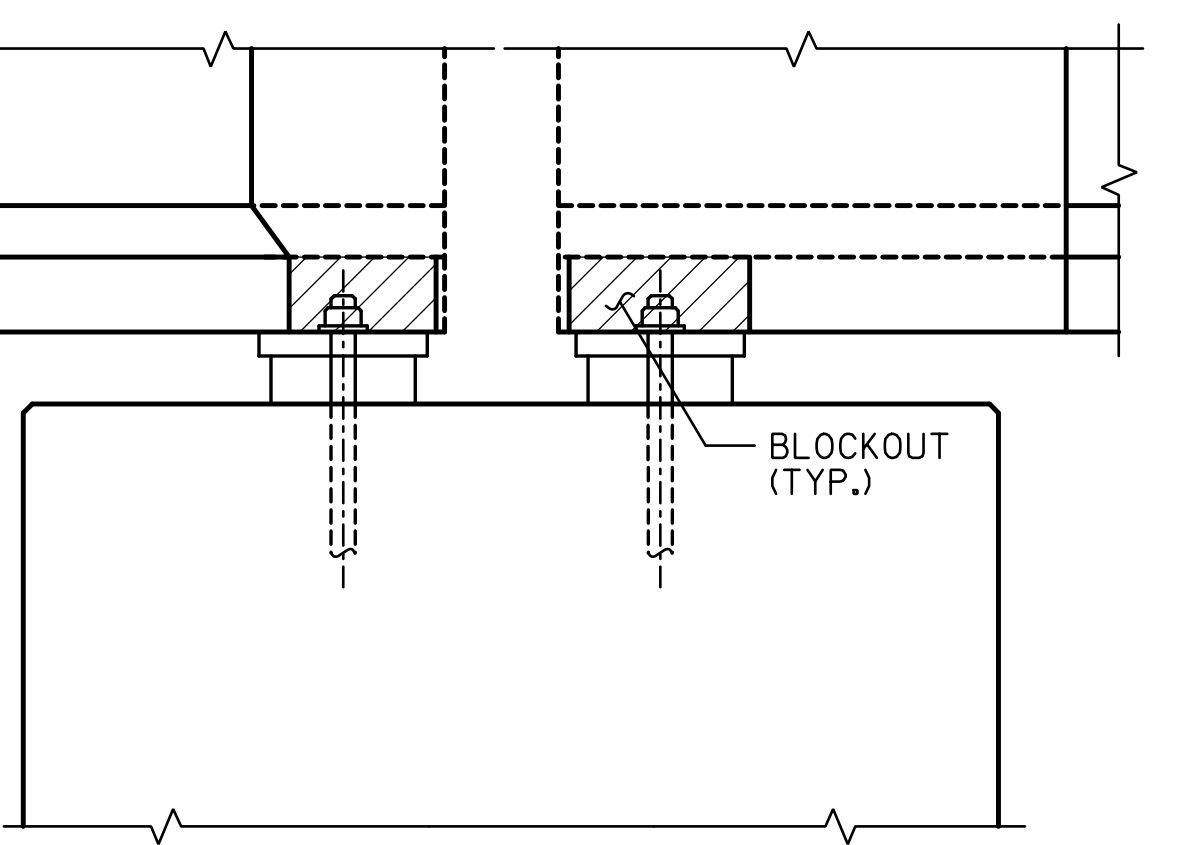
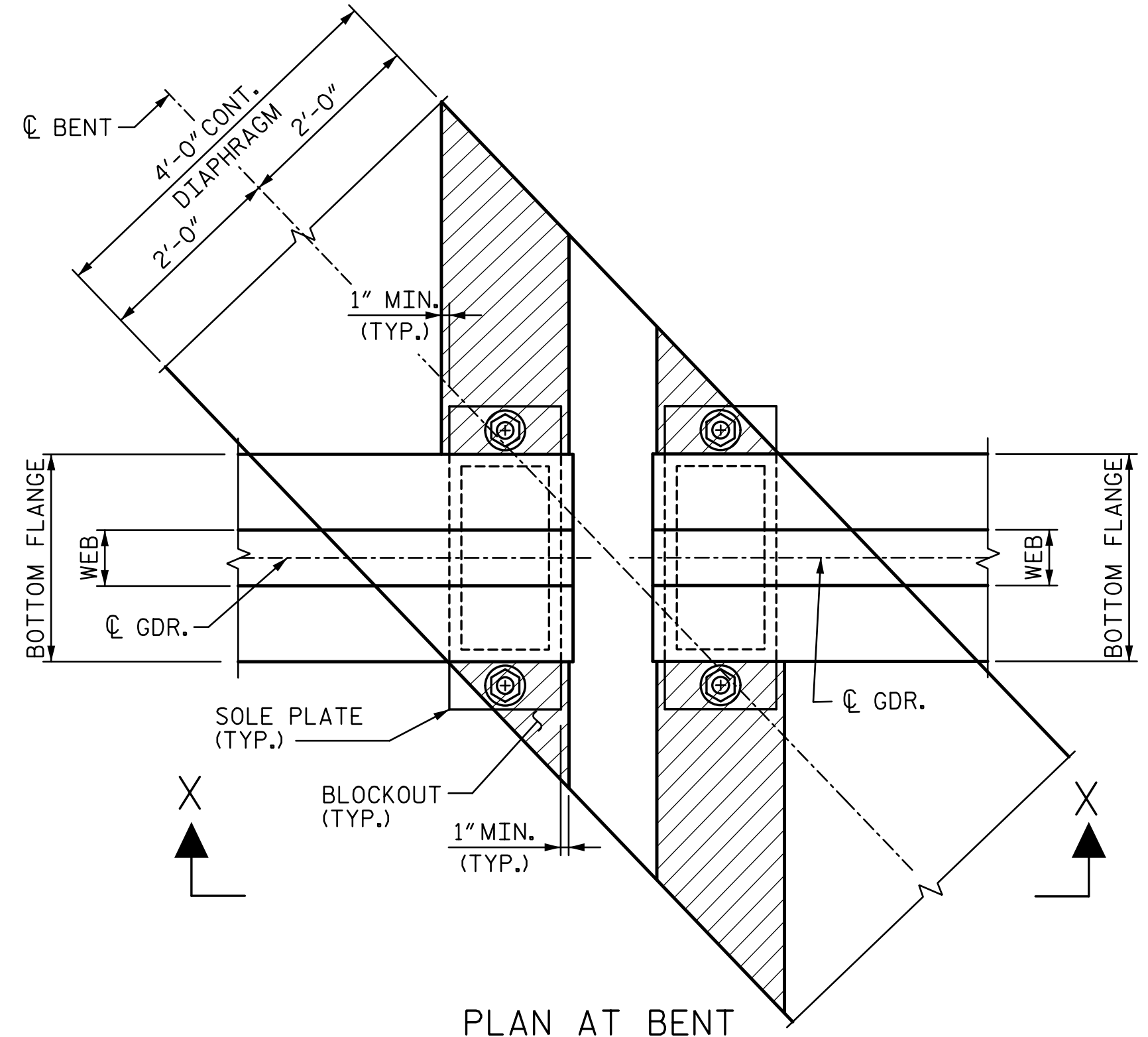
END DIAPHRAGM AT END BENT 1 SHOWN, END BENT 2 MIRRORED
("J" BAR USED WITH STANDARD EXP. JT. NOT SHOWN)



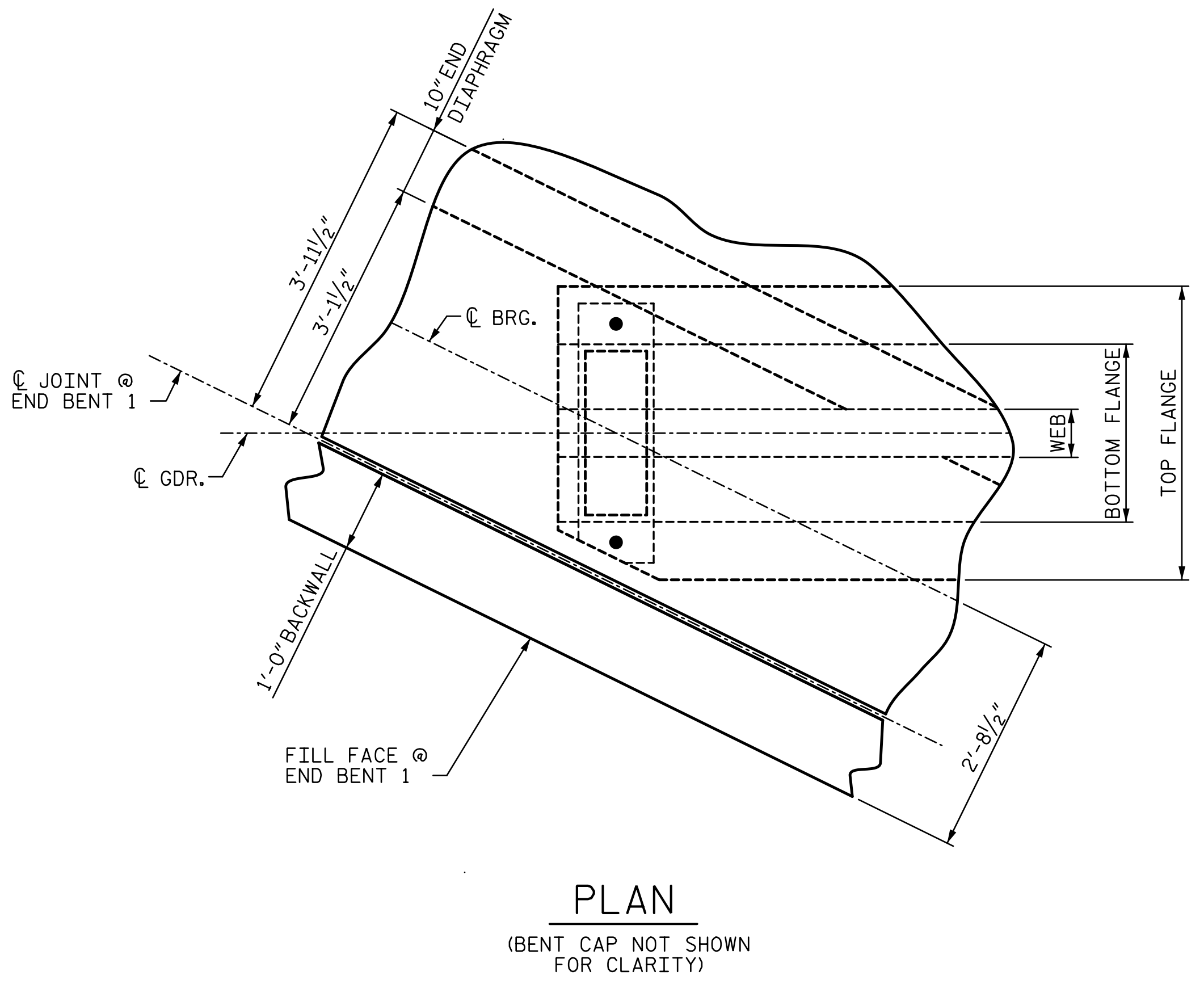
SECTION B-B

CONTINUOUS DIAPHRAGM AT BENT 1 & 2

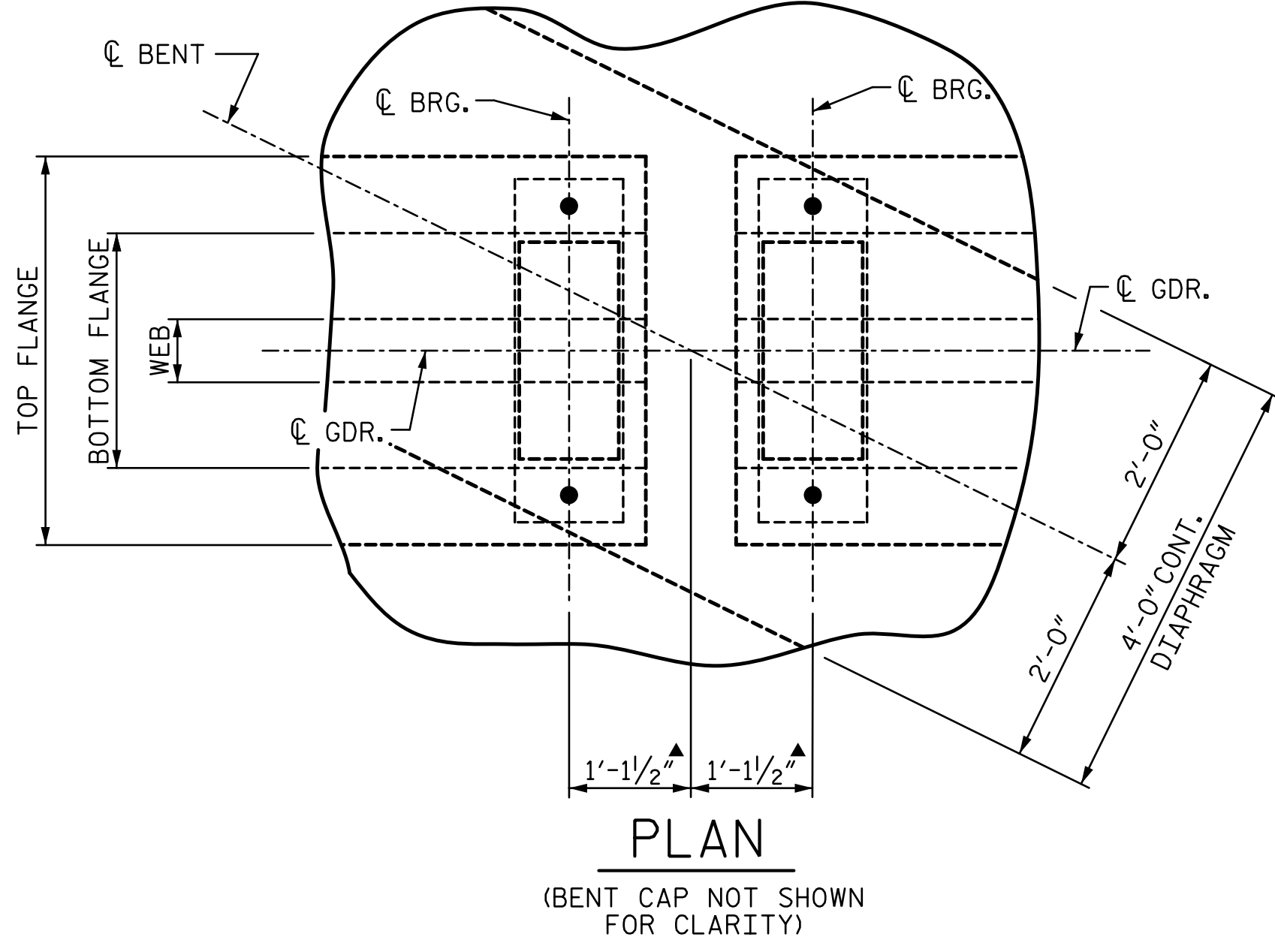
▲ DIMENSIONS ARE MEASURED ALONG C GIRD.



SECTION X-X
CONTINUOUS DIAPHRAGM
BLOCKOUT DETAILS



PLAN
(BENT CAP NOT SHOWN FOR CLARITY)



PLAN
(BENT CAP NOT SHOWN FOR CLARITY)

PROJECT NO. R-2514D
JONES & CRAVEN COUNTY
 STATION: 526+71.12 -L-
= 16+08.07 -Y6-



STATE OF NORTH CAROLINA
 DEPARTMENT OF TRANSPORTATION
 RALEIGH
 SUPERSTRUCTURE
SUPERSTRUCTURE
DETAILS
-RIGHT LANE-

DRAWN BY: <u>CLG</u>	DATE: <u>5-14</u>	DESIGN ENGINEER OF RECORD: <u>A. PETER</u>	DATE: <u>6-14</u>
CHECKED BY: <u>AJP</u>	DATE: <u>5-14</u>		

STV / Ralph Whitehead Associates, Inc.
 900 West Trade Street, Suite 715
 Charlotte, NC 28202
 NC License Number F-0991

REVISIONS				SHEET NO.
NO.	BY:	DATE:	NO.	DATE:
1			3	
2			4	

TOTAL SHEETS: 38

R:\Site 6\usta\Finals\Site 6 RL\412_006_R2514D_SMU_DS.dgn
 3/6/2015 9:08:35 AM