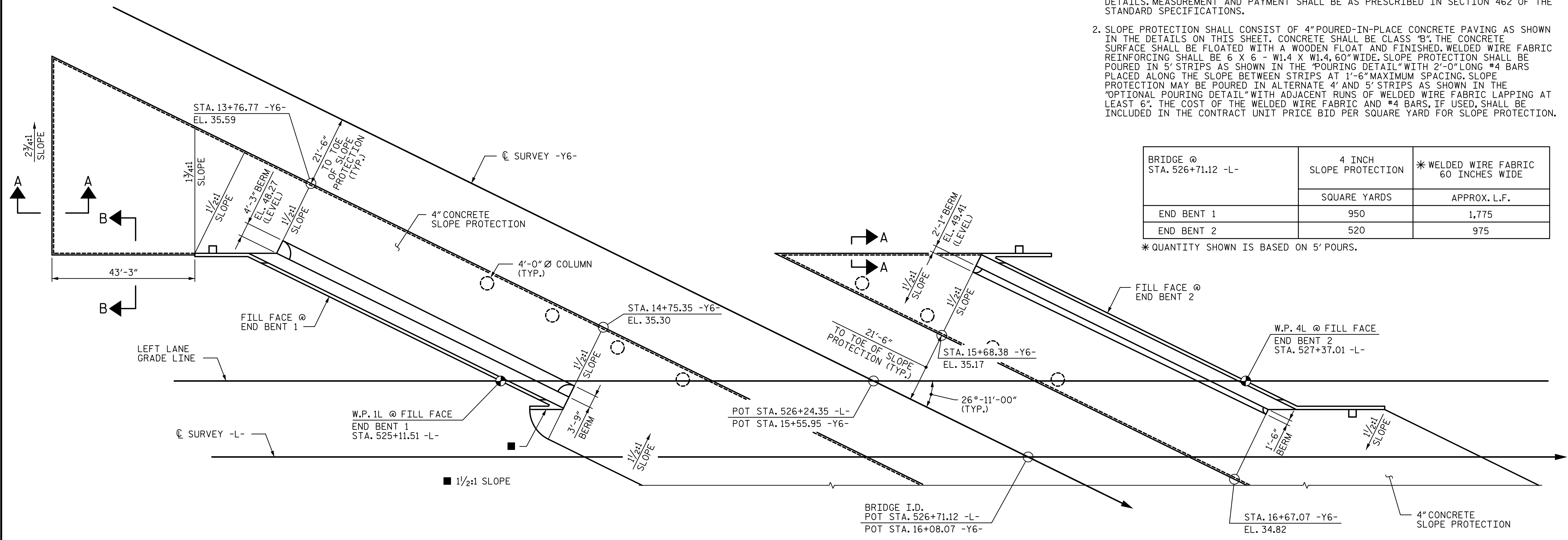


**NOTES:**

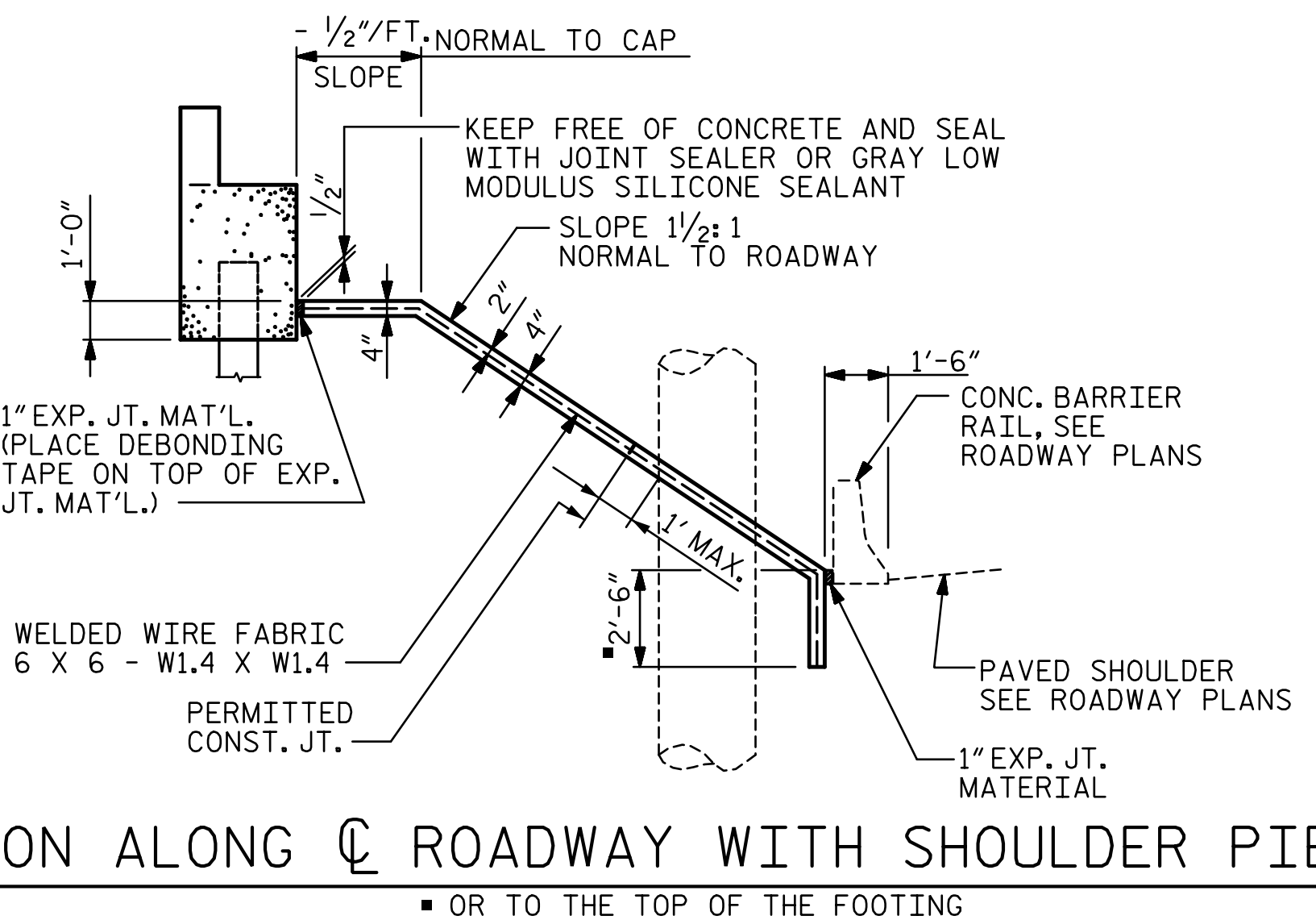
- SLOPE PROTECTION SHALL BE PLACED UNDER THE ENDS OF THE BRIDGE AS SHOWN IN THE DETAILS. MEASUREMENT AND PAYMENT SHALL BE AS PRESCRIBED IN SECTION 462 OF THE STANDARD SPECIFICATIONS.
- SLOPE PROTECTION SHALL CONSIST OF 4" POURED-IN-PLACE CONCRETE PAVING AS SHOWN IN THE DETAILS ON THIS SHEET. CONCRETE SHALL BE CLASS 'B'. THE CONCRETE SURFACE SHALL BE FLOATED WITH A WOODEN FLOAT AND FINISHED. WELDED WIRE FABRIC REINFORCING SHALL BE 6 X 6 - W1.4 X W1.4, 60" WIDE. SLOPE PROTECTION SHALL BE POURED IN 5' STRIPS AS SHOWN IN THE "POURING DETAIL" WITH 2'-0" LONG #4 BARS PLACED ALONG THE SLOPE BETWEEN STRIPS AT 1'-6" MAXIMUM SPACING. SLOPE PROTECTION MAY BE POURED IN ALTERNATE 4' AND 5' STRIPS AS SHOWN IN THE "OPTIONAL POURING DETAIL" WITH ADJACENT RUNS OF WELDED WIRE FABRIC LAPPING AT LEAST 6". THE COST OF THE WELDED WIRE FABRIC AND #4 BARS, IF USED, SHALL BE INCLUDED IN THE CONTRACT UNIT PRICE BID PER SQUARE YARD FOR SLOPE PROTECTION.

BRIDGE @ STA. 526+71.12 -L-	4 INCH SLOPE PROTECTION	* WELDED WIRE FABRIC 60 INCHES WIDE
	SQUARE YARDS	APPROX. L.F.
END BENT 1	950	1,775
END BENT 2	520	975

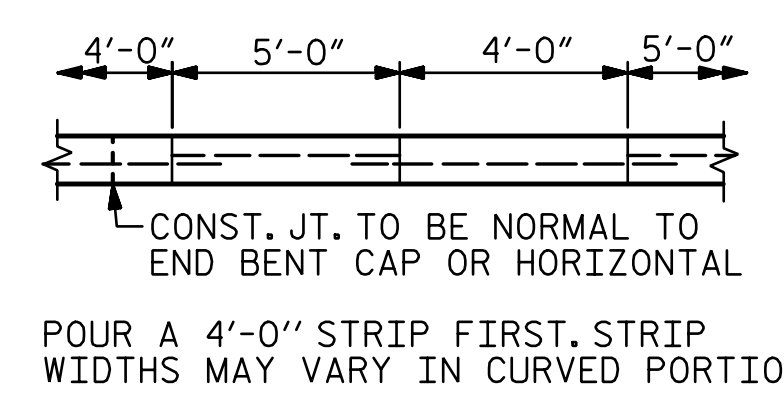
\* QUANTITY SHOWN IS BASED ON 5' POURS.



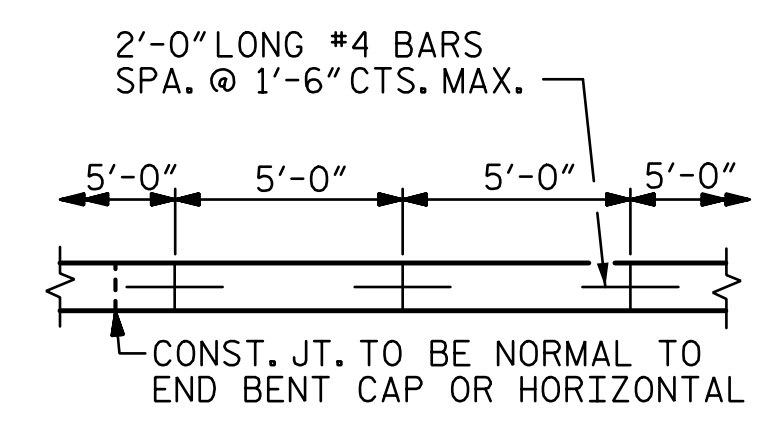
**PLAN**



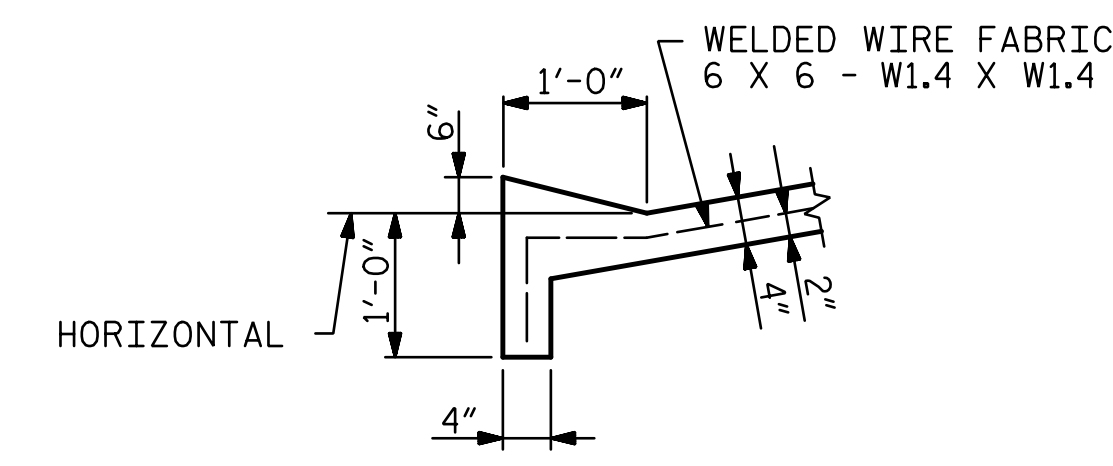
**SECTION ALONG ROADWAY WITH SHOULDER PIER**  
OR TO THE TOP OF THE FOOTING



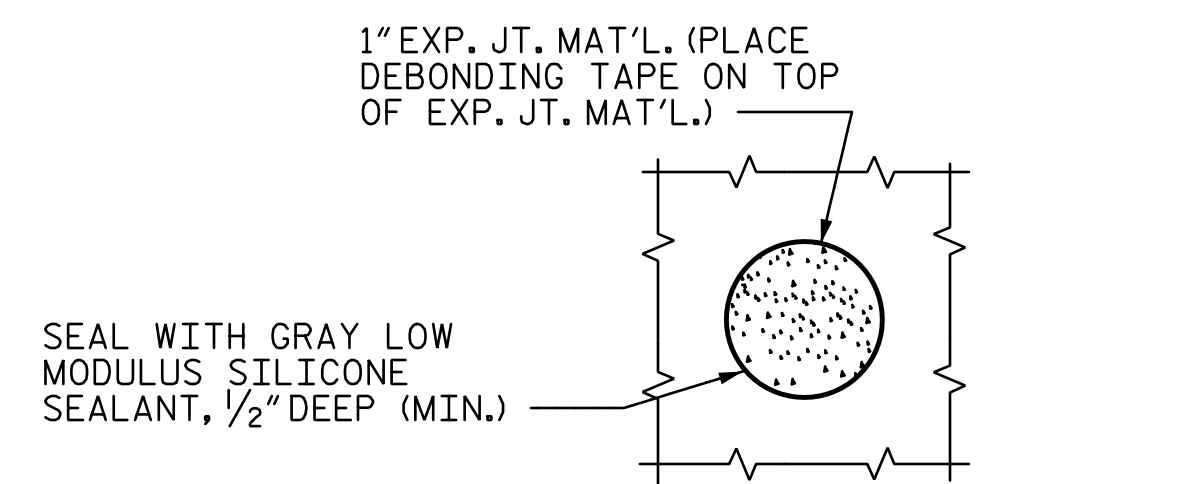
**OPTIONAL POURING DETAIL**



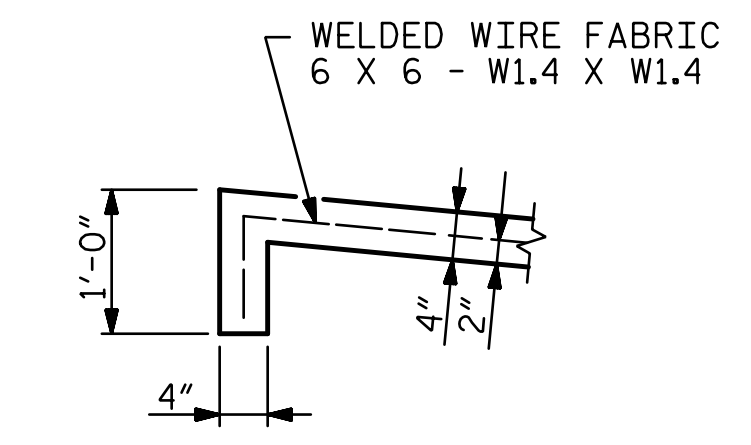
**POURING DETAIL**



**SECTION A-A**

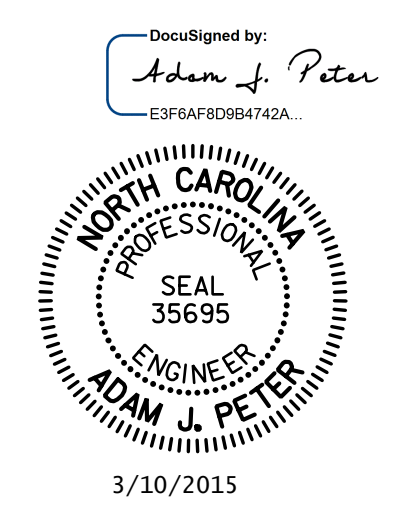


**PLAN WHERE CONCRETE SLOPE PROTECTION MUST BE PLACED AROUND A BENT COLUMN**



**SECTION B-B**

PROJECT NO. **R-2514D**  
**JONES & CRAVEN** COUNTY  
 STATION: **526+71.12 -L-**  
 = **16+08.07 -Y6-**



STATE OF NORTH CAROLINA  
 DEPARTMENT OF TRANSPORTATION  
 RALEIGH

**SLOPE PROTECTION DETAILS**

**-LEFT LANE-**

REVISIONS				SHEET NO.	
NO.	BY:	DATE:	NO.	BY:	DATE:
1			3		
2			4		

TOTAL SHEETS: 38

DRAWN BY: CLG DATE: 6-14  
 CHECKED BY: TJT DATE: 6-14  
 DESIGN ENGINEER OF RECORD: T. TOWNSEND DATE: 6-14

STV / Ralph Whitehead Associates, Inc.  
 900 West Trade Street, Suite 715  
 Charlotte, NC 28202  
 NC License Number F-0991

R:\Site 6\ustaf\Finals\Site 6 LL\41L\_035\_R2514D\_SMU\_SPD.dgn  
 3/6/2015 9:09:37 AM