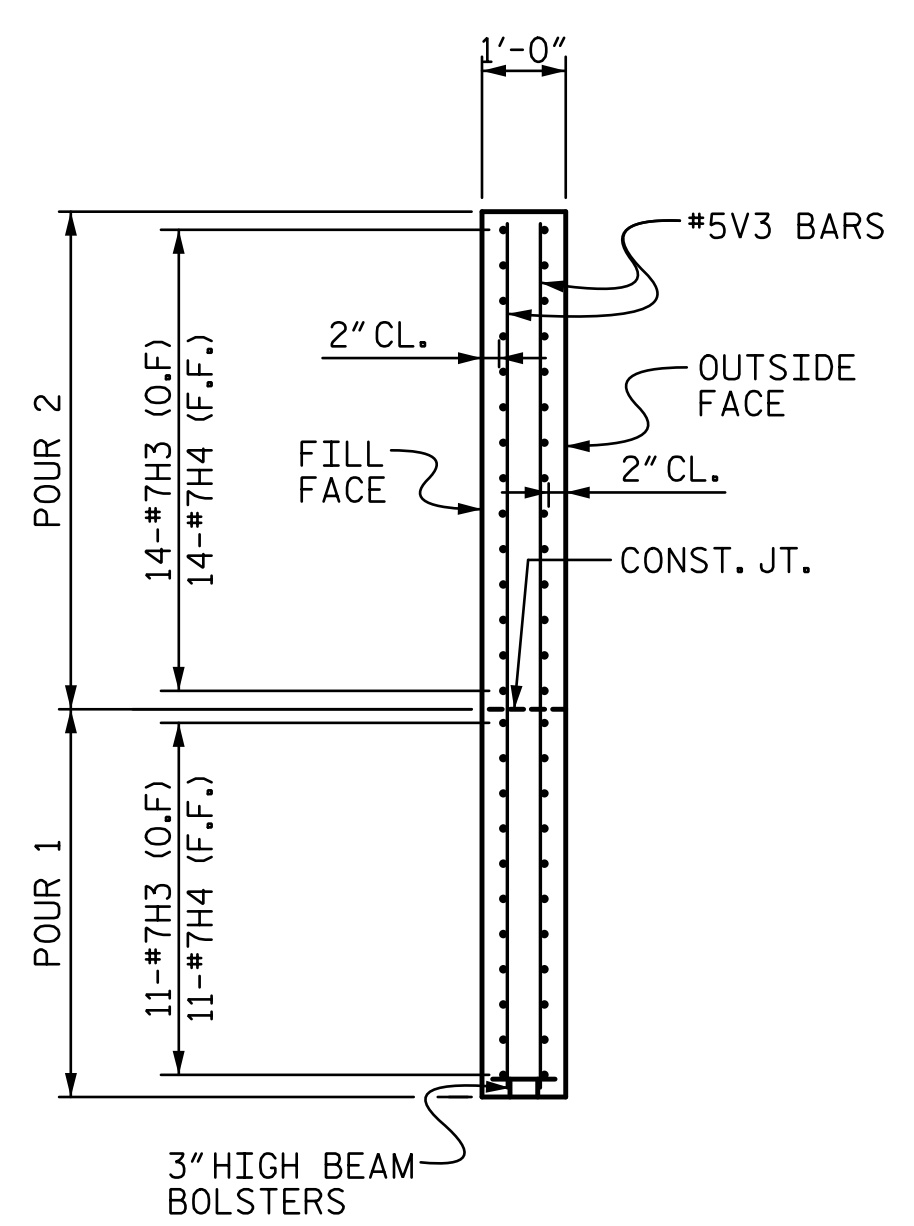
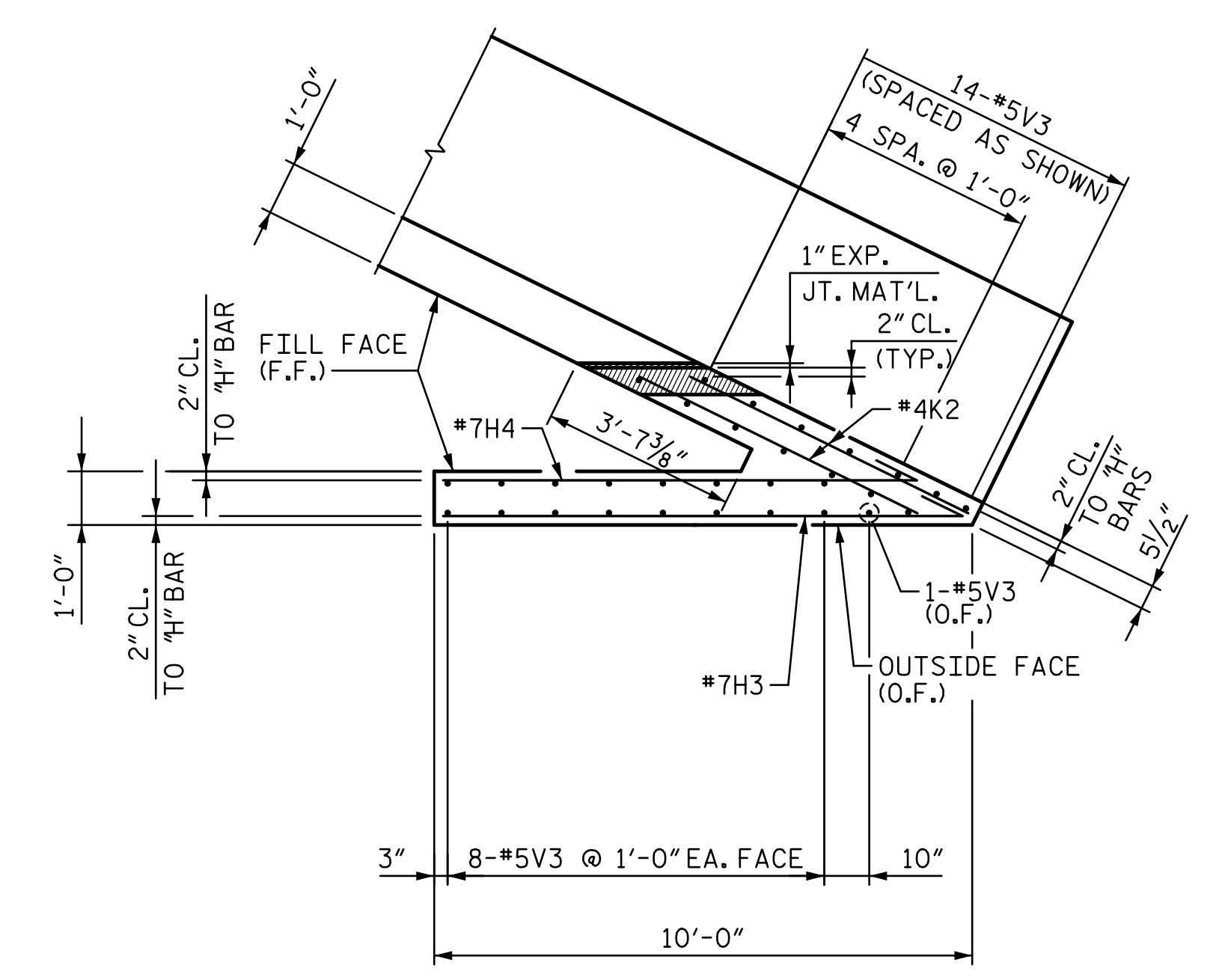


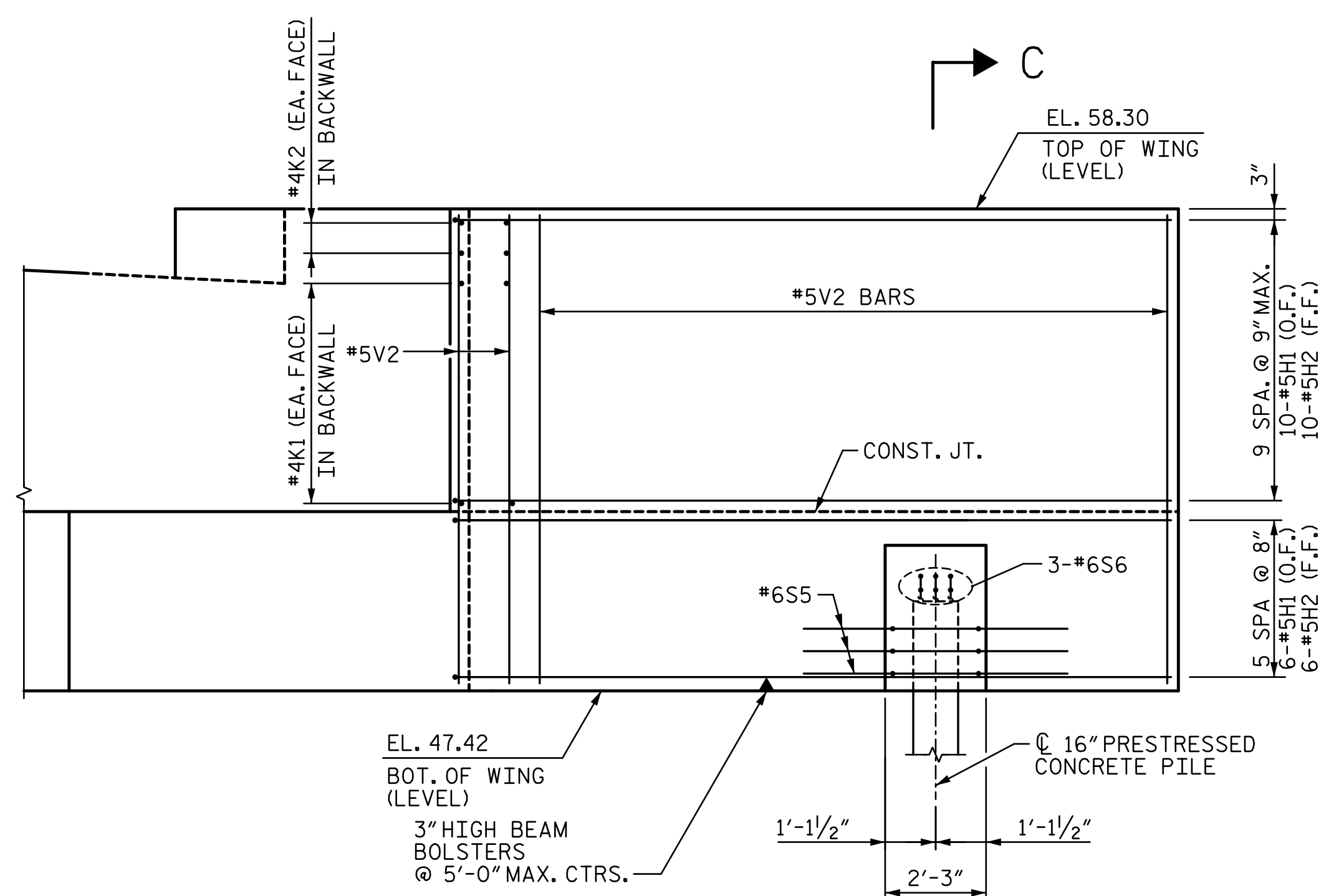
PLAN (W1)



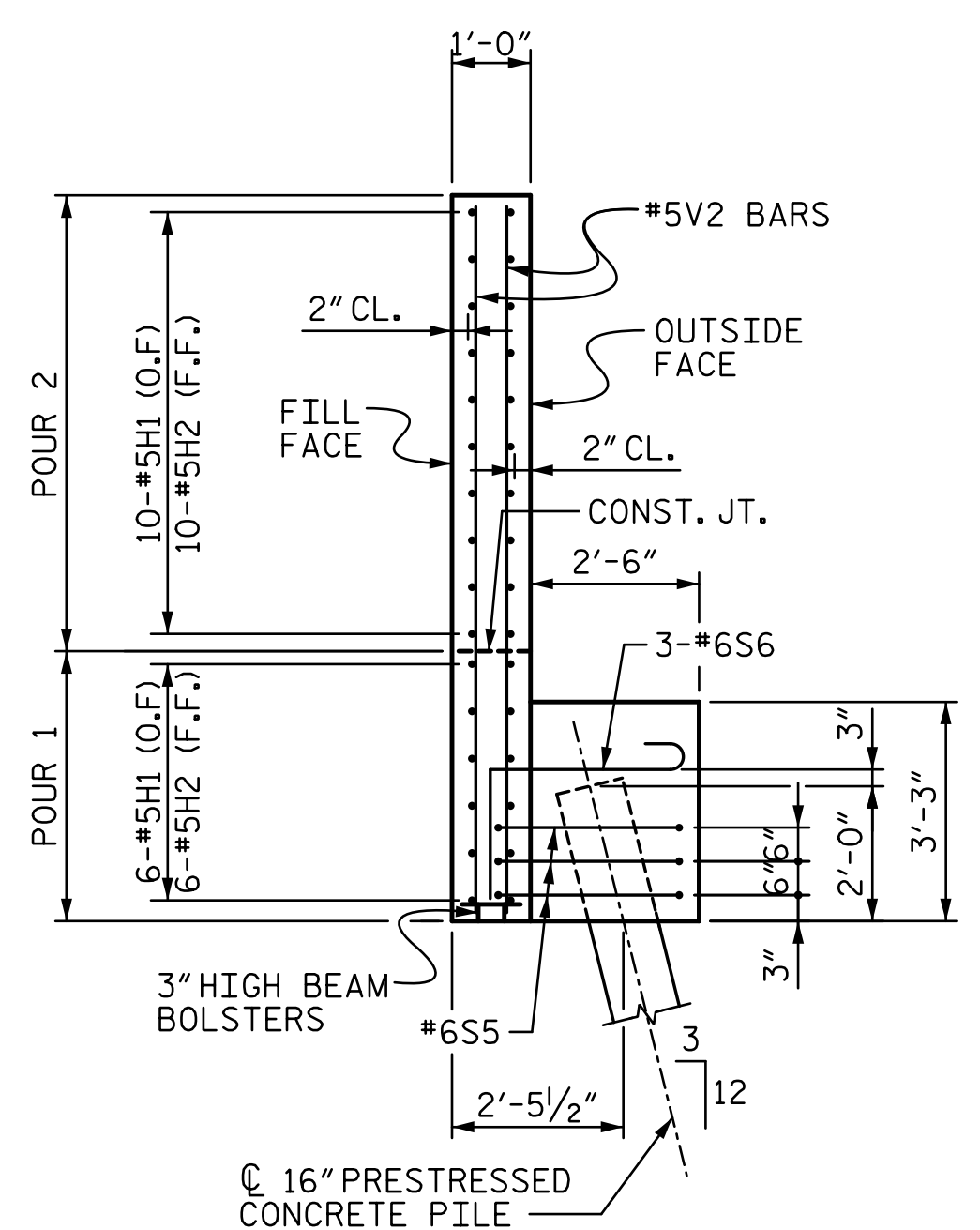
SECTION D-D



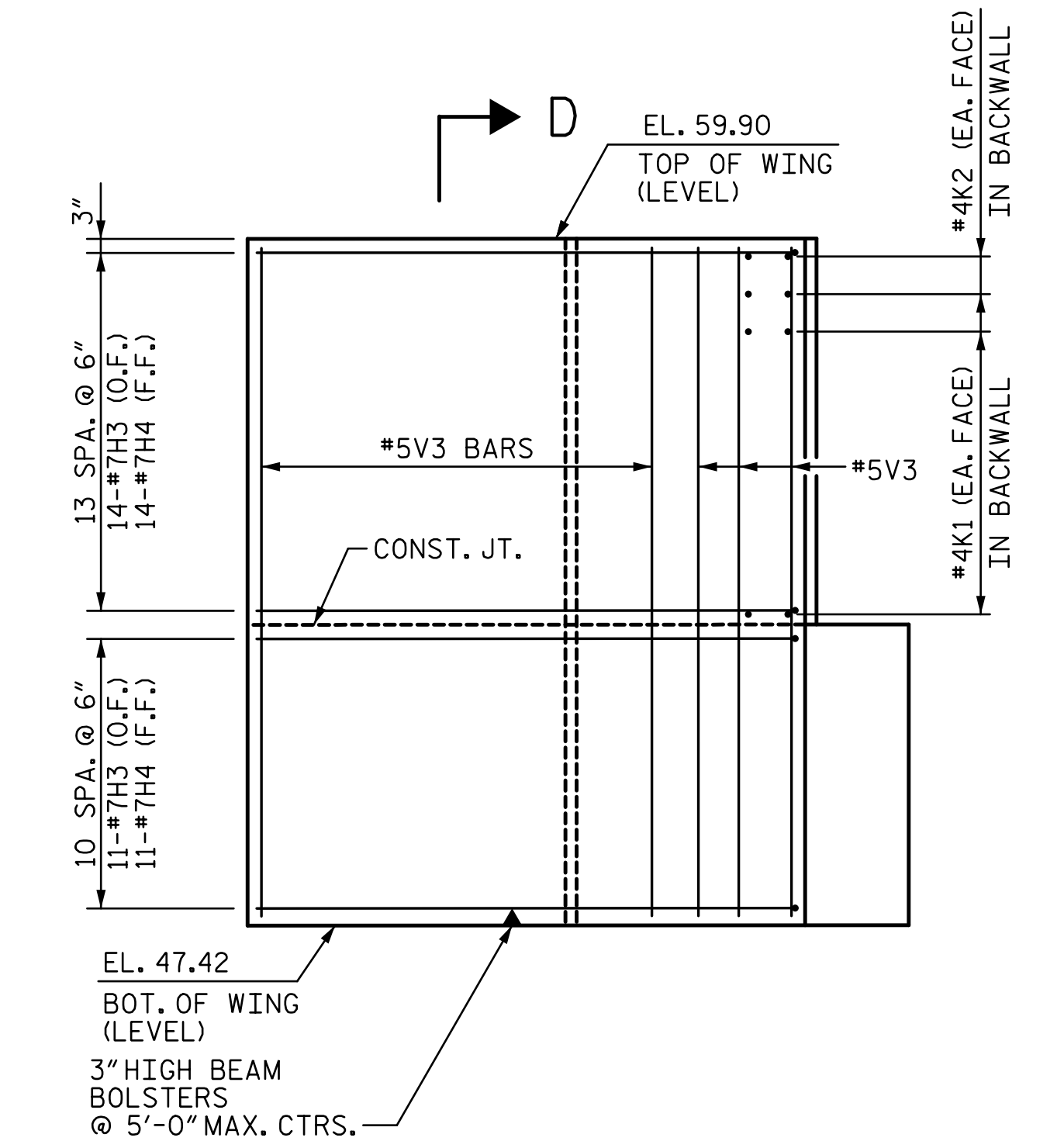
PLAN (W2)



ELEVATION (W1)



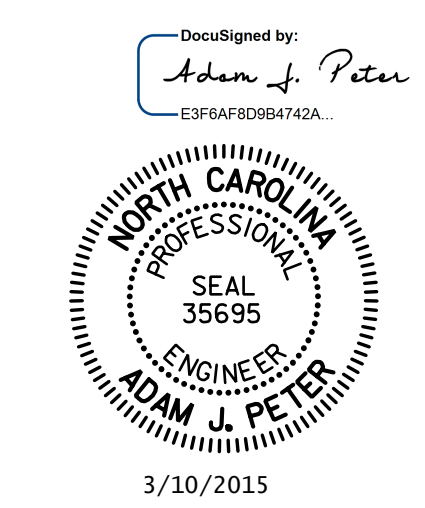
SECTION C-C



ELEVATION (W2)

PROJECT NO. R-2514D  
JONES & CRAVEN COUNTY  
 STATION: 526+71.12 -L-  
 = 16+08.07 -Y6-

SHEET 2 OF 3  
 STATE OF NORTH CAROLINA  
 DEPARTMENT OF TRANSPORTATION  
 RALEIGH  
 SUBSTRUCTURE  
 END BENT 1  
 -LEFT LANE-



3/10/2015

DRAWN BY: VMW DATE: 6/14  
 CHECKED BY: PEK DATE: 6/14  
 DESIGN ENGINEER OF RECORD: P. KELLY DATE: 6-14

STV / Ralph Whitehead Associates, Inc.  
 900 West Trade Street, Suite 715  
 Charlotte, NC 28202  
 NC License Number F-0991

REVISIONS				SHEET NO.	
NO.	BY:	DATE:	NO.	BY:	DATE:
1			3		
2			4		

TOTAL SHEETS: 38

3/6/2015 9:09:32 AM R:\Site 6\usta\Finals\Site 6 LL\41L\_025\_R2514D\_SMU\_EB102.dgn