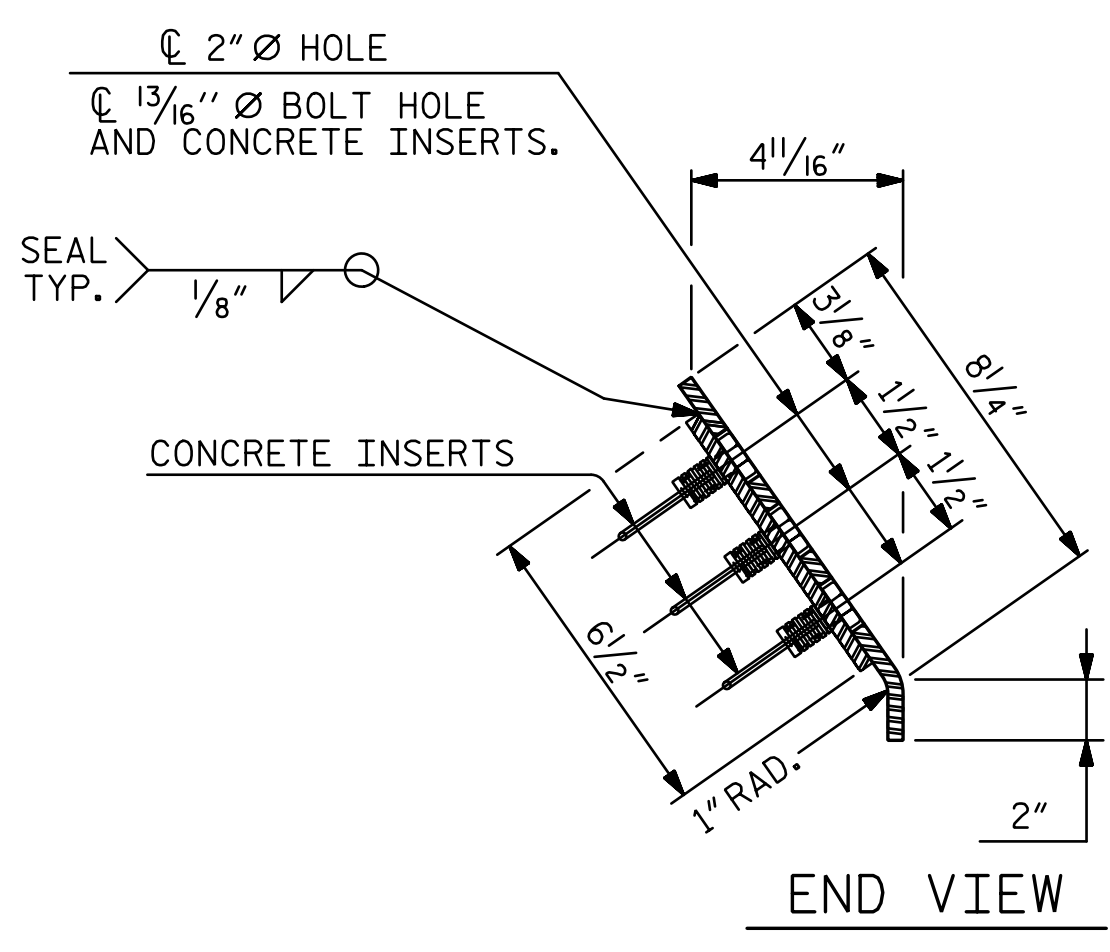
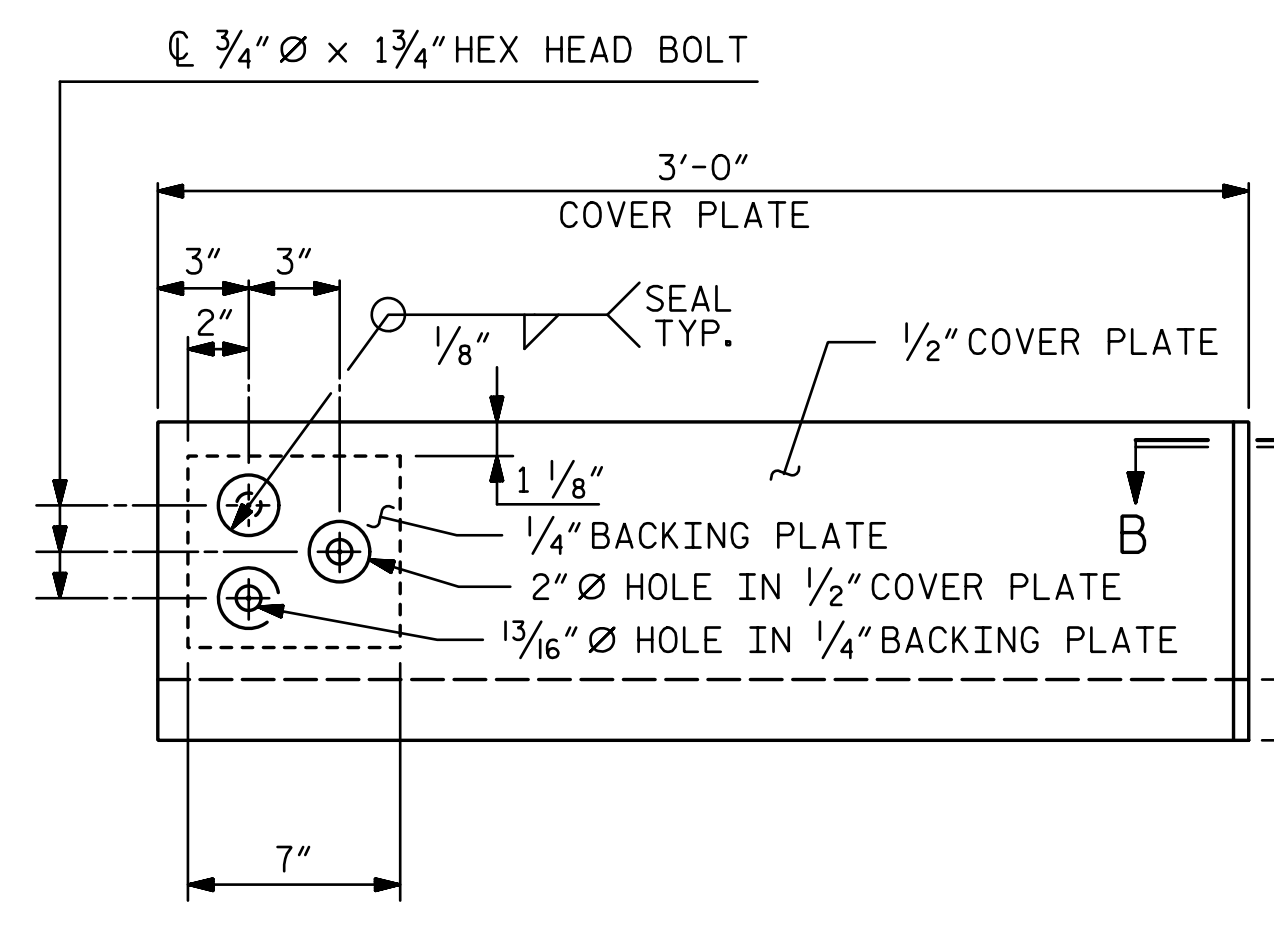


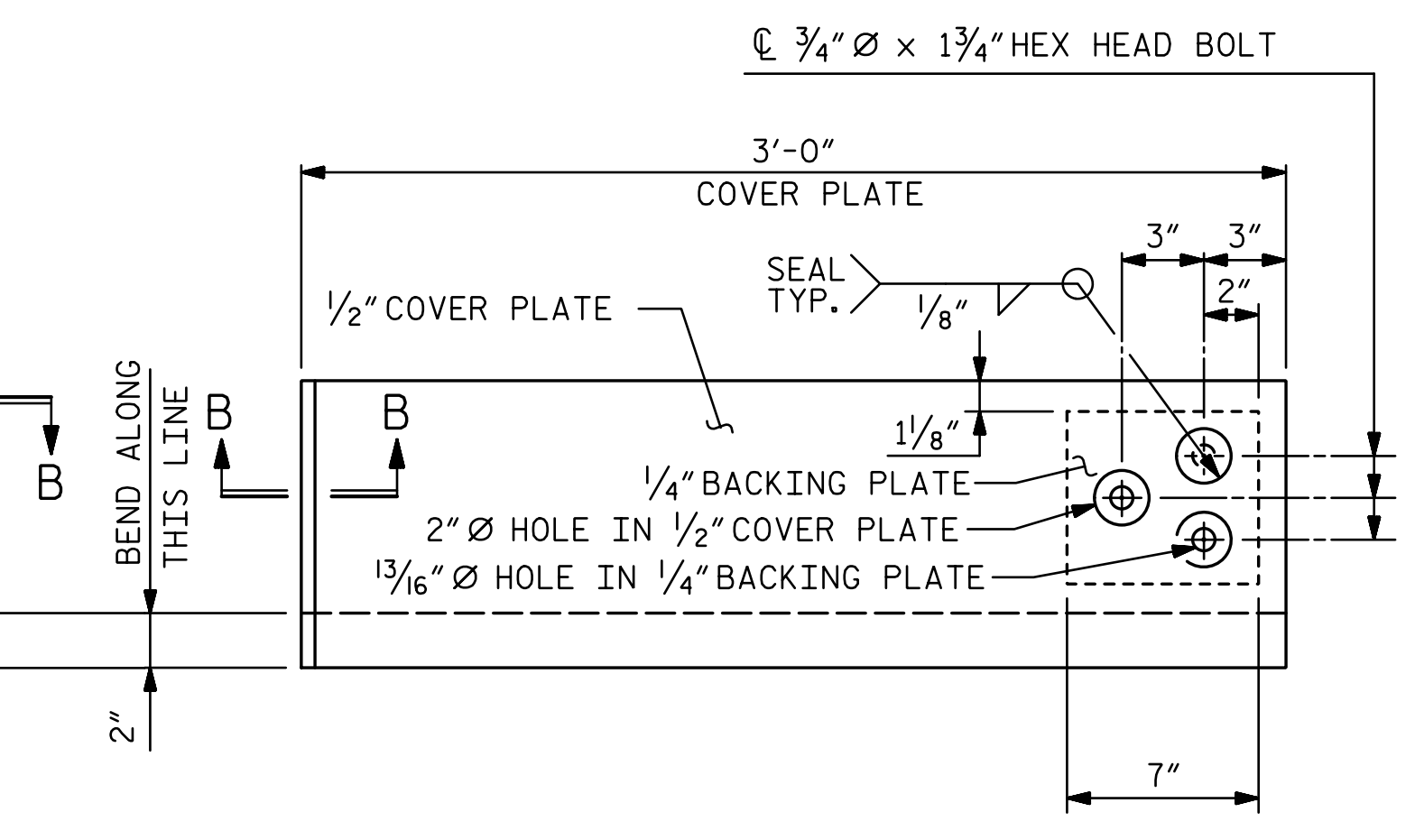
SECTION THRU RAIL NORMAL TO JOINT



END VIEW

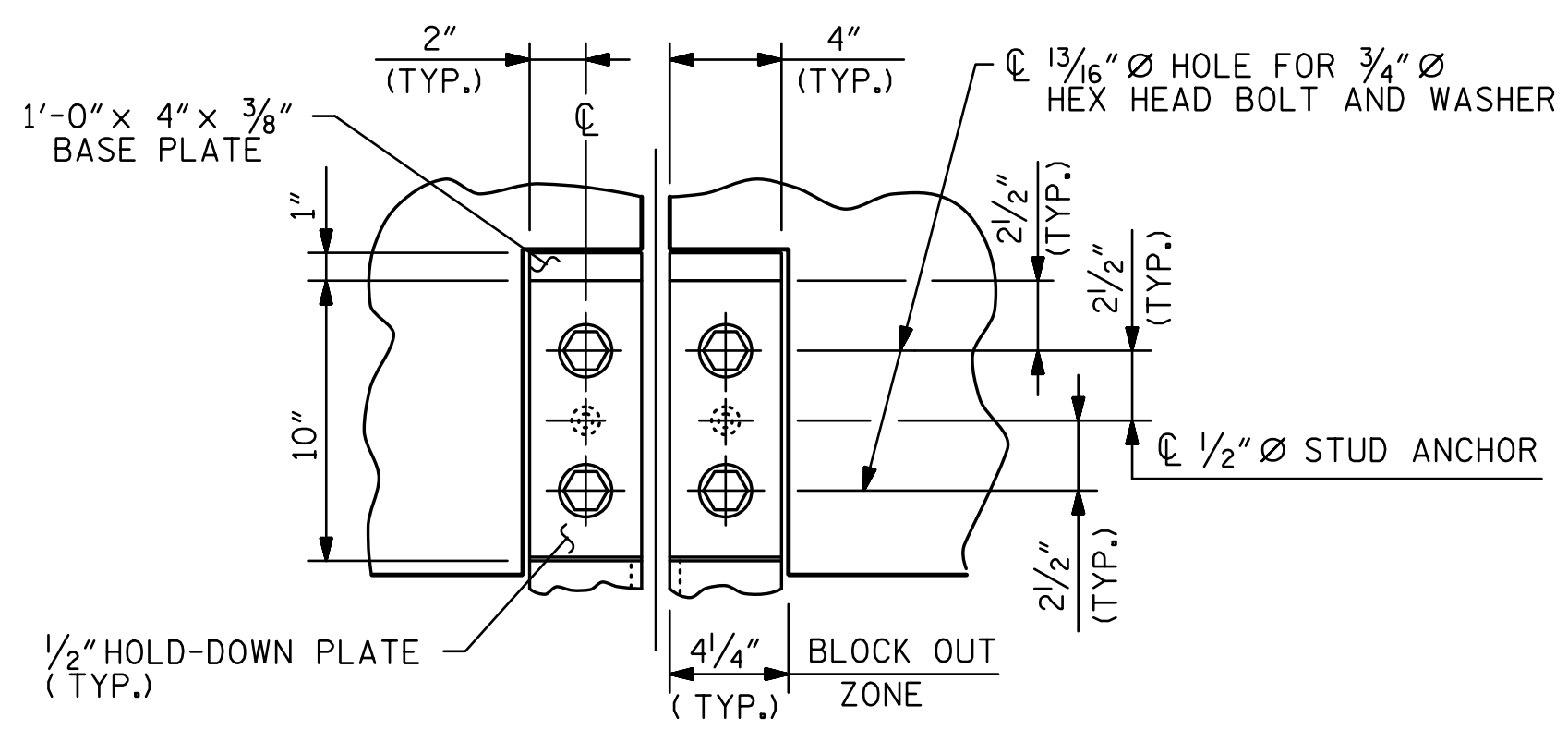


TYPE I - ELEVATION VIEW

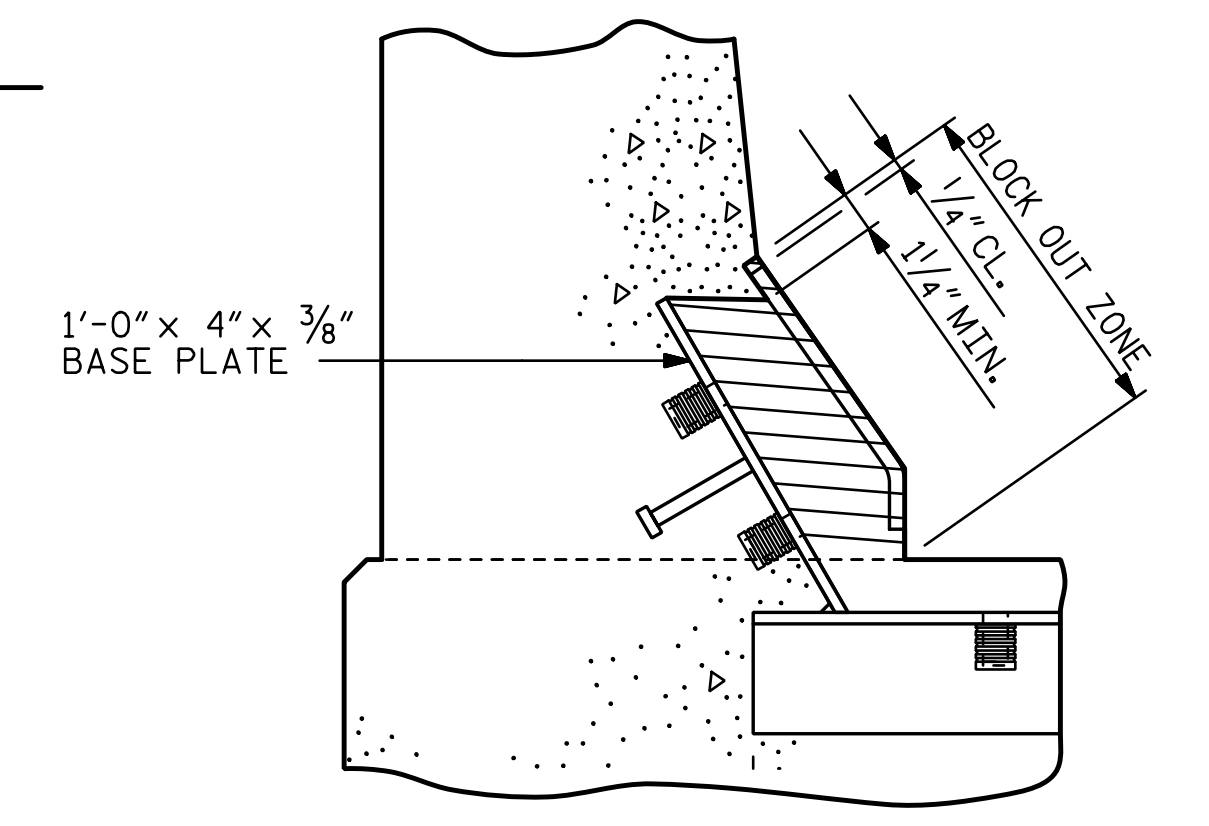


TYPE II - ELEVATION VIEW

COVER PLATE DETAILS

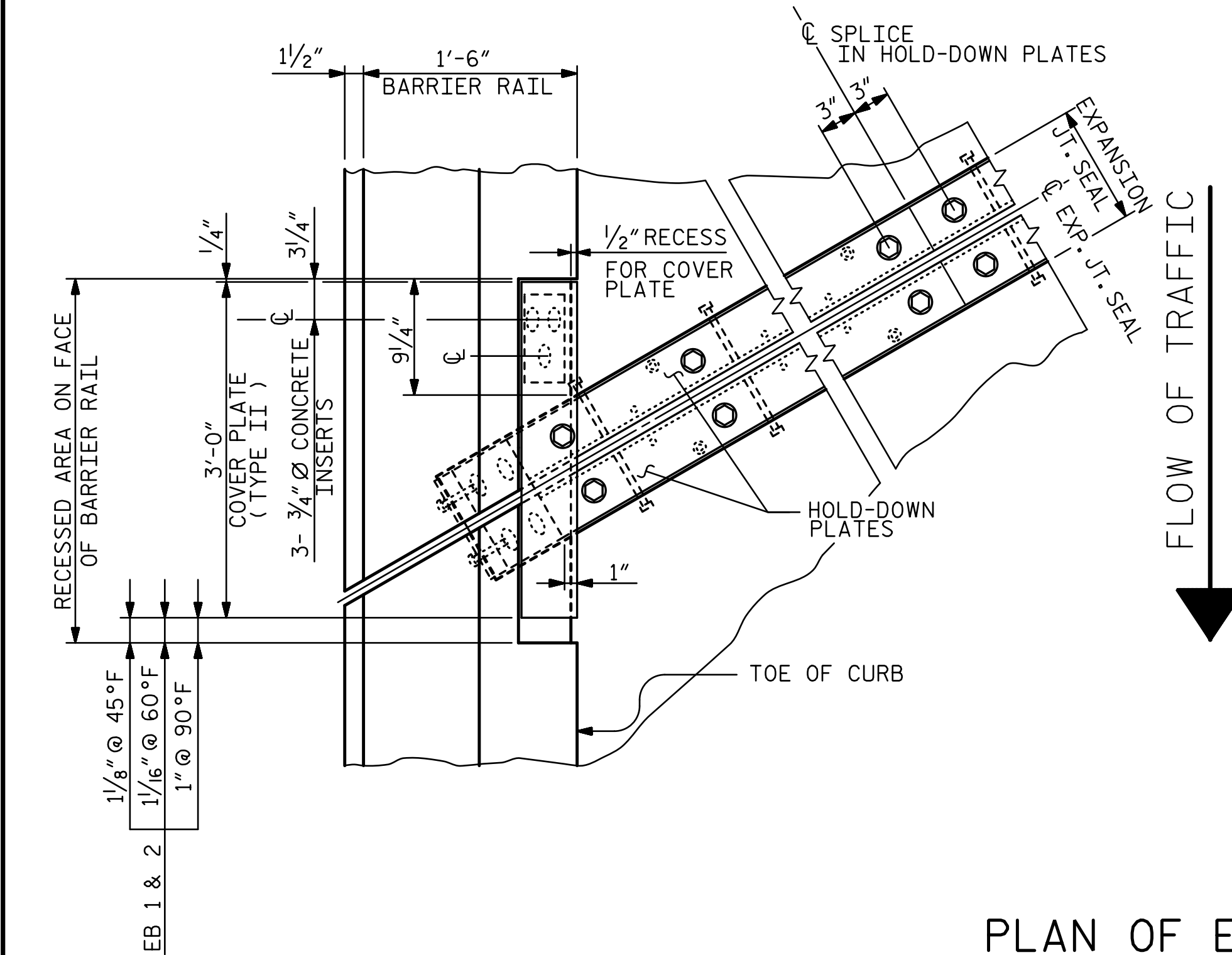


SECTION A - A

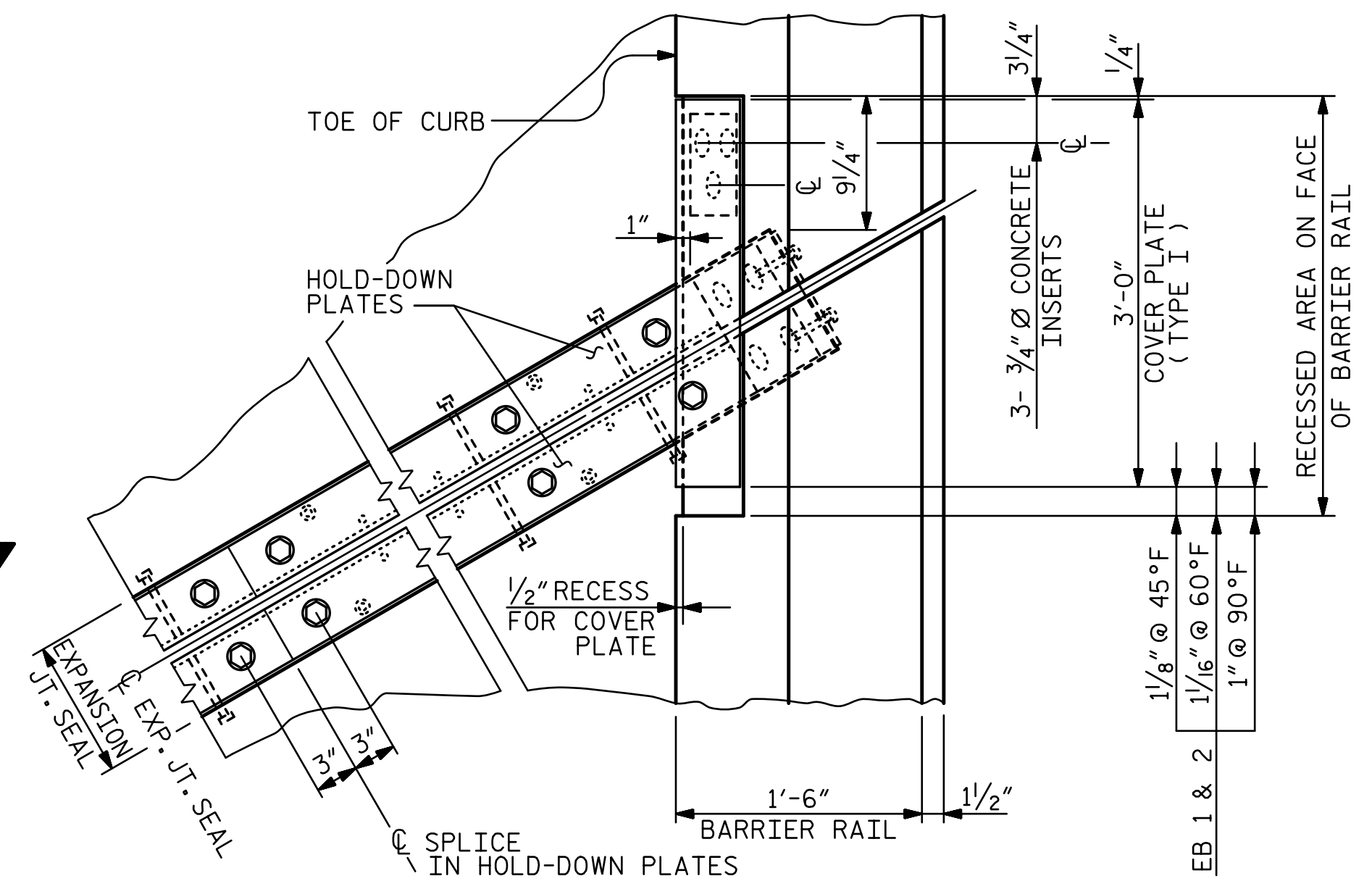


BLOCK OUT DETAIL

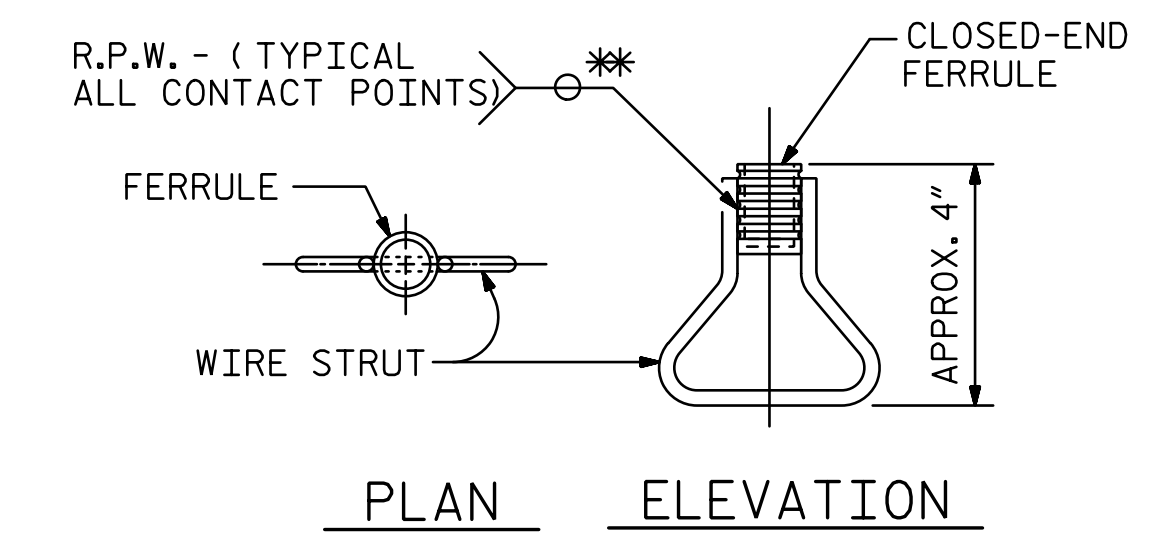
SEE "SECTION A - A" FOR OTHER DETAILS.



PLAN OF EXPANSION JOINT SEAL

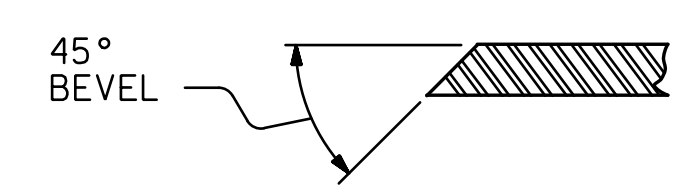


SECTION B - B



CONCRETE INSERT

* EACH WELDED ATTACHMENT OF WIRE TO FERRULE SHALL DEVELOP THE TENSILE STRENGTH OF THE WIRE.



SECTION B - B

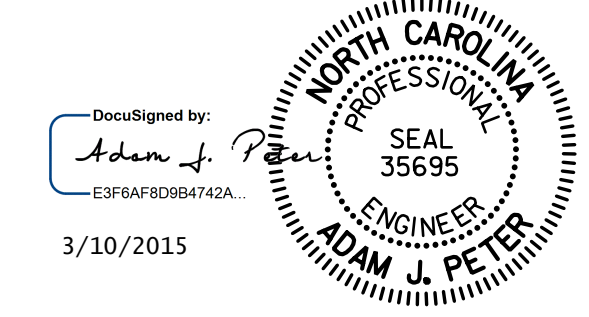
PROJECT NO. **R-2514D**
JONES & CRAVEN COUNTY
 STATION: **526+71.12 -L-**
 = **16+08.07 -Y6-**

SHEET 2 OF 2

STATE OF NORTH CAROLINA
 DEPARTMENT OF TRANSPORTATION
 RALEIGH

**SUPERSTRUCTURE
 EXPANSION JOINT
 SEAL DETAILS FOR
 BARRIER RAIL**

-LEFT LANE-



STV / Ralph Whitehead Associates, Inc.
 900 West Trade Street, Suite 715
 Charlotte, NC 28202
 NC License Number F-0991

REVISIONS				SHEET NO.	
NO.	BY:	DATE:	NO.	BY:	DATE:
1			3		
2			4		

TOTAL SHEETS: 38

3/6/2015 9:09:30 AM R:\Site 6\usta\Finals\Site 6 LL\41L02LR2514D_SMU_EJS02.dgn

DRAWN BY: **CLG** DATE: **6-14**
 CHECKED BY: **AJP** DATE: **6-14**
 DESIGN ENGINEER OF RECORD: **A. PETER** DATE: **6-14**