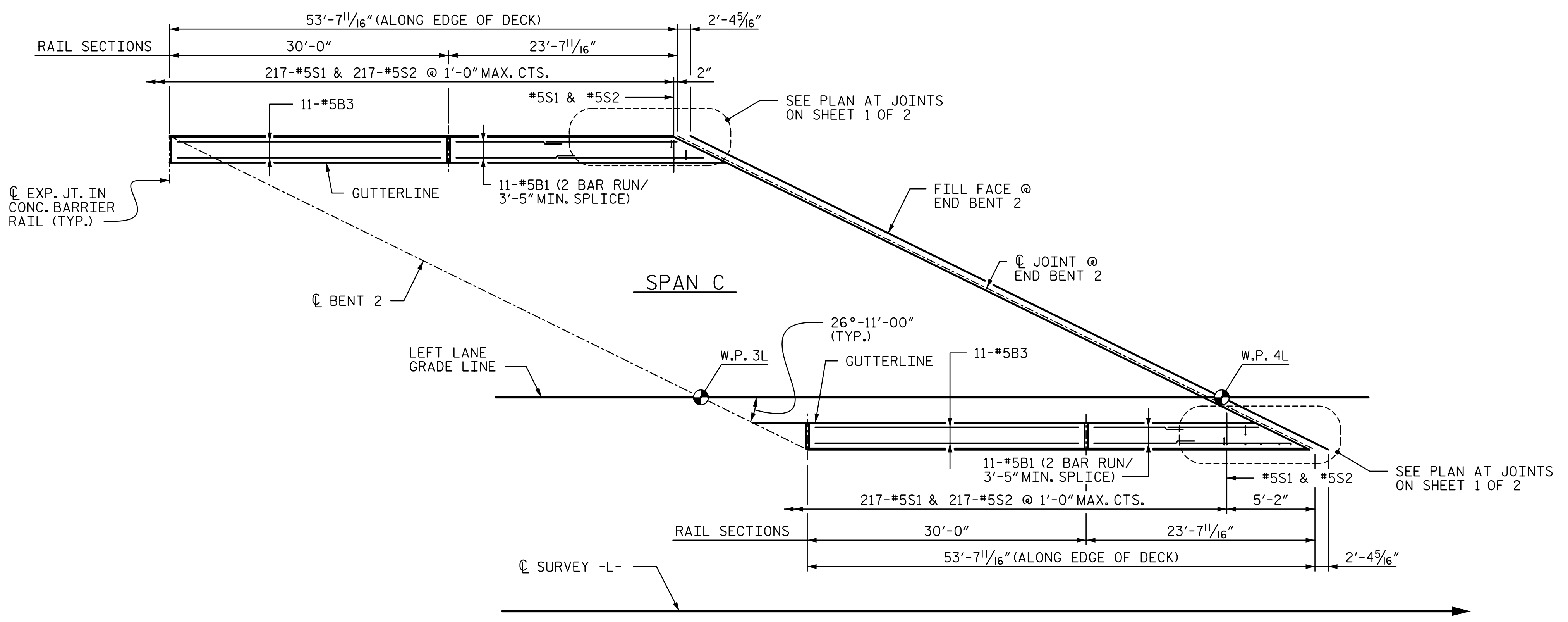
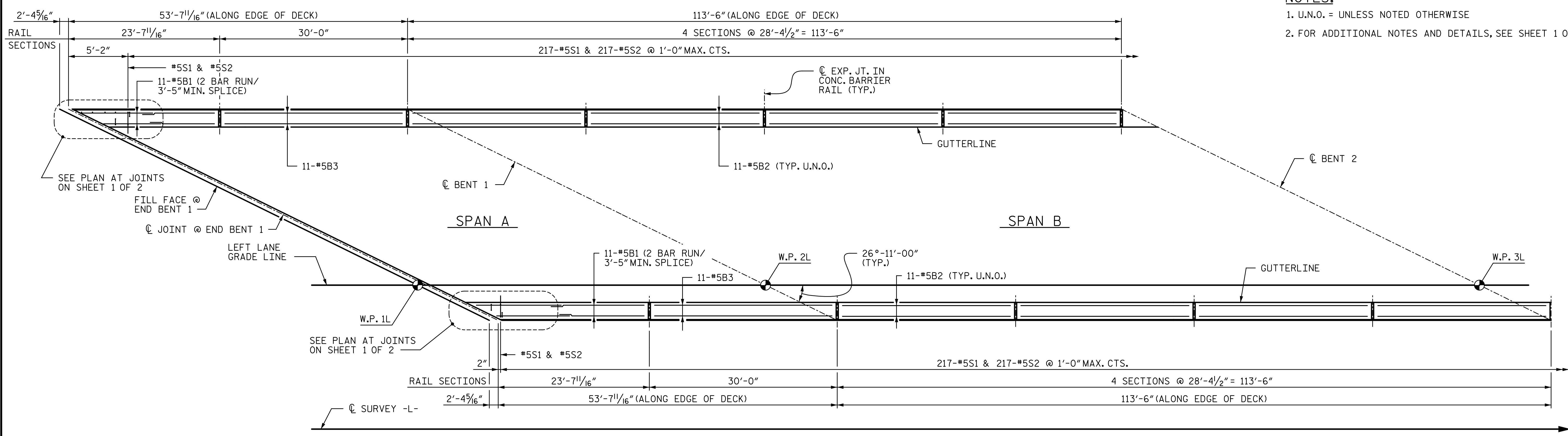
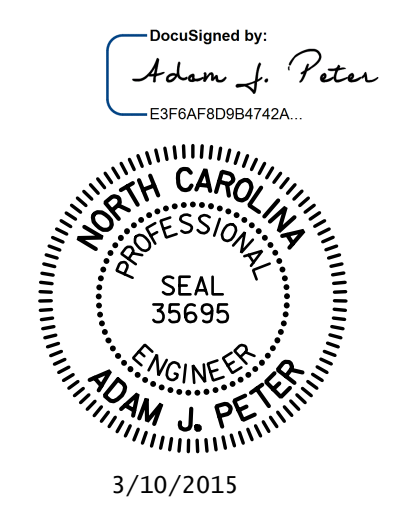


**NOTES:**  
 1. U.N.O. = UNLESS NOTED OTHERWISE  
 2. FOR ADDITIONAL NOTES AND DETAILS, SEE SHEET 1 OF 2.



PROJECT NO. R-2514D  
JONES & CRAVEN COUNTY  
 STATION: 526+71.12 -L-  
= 16+08.07 -Y6-  
 SHEET 2 OF 2

STATE OF NORTH CAROLINA  
 DEPARTMENT OF TRANSPORTATION  
 RALEIGH  
 SUPERSTRUCTURE  
 CONCRETE BARRIER RAIL  
 -LEFT LANE-



DRAWN BY: CLG DATE: 6-14  
 CHECKED BY: TJT DATE: 6-14  
 DESIGN ENGINEER OF RECORD: A. PETER DATE: 6-14

STV / Ralph Whitehead Associates, Inc.  
 900 West Trade Street, Suite 715  
 Charlotte, NC 28202  
 NC License Number F-0991

REVISIONS						SHEET NO.
NO.	BY:	DATE:	NO.	BY:	DATE:	S11-18
1			3			TOTAL SHEETS
2			4			38

R:\Site 6\usta\Finals\Site 6 LL\411.018.R2514D\_SMU\_CBR02.dgn  
 3/6/2015 9:09:29 AM