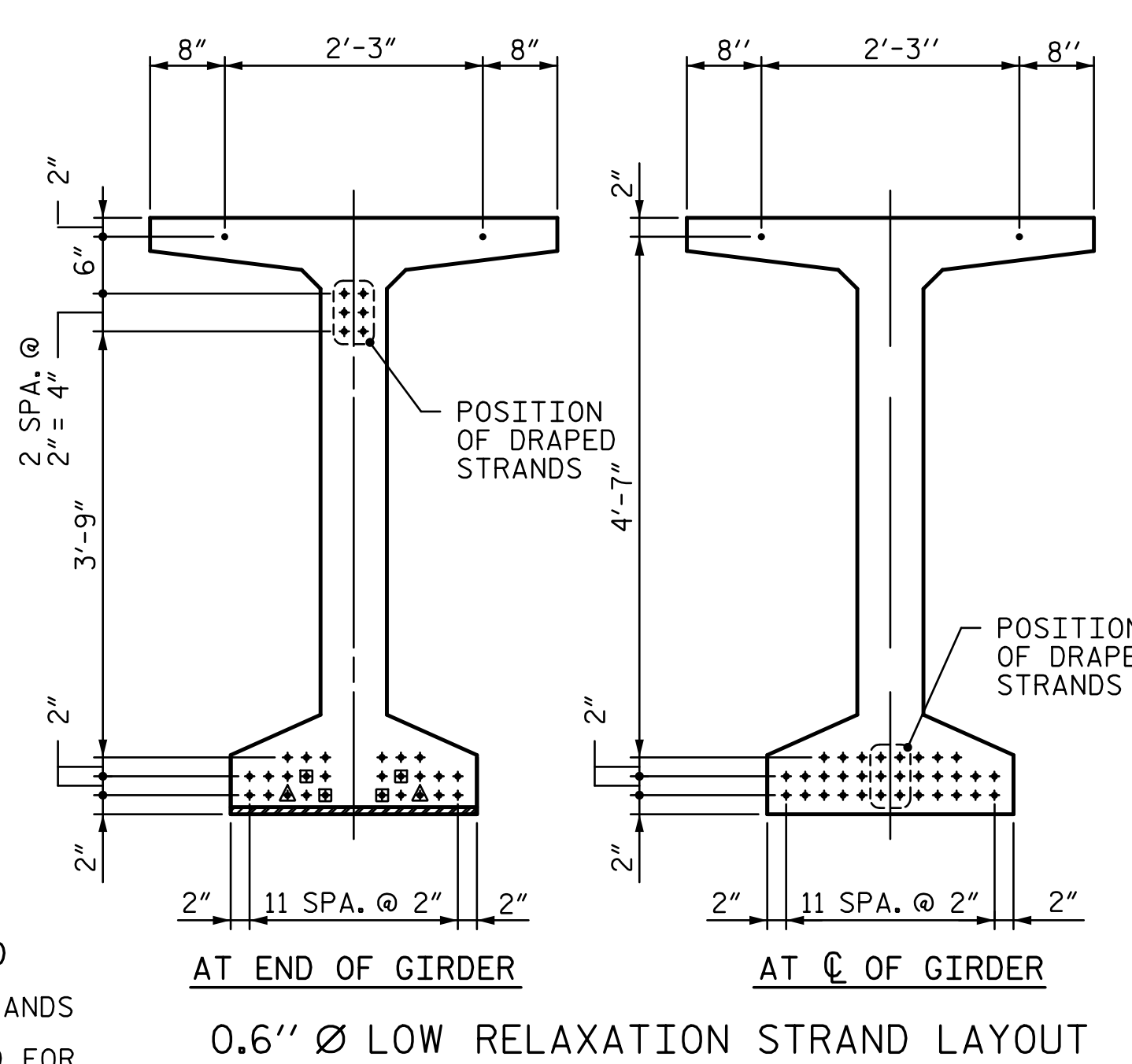
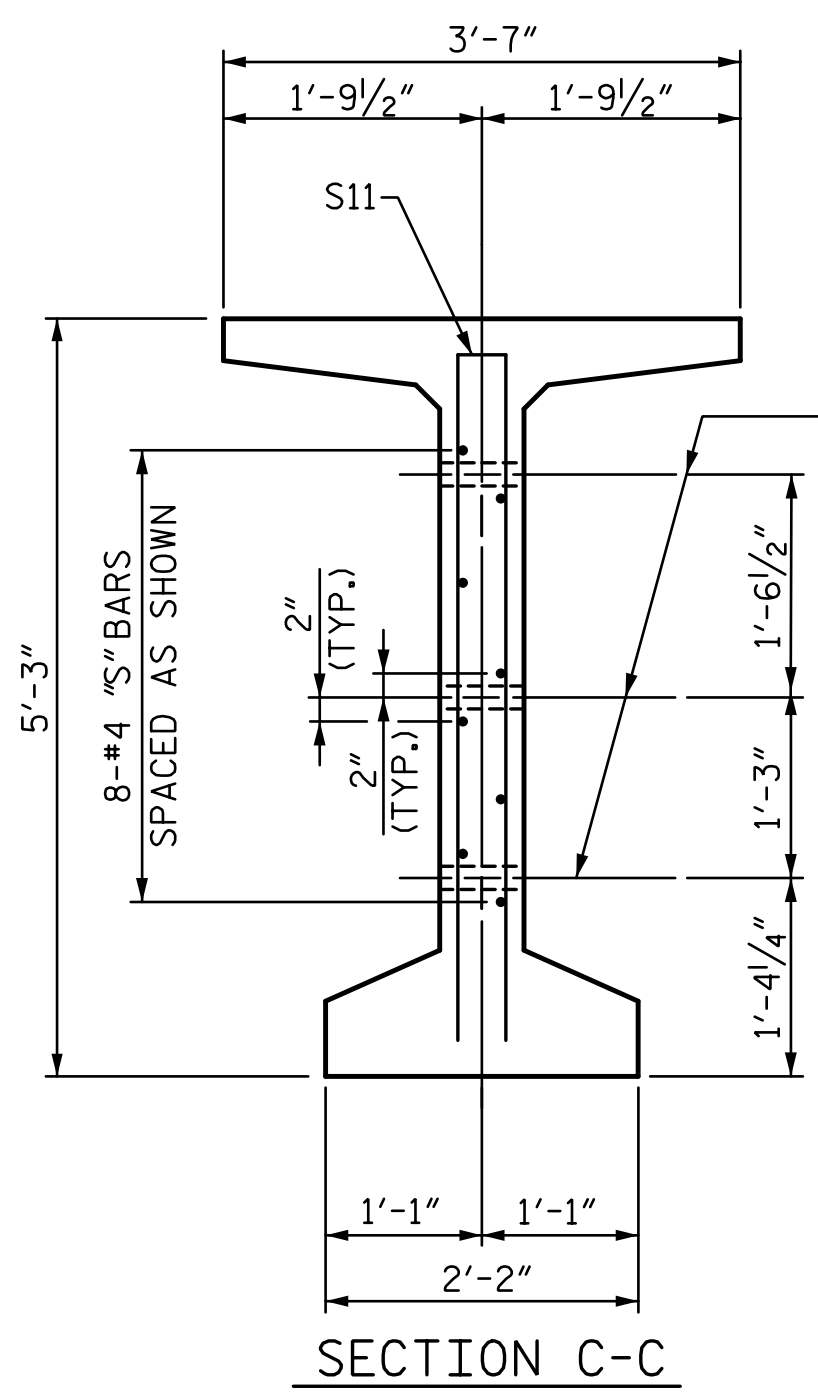
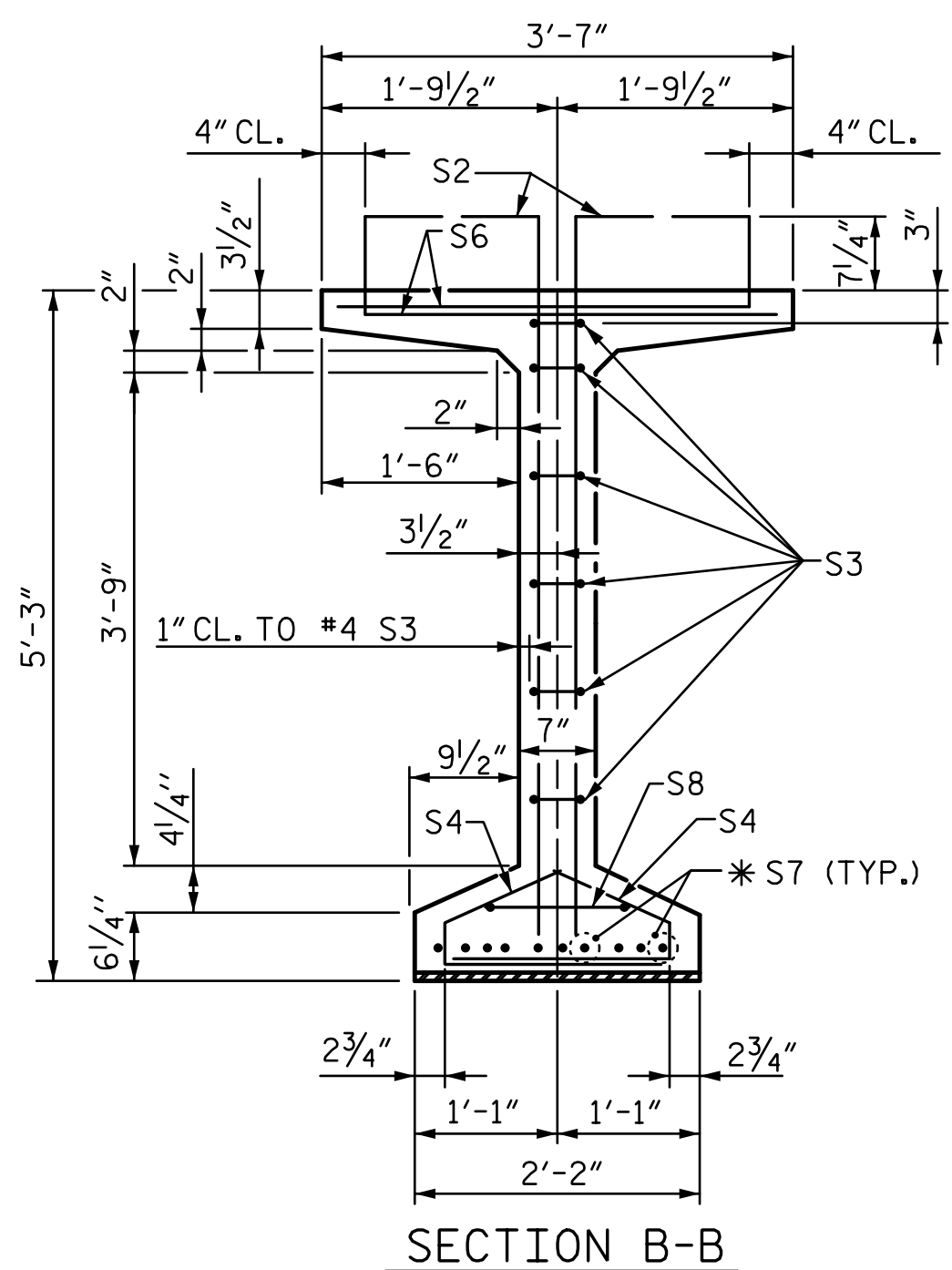


I:\Projects\255550\255550\0002\50_Deliverables & Submittals\255550\Structures\Site 6\LL\411.012.R2514D_SMU_PCC02.dgn

4/10/2015 9:15:01 AM



DEBONDING LEGEND

- FULLY BONDED STRANDS
- STRANDS DEBONDED FOR 4'-0" FROM END OF GIRDER
- ▲ STRANDS DEBONDED FOR 6'-0" FROM END OF GIRDER

*FOR S7 BARS, SEE SECTION D-D ON SHEET 3 OF 3.

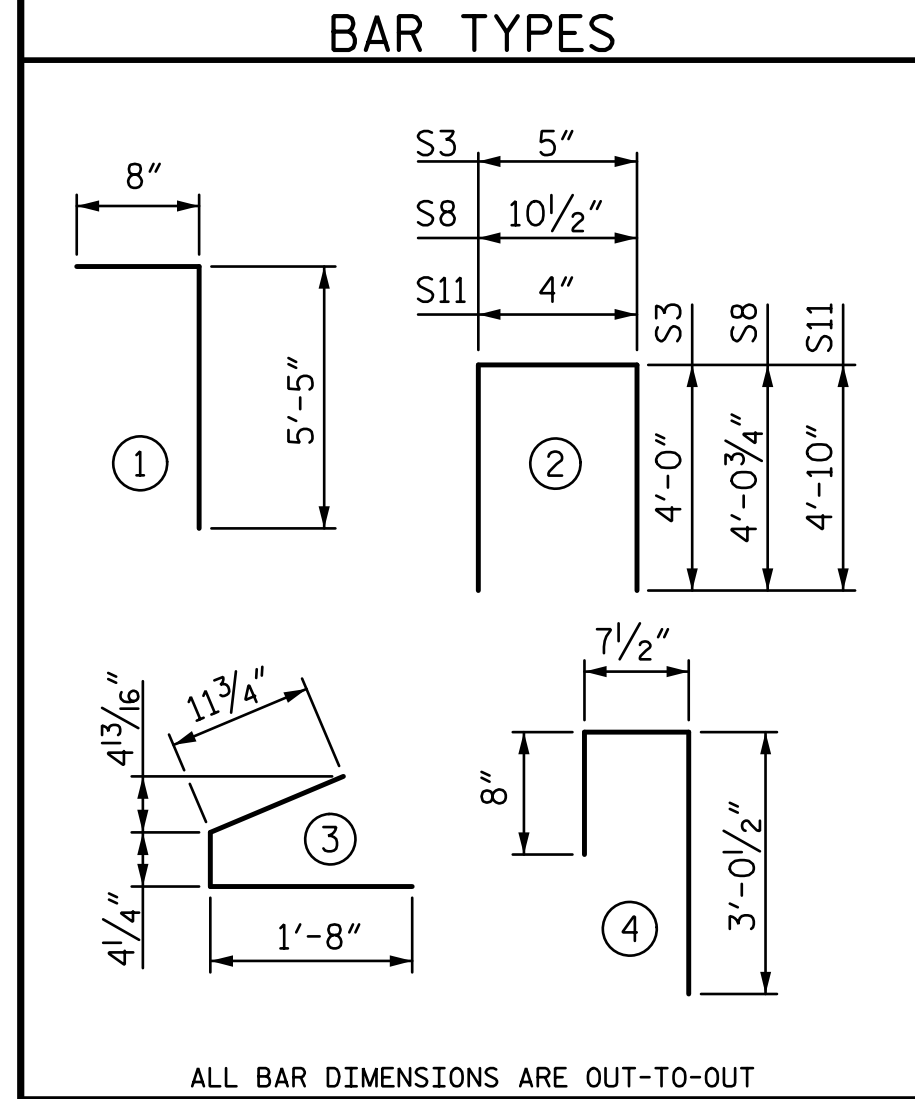
NOTES:

- FOR DIAPHRAGM HOLE LOCATIONS, SEE "FRAMING PLAN" SHEET.
- FOR GIRDER DETAILS, SEE SHEET 3 OF 3.
- FOR NOTES, SEE SHEET 3 OF 3.
- THE UPLIFT FORCE DUE TO DRAPED STRANDS IS 23 KIPS.

0.6" Ø L. R. GRADE 270 STRANDS		
AREA (SQ. INCHES)	ULTIMATE STRENGTH (LBS. PER STRAND)	APPLIED PRESTRESS (LBS. PER STRAND)
0.217	58,600	43,950

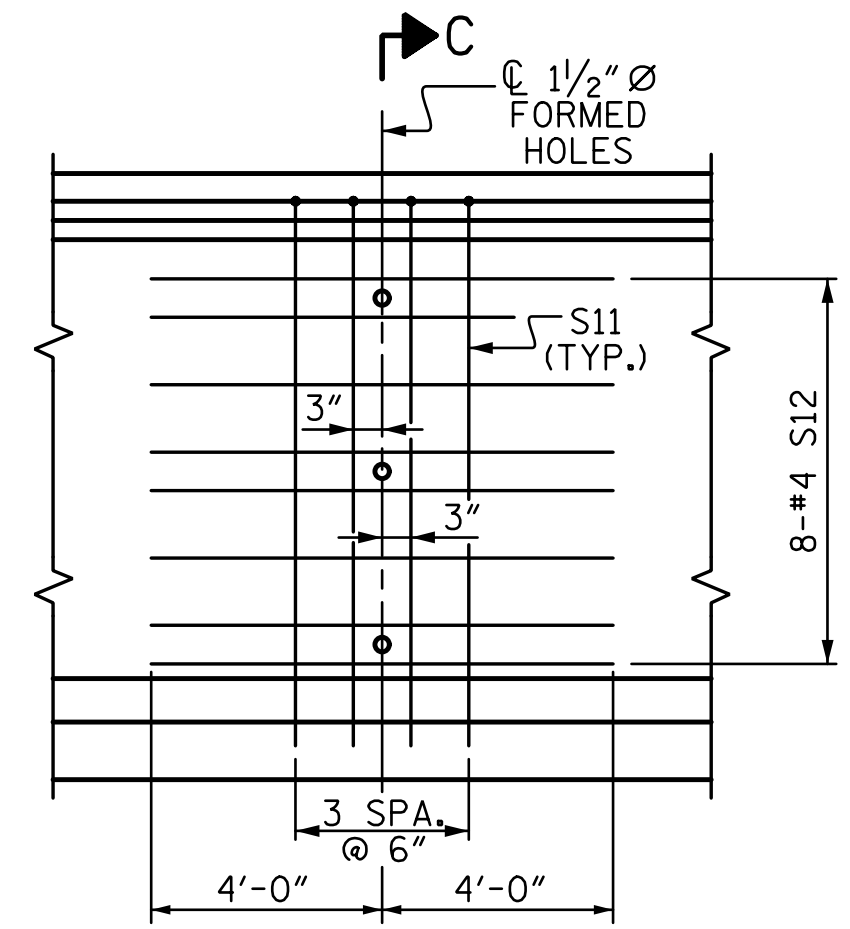
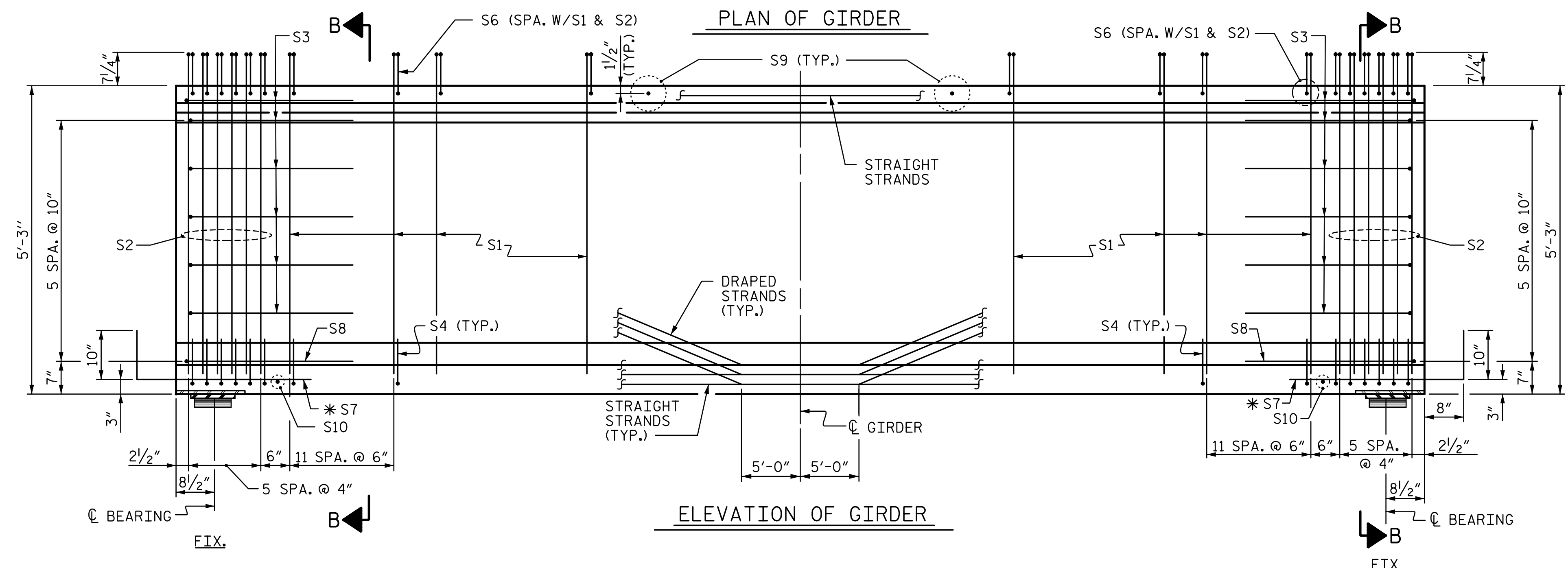
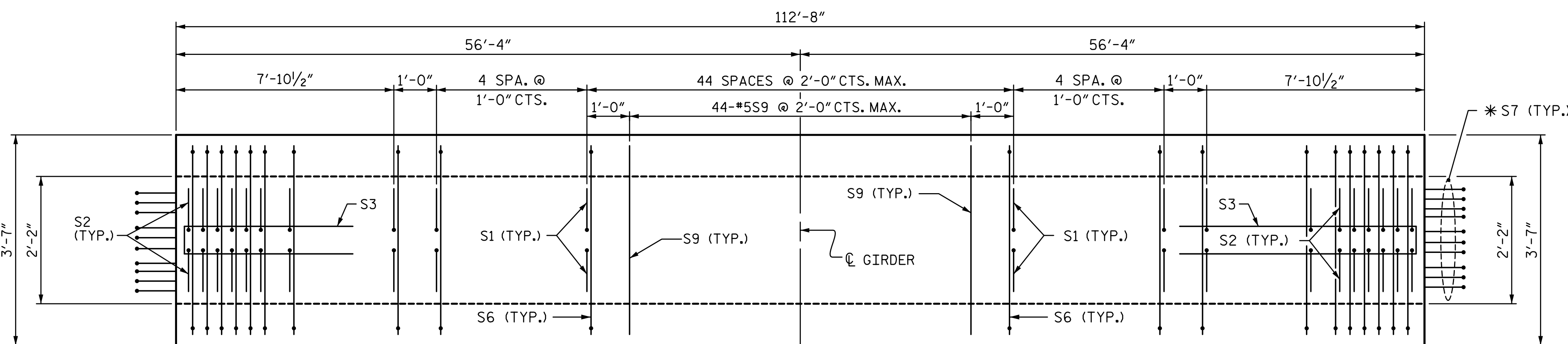
REINFORCING STEEL FOR ONE GDR						
BAR	NUMBER	SIZE	TYPE	LENGTH	WEIGHT	
S1	154	#5	1	6'-1"	977	
S2	24	#6	1	6'-1"	219	
S3	12	#4	2	8'-5"	67	
S4	72	#4	3	3'-0"	144	
S6	178	#5	4	4'-4"	805	
*S7	20	#5	STR	3'-8"	76	
S8	2	#5	2	9'-0"	19	
S9	44	#5	STR	3'-3"	149	
S10	2	#3	STR	1'-10"	1	
EXTERIOR GDR.	S11	8	#5	2	10'-0"	83
INTERIOR GDR.	S11	16	#5	2	10'-0"	167
EXTERIOR GDR.	S12	16	#4	STR	8'-0"	86
INTERIOR GDR.	S12	32	#4	STR	8'-0"	171

* NOTE: S7 BARS SHALL BE BENT BEFORE SHIPMENT. HEAT BENDING SHALL NOT BE ALLOWED.

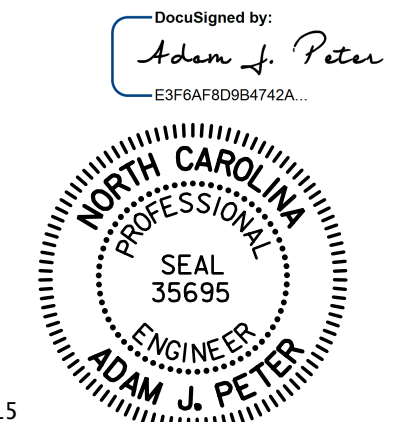


QUANTITIES FOR ONE GIRDER			
	REINFORCING STEEL	8,000 PSI CONCRETE	0.6" Ø L.R. STRANDS
	LB.	C.Y.	No.
EXTERIOR GIRDER	2,626	22.3	34
INTERIOR GIRDER	2,795	22.3	34

GIRDERS REQUIRED		
NUMBER	LENGTH	TOTAL LENGTH
5	112'-8"	563'-4"



PROJECT NO. R-2514D
 JONES & CRAVEN COUNTY
 STATION: 526+71.12 -L-
 = 16+08.07 -Y6-
 SHEET 2 OF 3



4/10/2015

DRAWN BY: CLG DATE: 6-14
 CHECKED BY: PEK DATE: 6-14
 DESIGN ENGINEER OF RECORD: T. TOWNSEND DATE: 6-14

STV / Ralph Whitehead Associates, Inc.
 900 West Trade Street, Suite 715
 Charlotte, NC 28202
 NC License Number F-0991

REVISIONS					
NO.	BY:	DATE:	NO.	BY:	DATE:
1			3		
2			4		

SHEET NO.	
S11-12	TOTAL SHEETS 38