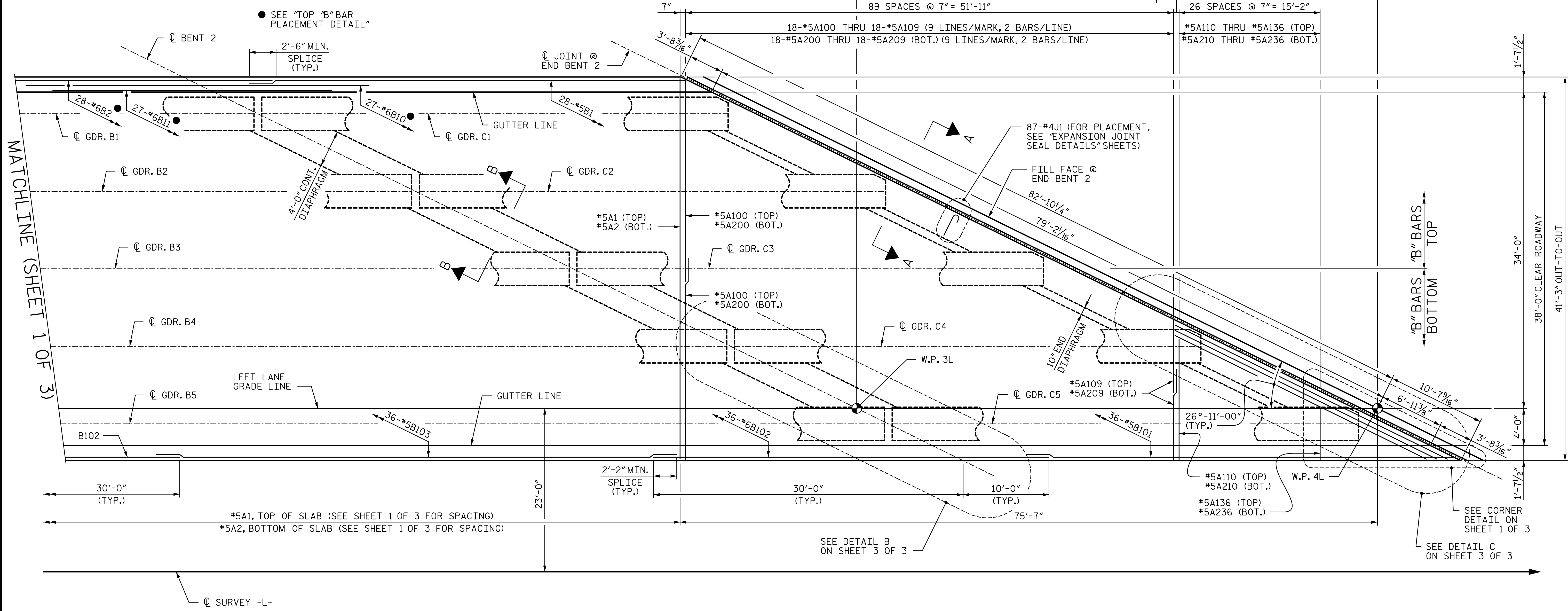


TOTAL BRIDGE LENGTH = 225'-6" (FILL FACE END BENT 1 TO FILL FACE END BENT 2)

113'-6" SPAN B

56'-0" SPAN C



MATCHLINE (SHEET 1 OF 3)

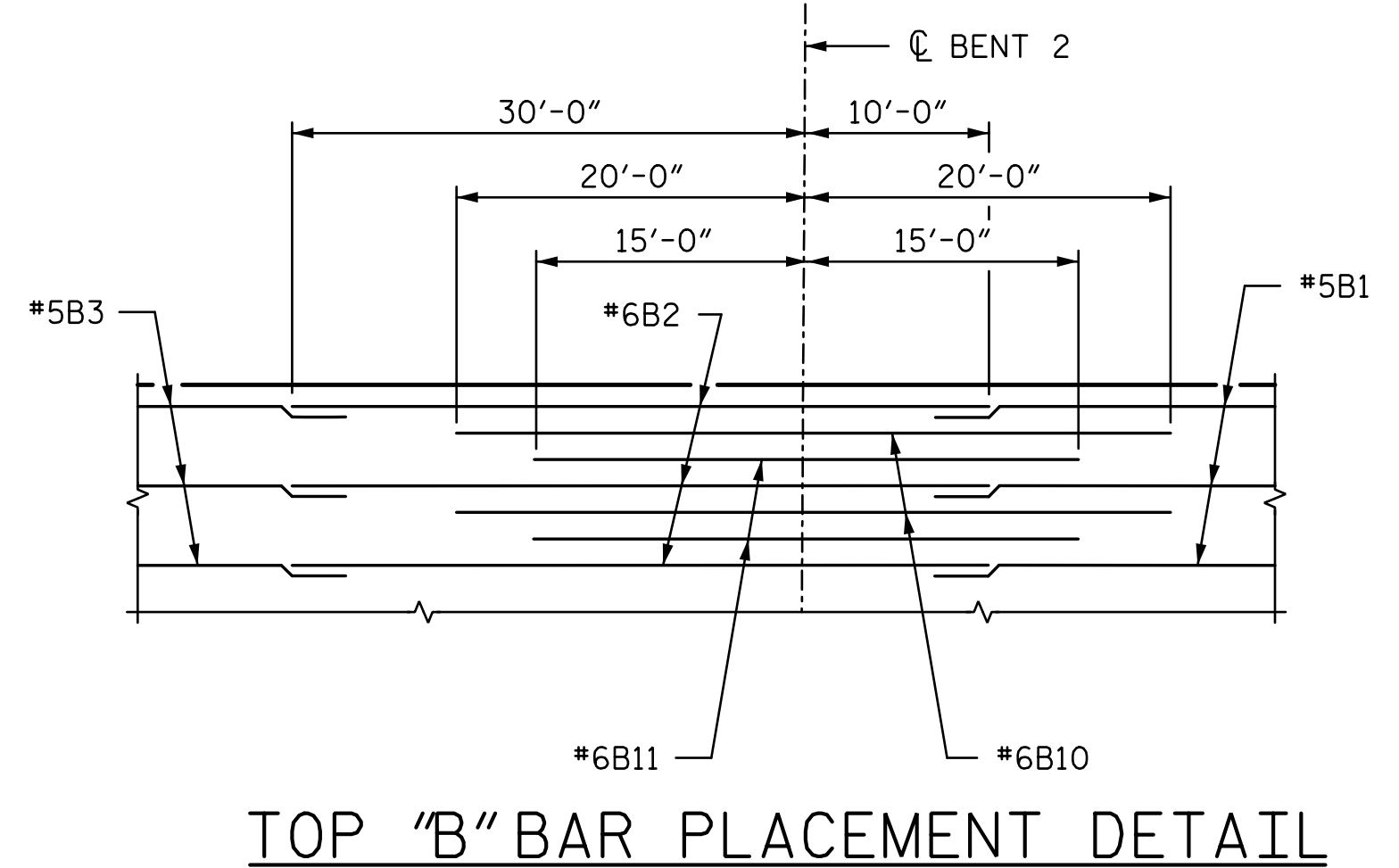
"B" BARS TOP
"B" BARS BOTTOM

34'-0"
38'-0" CLEAR ROADWAY
41'-3" OUT-TO-OUT

NOTES:

1. FOR NOTES, SEE SHEET 1 OF 3.

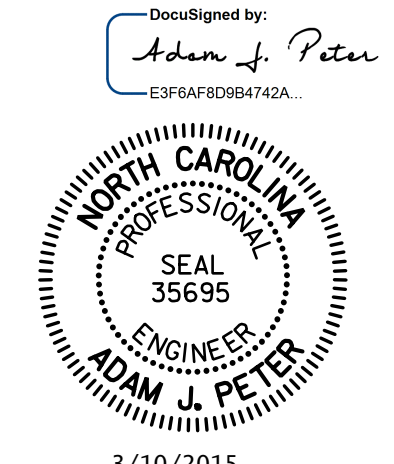
PLAN



TOP "B" BAR PLACEMENT DETAIL

PROJECT NO. R-2514D
JONES & CRAVEN COUNTY
 STATION: 526+71.12 -L-
= 16+08.07 -Y6-

SHEET 2 OF 3
 STATE OF NORTH CAROLINA
 DEPARTMENT OF TRANSPORTATION
 RALEIGH
 SUPERSTRUCTURE
 PLAN OF SPANS
 SPANS A - C
 -LEFT LANE-



REVISIONS						SHEET NO.
NO.	BY:	DATE:	NO.	BY:	DATE:	S11-8
1			3			TOTAL SHEETS
2			4			38

DRAWN BY: CLG DATE: 5-14
 CHECKED BY: AJP DATE: 5-14
 DESIGN ENGINEER OF RECORD: A. PETER DATE: 6-14

STV / Ralph Whitehead Associates, Inc.
 900 West Trade Street, Suite 715
 Charlotte, NC 28202
 NC License Number F-0991

3/6/2015 9:09:25 AM R:\Site 6\usta\Finals\Site 6 LL\411.008_R2514D_SMU_POS02.dgn