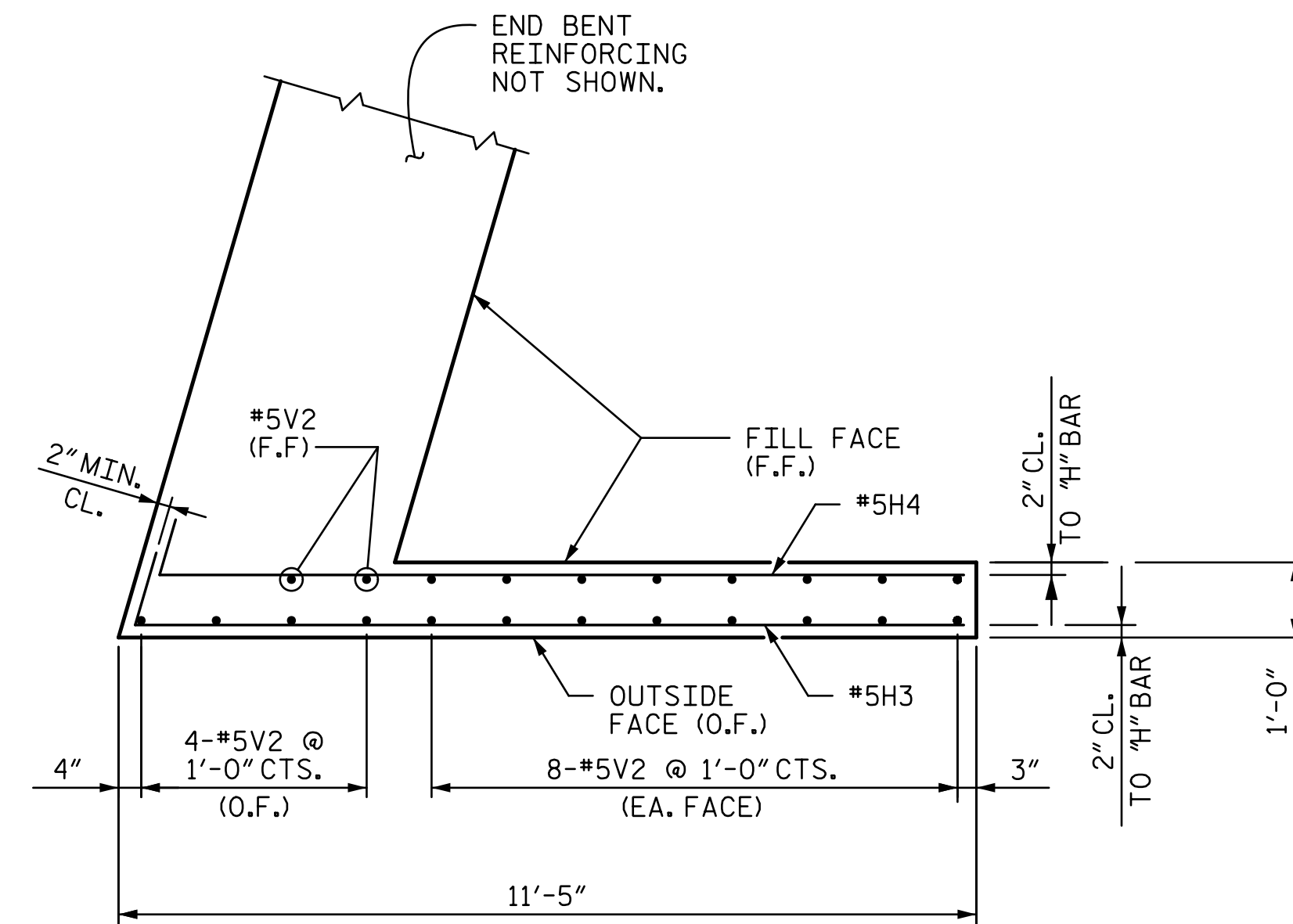
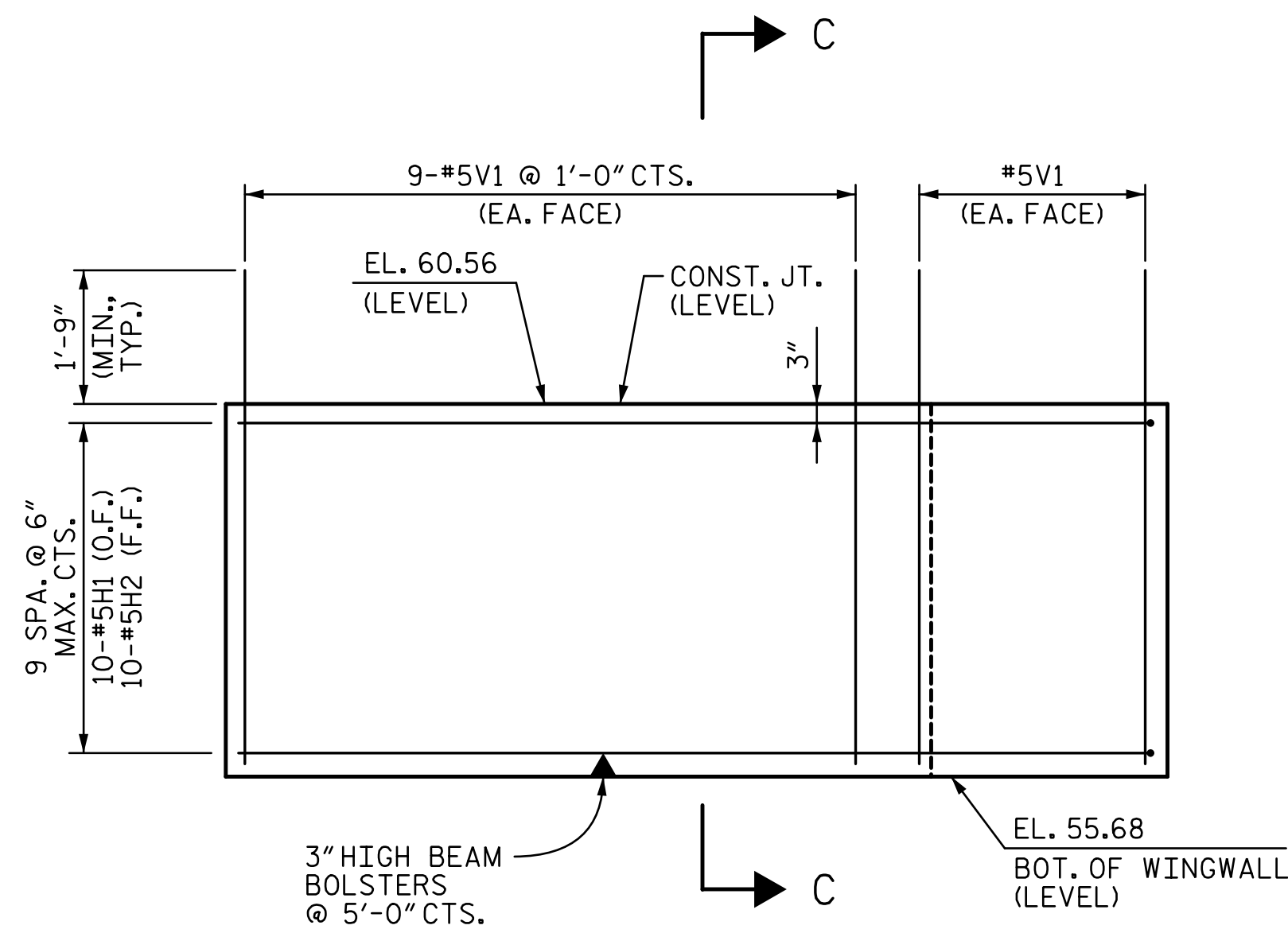


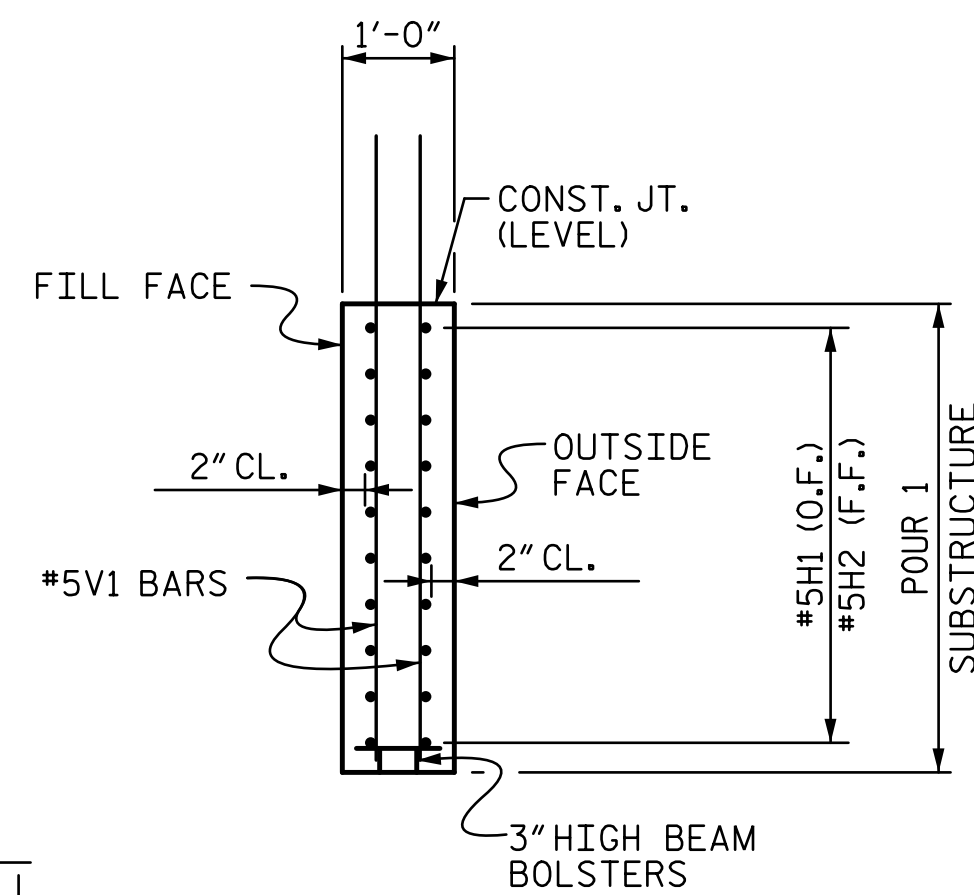
WING WALL PLAN (W3)



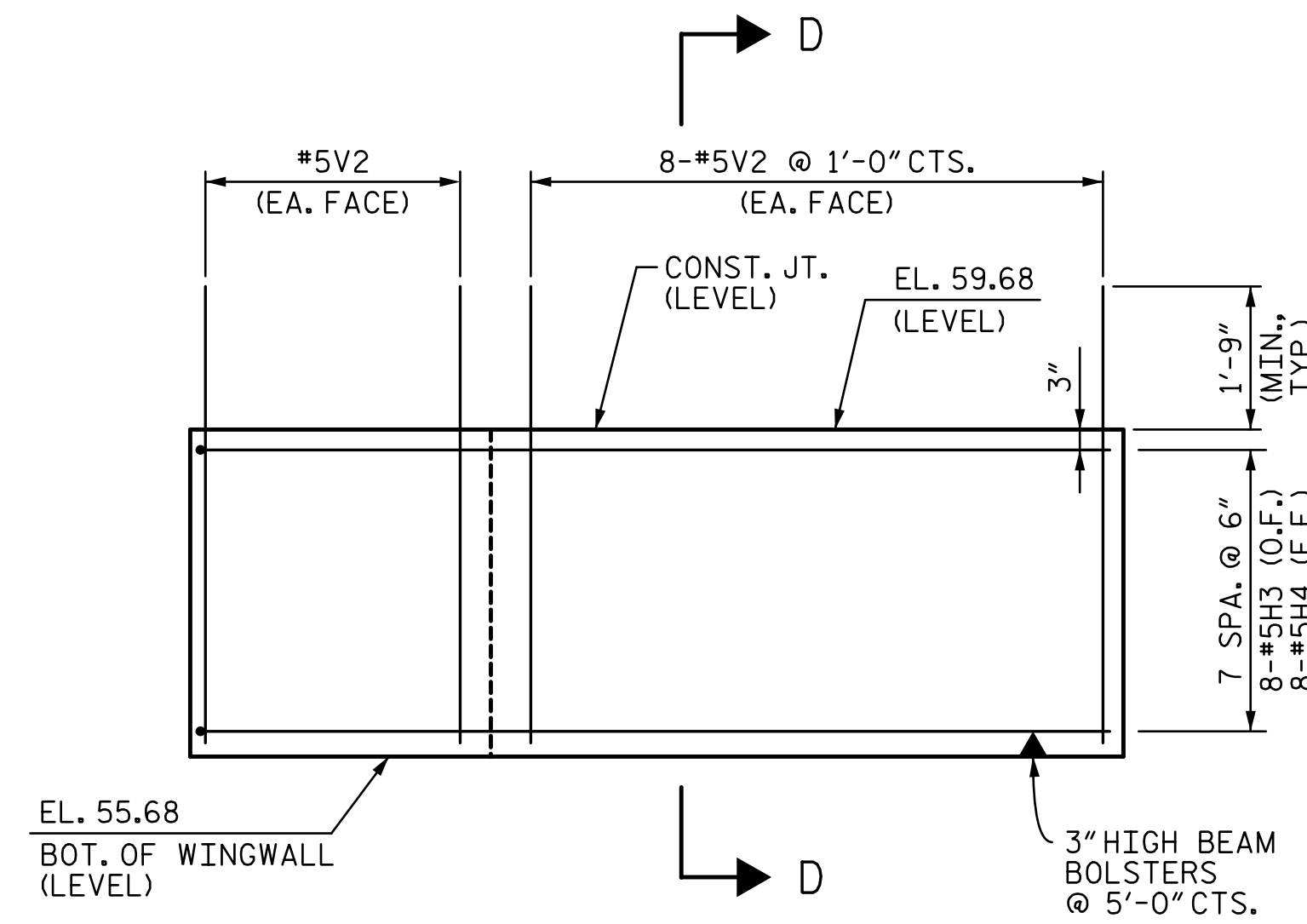
WING WALL PLAN (W4)



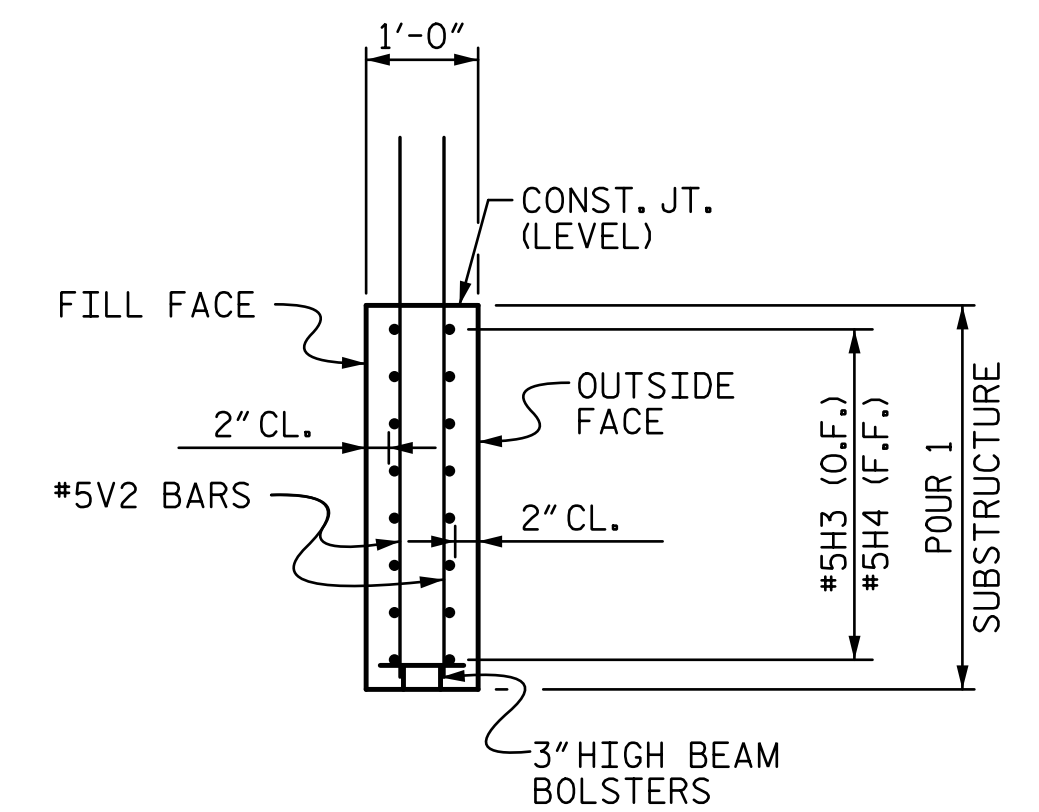
WING WALL ELEVATION (W3)



SECTION C-C

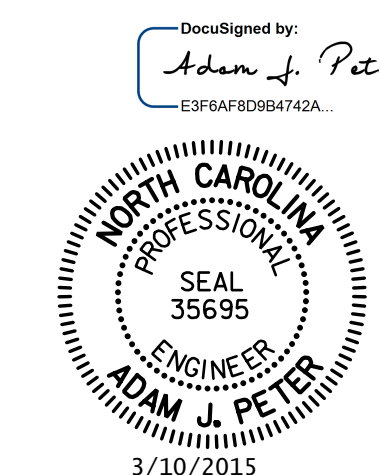


WING WALL ELEVATION (W4)



SECTION D-D

PROJECT NO. R-2514D  
JONES & CRAVEN COUNTY  
 STATION: 428+53.58 -L-  
 = 13+04.09 -Y5-  
 SHEET 2 OF 3



STATE OF NORTH CAROLINA  
 DEPARTMENT OF TRANSPORTATION  
 RALEIGH  
 SUBSTRUCTURE  
**END BENT 2  
 (INTEGRAL)**  
**-RIGHT LANE-**

DRAWN BY: VMW DATE: 6-14  
 CHECKED BY: MLO DATE: 6-14  
 DESIGN ENGINEER OF RECORD: T. TOWNSEND DATE: 6-14

STV / Ralph Whitehead Associates, Inc.  
 900 West Trade Street, Suite 715  
 Charlotte, NC 28202  
 NC License Number F-0991

REVISIONS						SHEET NO.
NO.	BY:	DATE:	NO.	BY:	DATE:	S10-21
1			3			TOTAL SHEETS
2			4			24