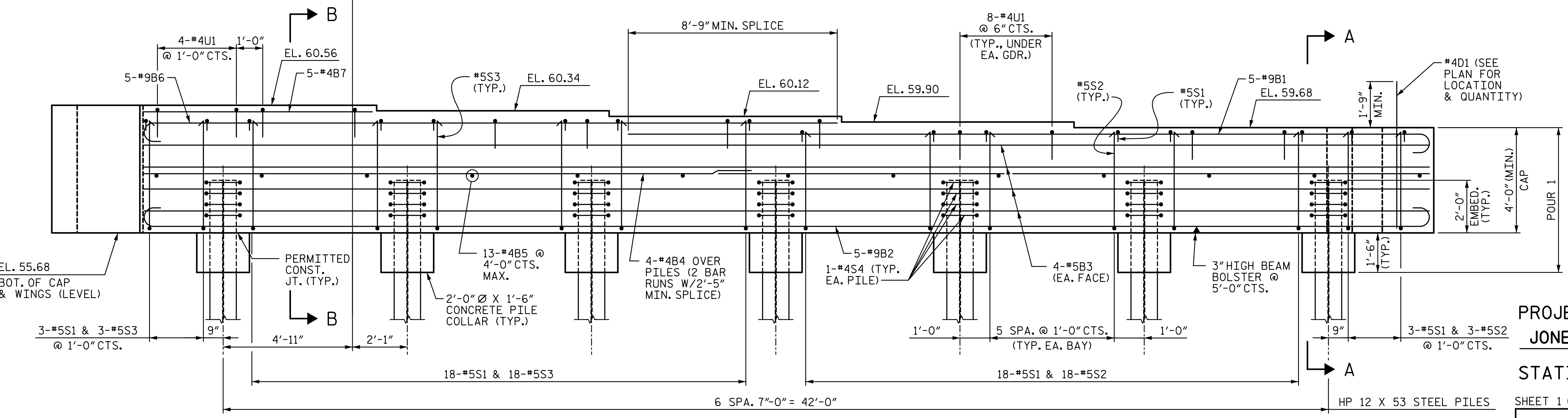
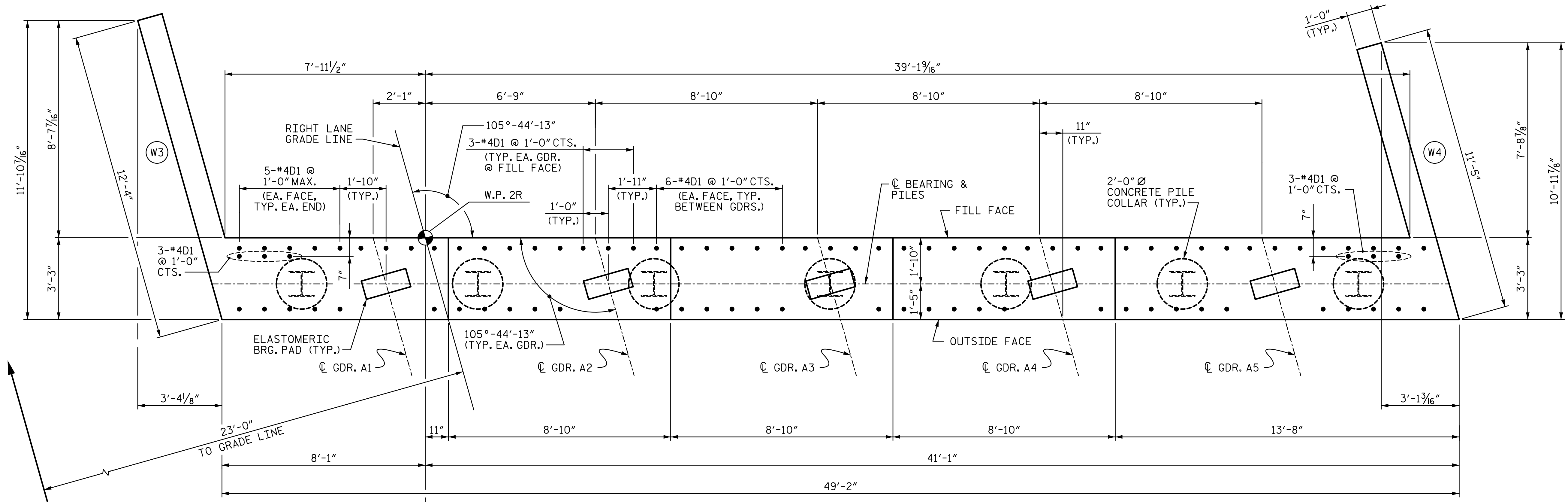
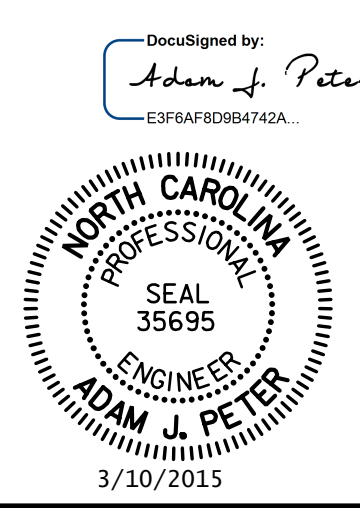


**NOTES:**  
 SEE SHEET 3 OF 3 FOR NOTES.  
 SEE SHEET 3 OF 3 FOR SECTIONS A-A AND B-B.



PROJECT NO. **R-2514D**  
**JONES & CRAVEN** COUNTY  
 STATION: **428+53.58 -L-**  
 = **13+04.09 -Y5-**  
 SHEET 1 OF 3



STATE OF NORTH CAROLINA  
 DEPARTMENT OF TRANSPORTATION  
 RALEIGH  
 SUBSTRUCTURE  
**END BENT 2 (INTEGRAL)**  
**-RIGHT LANE-**

REVISIONS		SHEET NO.	
NO.	DATE	NO.	DATE
1		3	
2		4	

TOTAL SHEETS: 24

STV / Ralph Whitehead Associates, Inc.  
 900 West Trade Street, Suite 715  
 Charlotte, NC 28202  
 NC License Number F-0991

R:\Site 5\ustrafinals\Site 5 RL\410\_020\_R2514D\_SMU\_EB201.dgn  
 3/5/2015 5:21:13 PM

DRAWN BY: **VMW** DATE: **6-14**  
 CHECKED BY: **MLO** DATE: **6-14**  
 DESIGN ENGINEER OF RECORD: **T. TOWNSEND** DATE: **6-14**