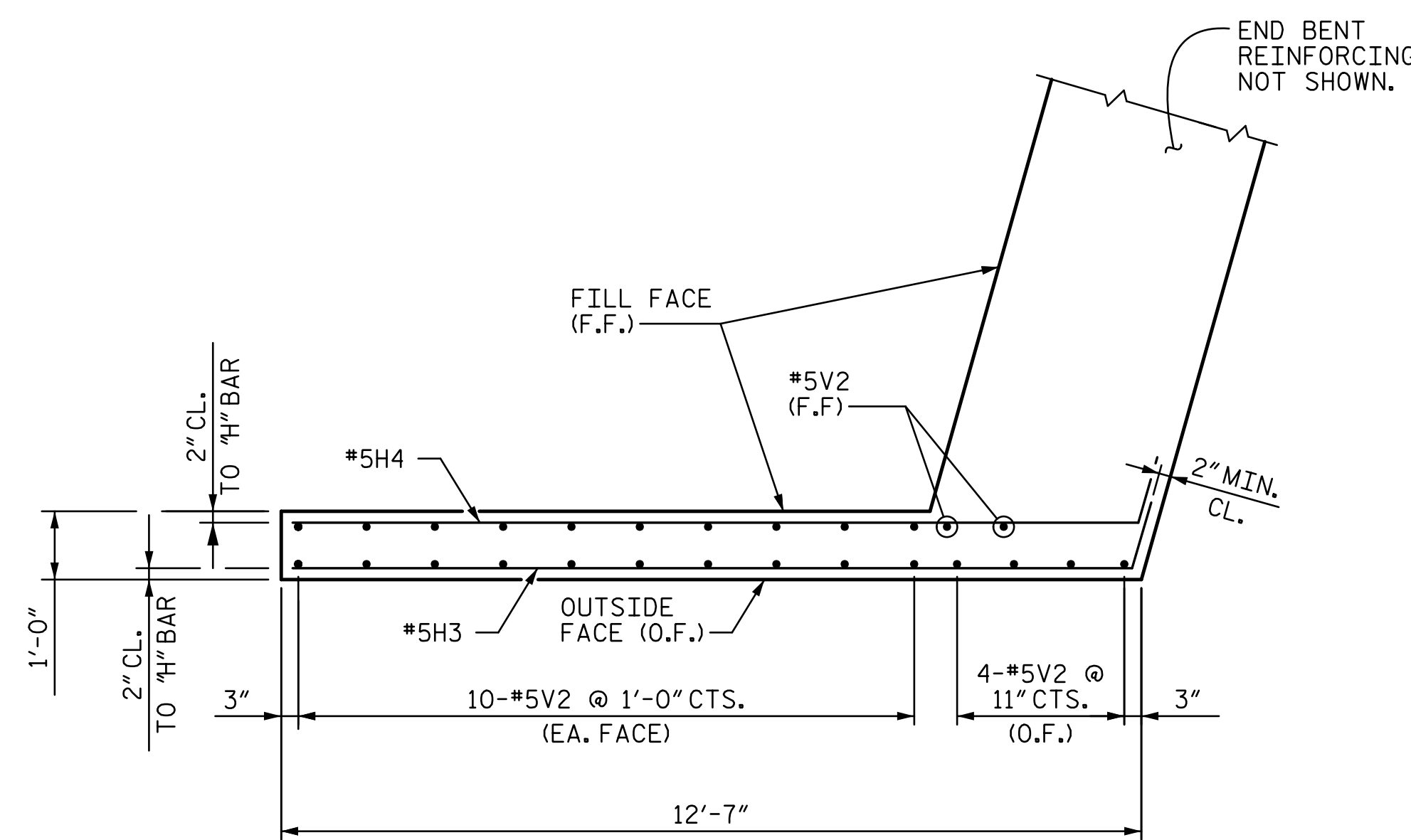
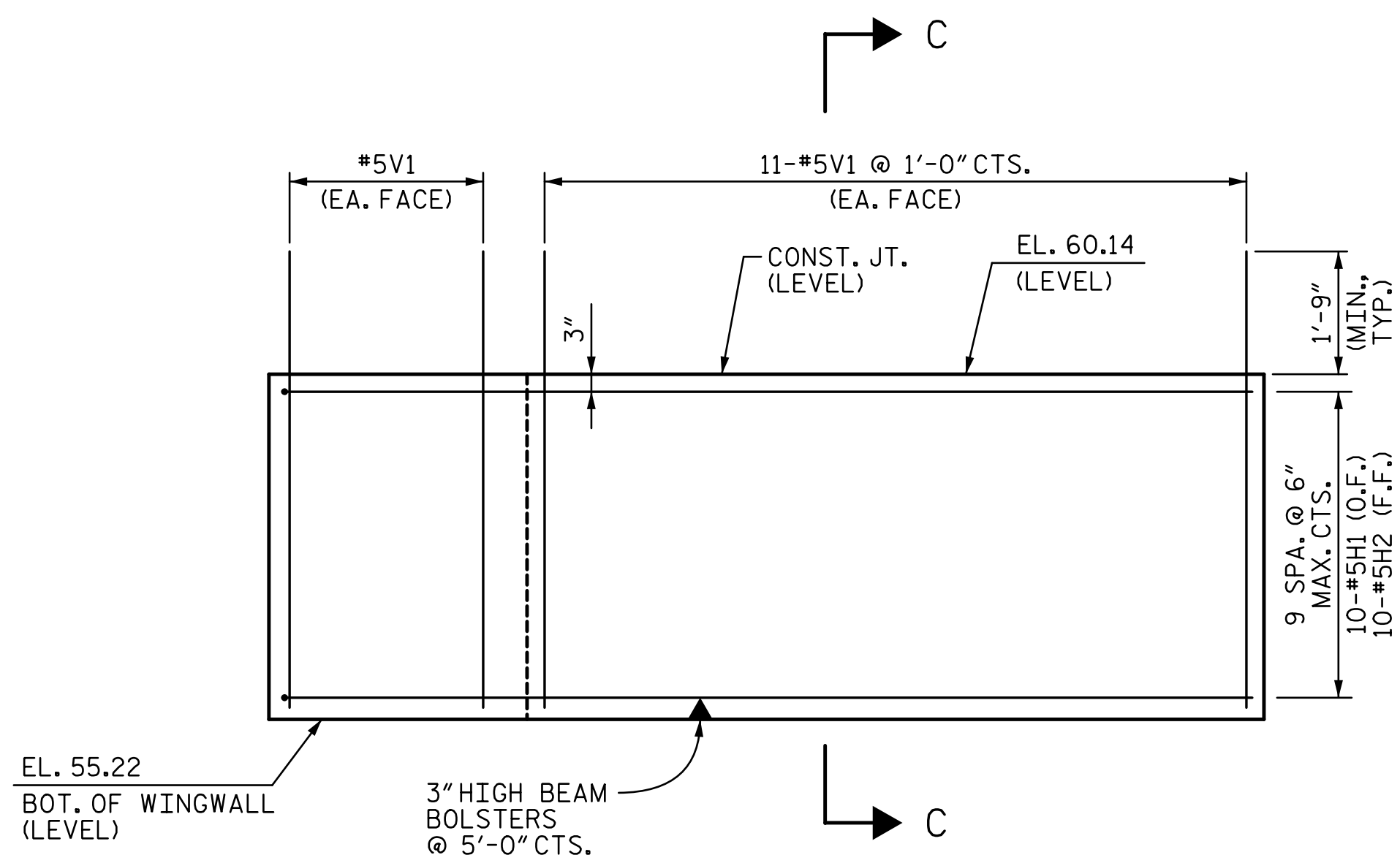


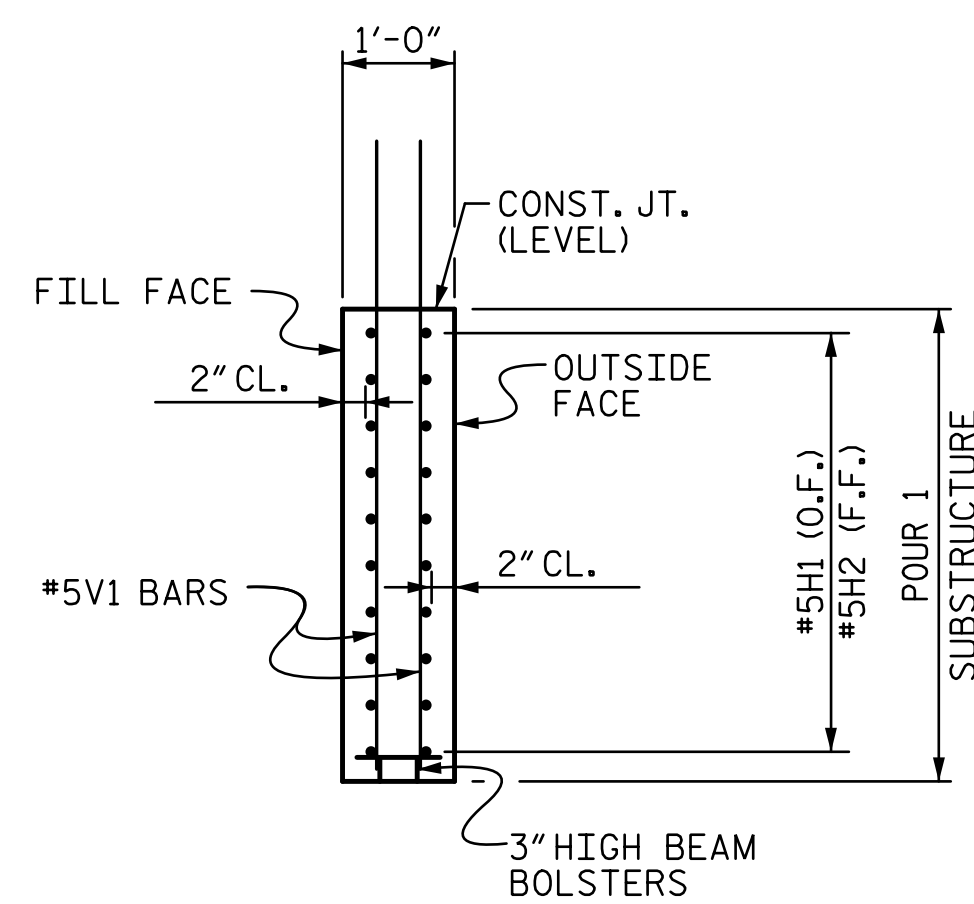
WING WALL PLAN (W1)



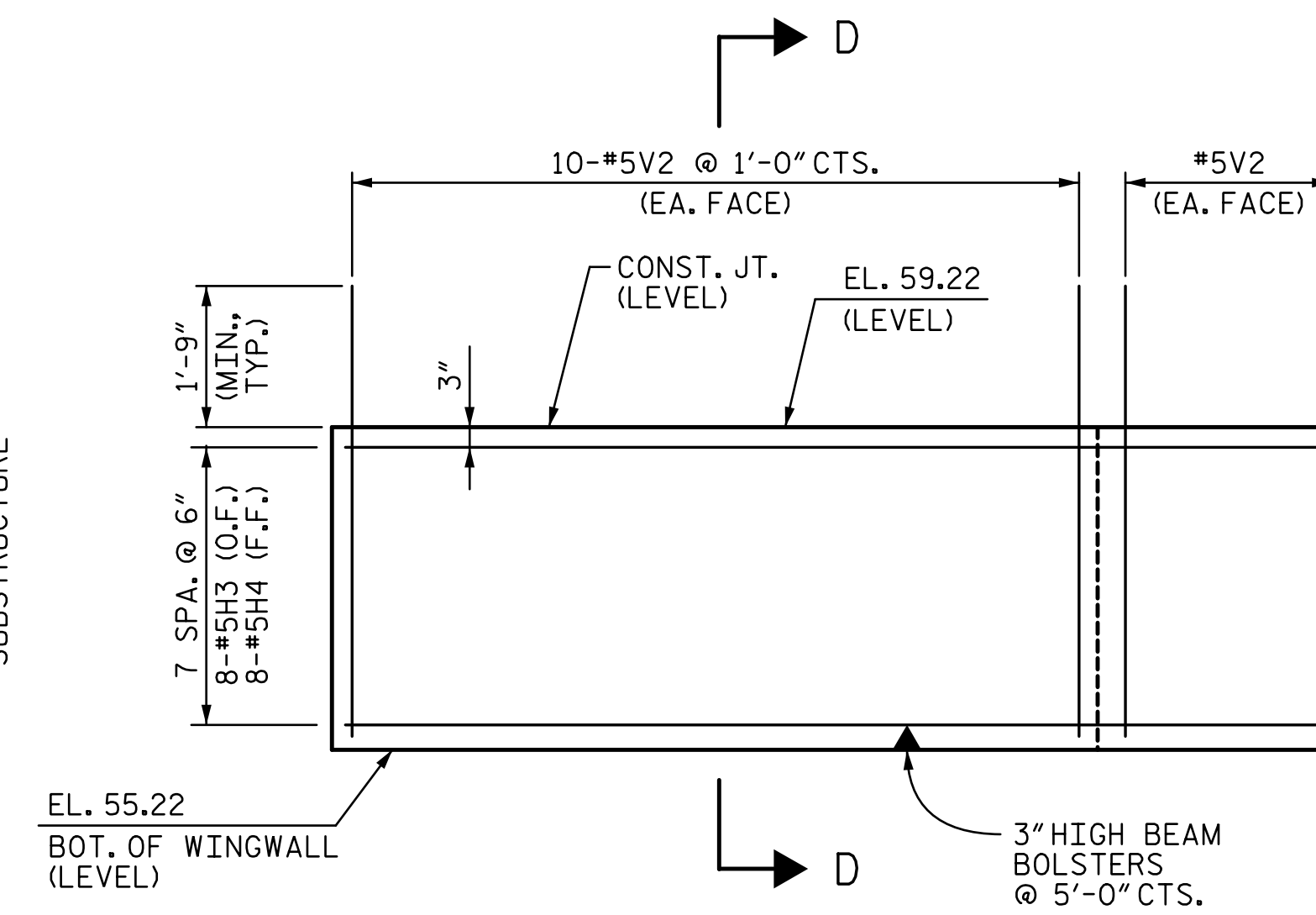
WING WALL PLAN (W2)



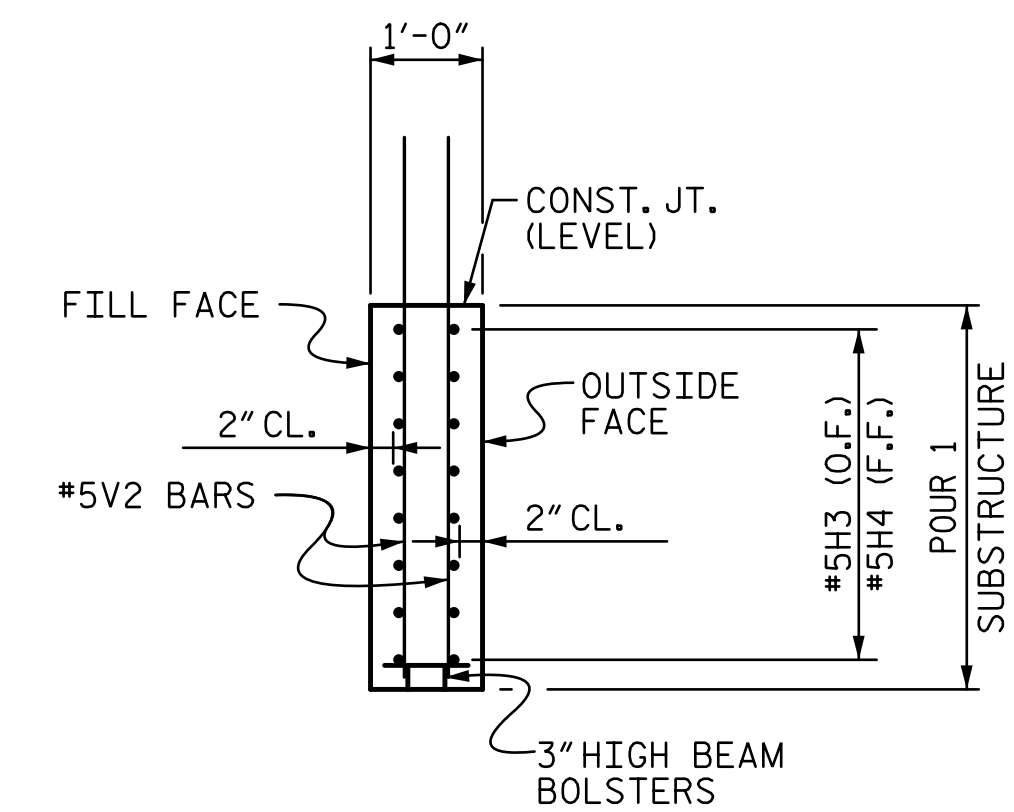
WING WALL ELEVATION (W1)



SECTION C-C

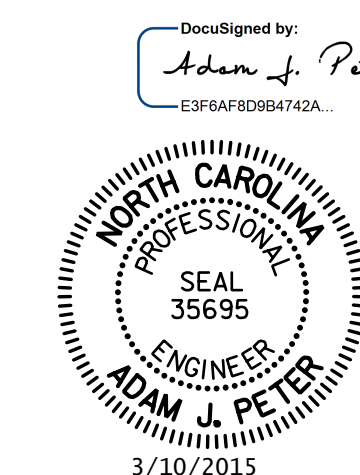


WING WALL ELEVATION (W2)



SECTION D-D

PROJECT NO. R-2514D  
JONES & CRAVEN COUNTY  
 STATION: 428+53.58 -L-  
 = 13+04.09 -Y5-  
 SHEET 2 OF 3



STATE OF NORTH CAROLINA  
 DEPARTMENT OF TRANSPORTATION  
 RALEIGH  
 SUBSTRUCTURE  
**END BENT 1**  
**(INTEGRAL)**  
**-RIGHT LANE-**

DRAWN BY: VMW DATE: 6-14  
 CHECKED BY: MLO DATE: 6-14  
 DESIGN ENGINEER OF RECORD: T. TOWNSEND DATE: 6-14

STV / Ralph Whitehead Associates, Inc.  
 900 West Trade Street, Suite 715  
 Charlotte, NC 28202  
 NC License Number F-0991

REVISIONS				SHEET NO.
NO.	BY:	DATE:	NO.	DATE:
1			3	
2			4	

TOTAL SHEETS: 24

R:\Site 5\usta\Finals\Site 5 RL\410\_018\_R2514D\_SMU\_EB102.dgn  
 3/5/2015 5:22:12 PM