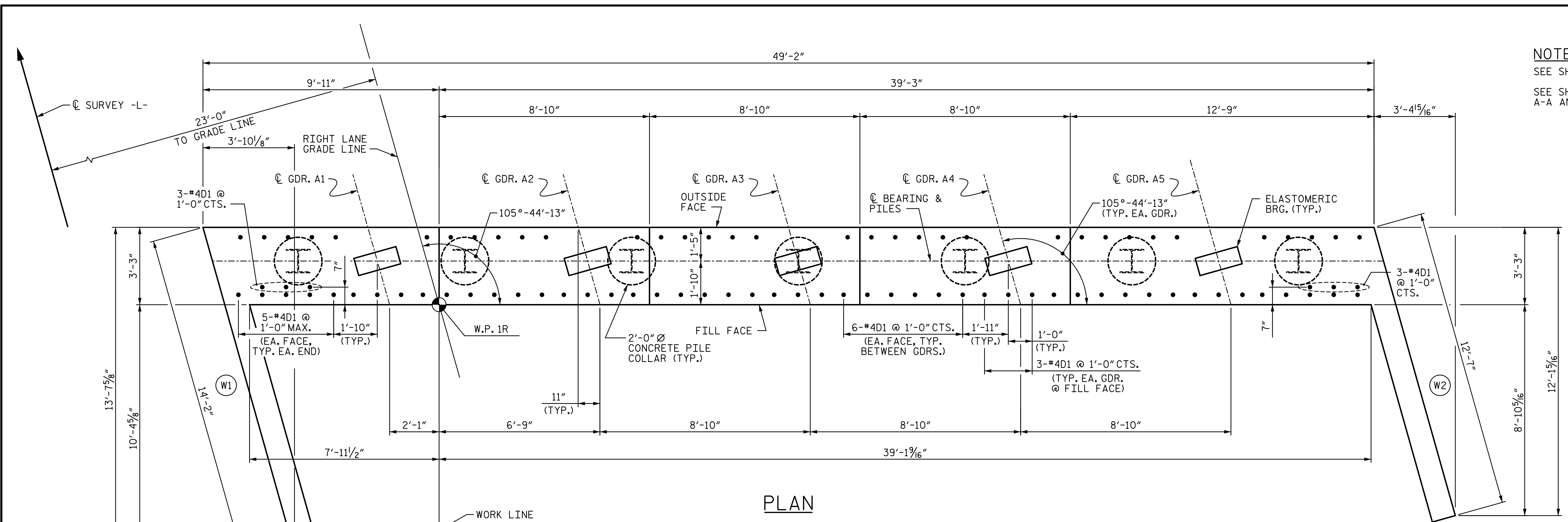
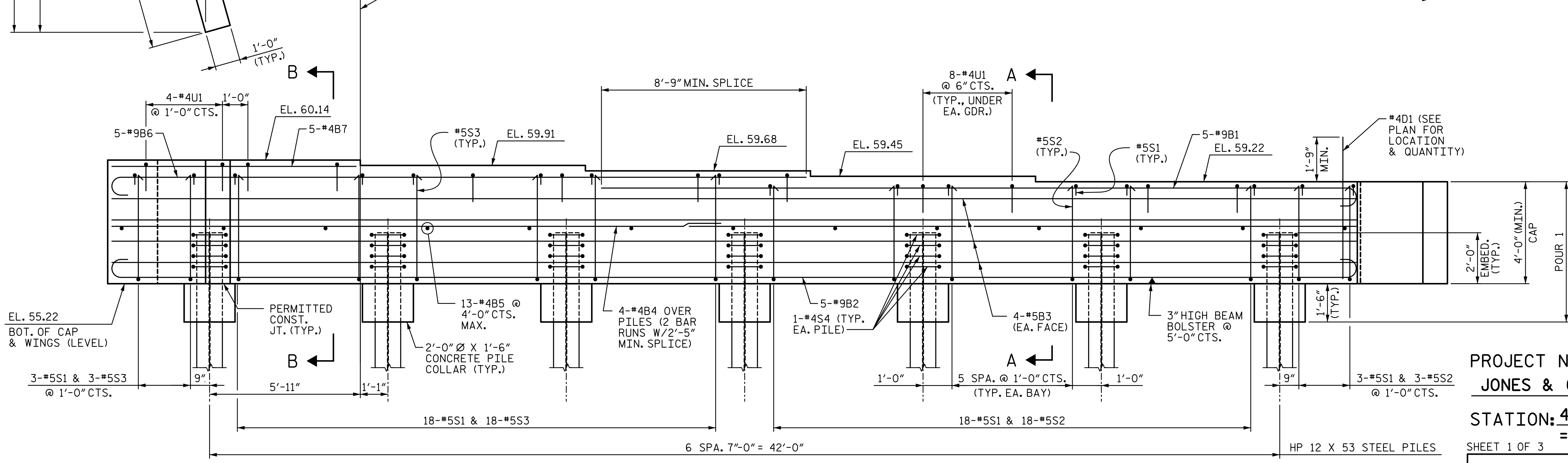


NOTES:
 SEE SHEET 3 OF 3 FOR NOTES.
 SEE SHEET 3 OF 3 FOR SECTIONS A-A AND B-B.



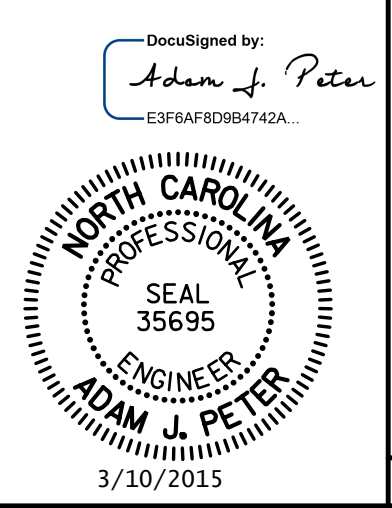
PLAN



ELEVATION

(LOOKING IN THE DIRECTION OF STATIONING)
 (WING DETAILS NOT SHOWN FOR CLARITY)

PROJECT NO. **R-2514D**
JONES & CRAVEN COUNTY
 STATION: **428+53.58 -L-**
 = **13+04.09 -Y5-**
 SHEET 1 OF 3



STATE OF NORTH CAROLINA
 DEPARTMENT OF TRANSPORTATION
 RALEIGH
 SUBSTRUCTURE
END BENT 1
(INTEGRAL)
-RIGHT LANE-

REVISIONS				SHEET NO.	
NO.	BY:	DATE:	NO.	BY:	DATE:
1			3		
2			4		

TOTAL SHEETS: 24

STV / Ralph Whitehead Associates, Inc.
 900 West Trade Street, Suite 715
 Charlotte, NC 28202
 NC License Number F-0991

R:\Site 5\usr\finals\Site 5 RL\410_017_R2514D_SMU_EB101.dgn
 3/5/2015 5:12:12 PM

DRAWN BY: **VMW** DATE: **6-14**
 CHECKED BY: **MLO** DATE: **6-14**
 DESIGN ENGINEER OF RECORD: **T. TOWNSEND** DATE: **6-14**