

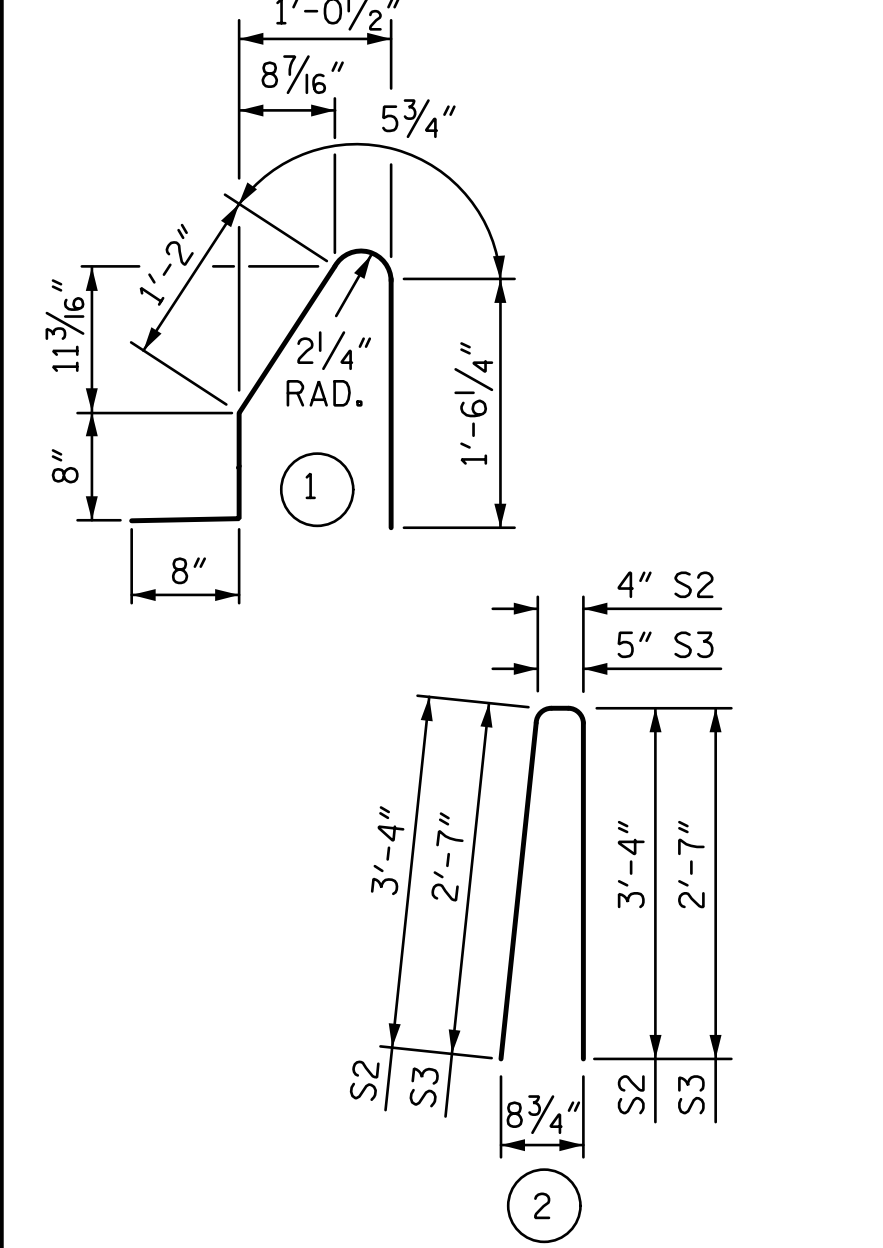
NOTES

THE BARRIER RAIL IN THE SPAN SHALL NOT BE CAST UNTIL ALL SLAB CONCRETE IN THAT SPAN HAS BEEN CAST AND HAS REACHED A MINIMUM COMPRESSIVE STRENGTH OF 3,000 PSI.

ALL REINFORCING STEEL IN BARRIER RAILS SHALL BE EPOXY COATED.

GROOVED CONTRACTION JOINTS, 1/2" IN DEPTH, SHALL BE TOOLED IN ALL EXPOSED FACES OF THE BARRIER RAIL AND IN ACCORDANCE WITH ARTICLE 825-10(B) OF THE STANDARD SPECIFICATIONS. THE CONTRACTION JOINT SHALL BE LOCATED AT EACH THIRD POINT BETWEEN BARRIER RAIL EXPANSION JOINTS. ONLY ONE CONTRACTION JOINT IS REQUIRED AT MIDPOINT OF BARRIER RAIL SEGMENTS LESS THAN 20 FEET IN LENGTH AND NO CONTRACTION JOINTS ARE REQUIRED FOR THOSE SEGMENTS LESS THAN 10 FEET IN LENGTH.

BAR TYPES



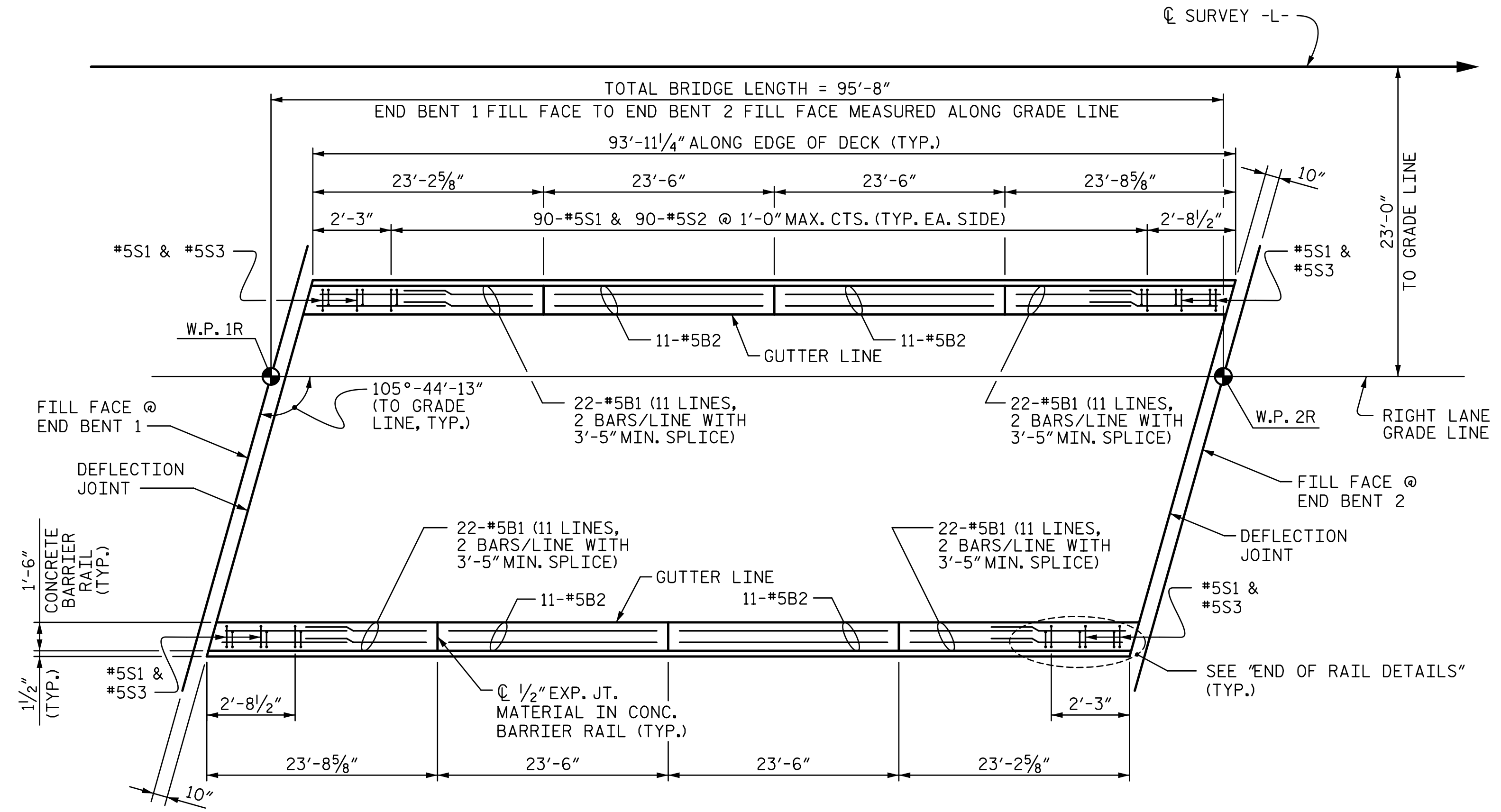
ALL BAR DIMENSIONS ARE OUT TO OUT

BILL OF MATERIAL

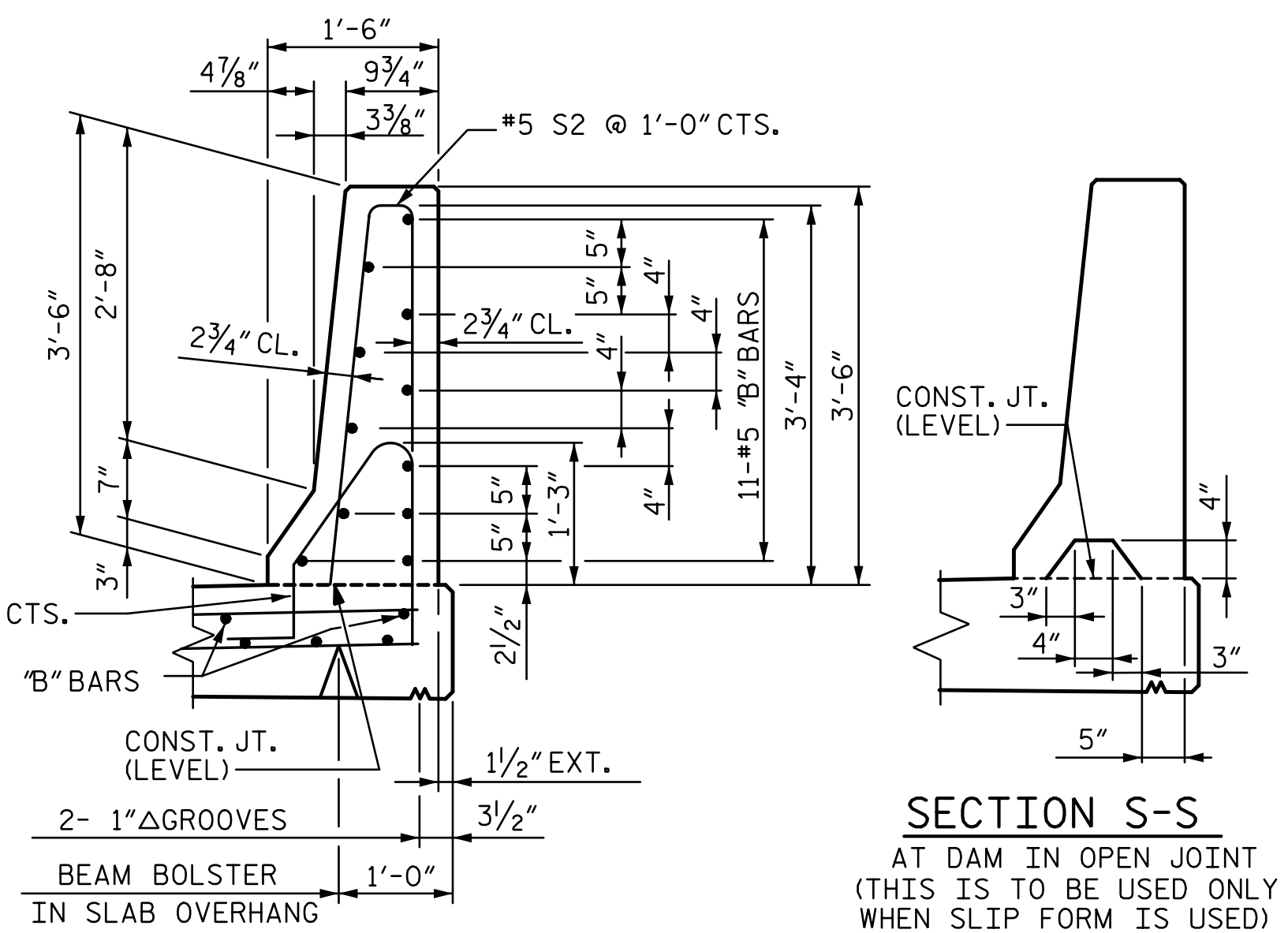
FOR CONCRETE BARRIER RAIL ONLY

BAR	NO.	SIZE	TYPE	LENGTH	WEIGHT
* S1	188	#5	1	4'-6"	882
* S2	180	#5	2	7'-0"	1,314
* S3	8	#5	2	5'-7"	47
* B1	88	#5	STR	13'-5"	1,231
* B2	44	#5	STR	23'-1"	1,059

* EPOXY COATED REINFORCING STEEL 4,533 LBS.
 CLASS AA CONCRETE 25.6 CU. YDS.
 CONCRETE BARRIER RAIL 187.88 LIN. FT.

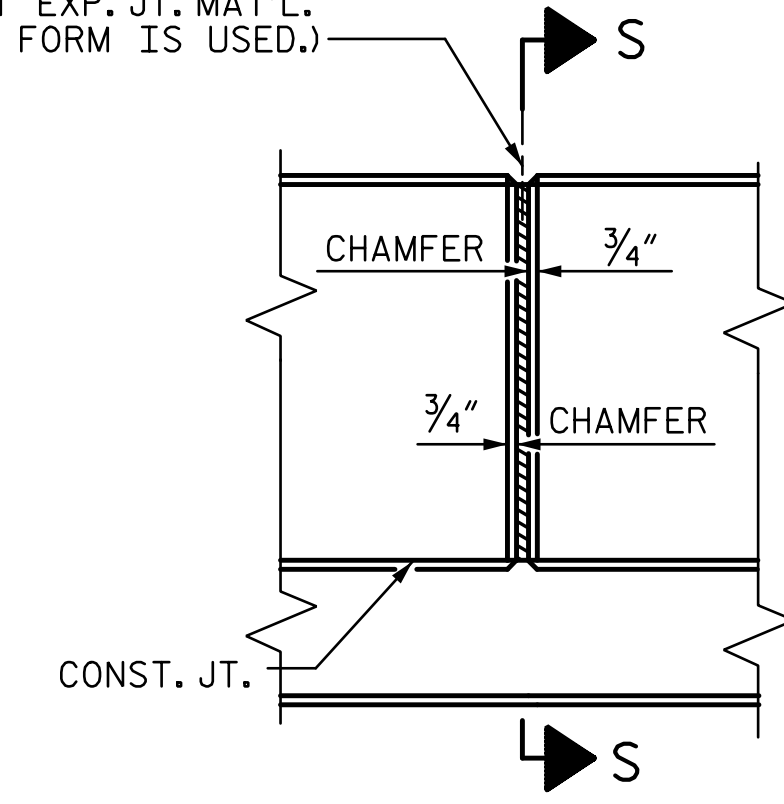


PLAN OF BARRIER RAIL

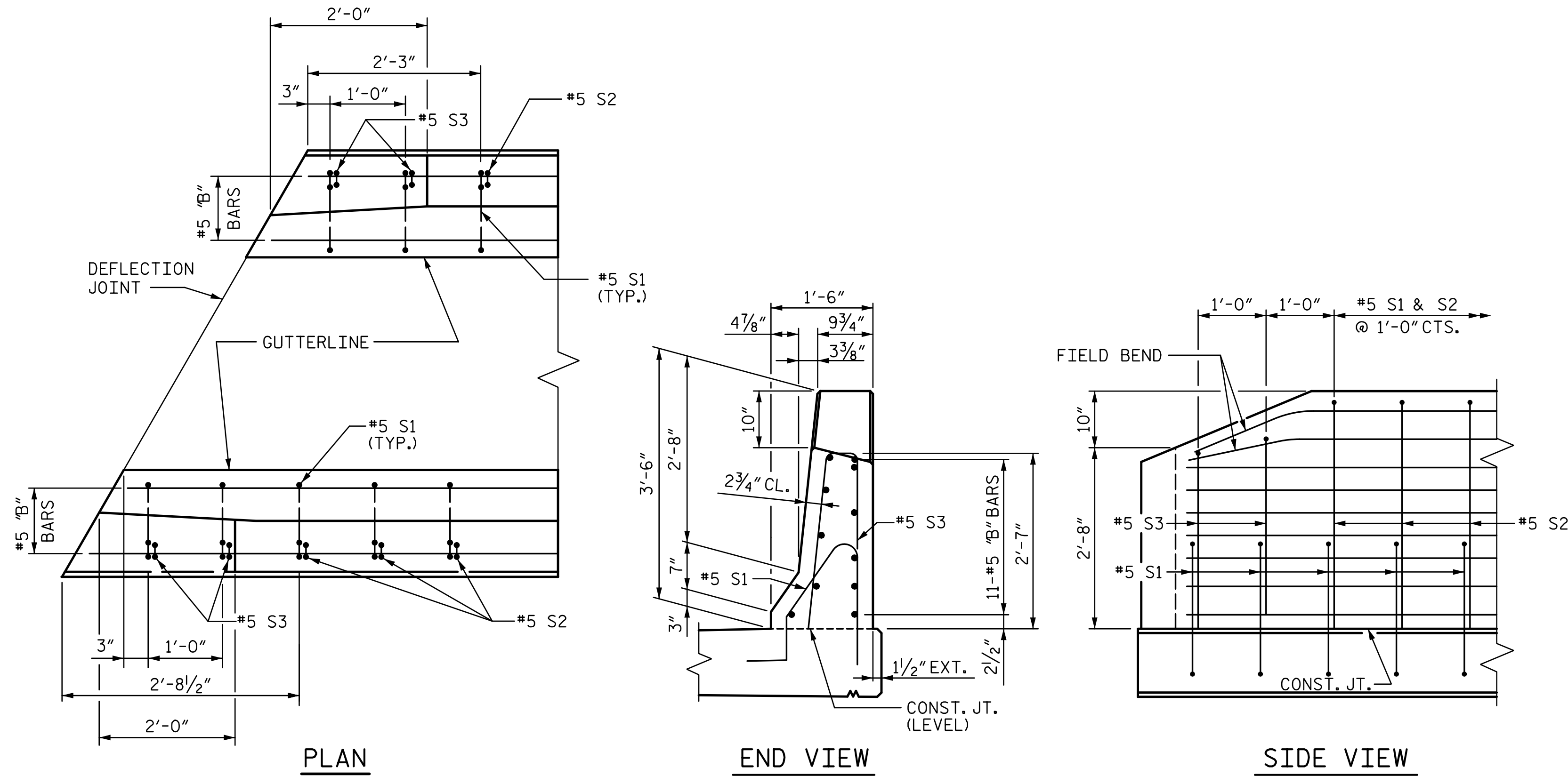


SECTION THRU RAIL

1/2" EXP. JT. MAT'L HELD IN PLACE WITH GALVANIZED NAILS. (NOTE: OMIT EXP. JT. MAT'L WHEN SLIP FORM IS USED.)



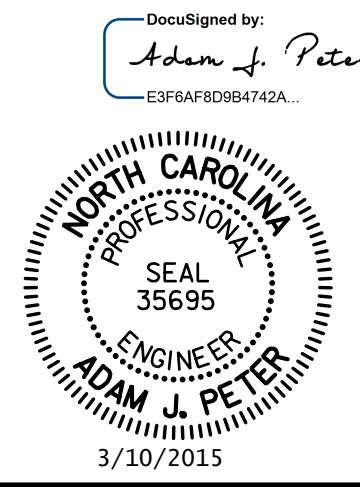
**ELEVATION AT EXPANSION JOINTS
 BARRIER RAIL DETAILS**



END OF RAIL DETAILS

PROJECT NO. R-2514D
JONES & CRAVEN COUNTY
 STATION: 428+53.58 -L-
 = 13+04.09 -Y5-

STATE OF NORTH CAROLINA
 DEPARTMENT OF TRANSPORTATION
 RALEIGH
 SUPERSTRUCTURE
CONCRETE BARRIER RAIL
 -RIGHT LANE-



REVISIONS				SHEET NO.
NO.	BY:	DATE:	NO.	DATE:
1			3	
2			4	

TOTAL SHEETS: 24

STV / Ralph Whitehead Associates, Inc.
 900 West Trade Street, Suite 715
 Charlotte, NC 28202
 NC License Number F-0991

R:\Site 5\usta\Finals\Site 5 RL\410-014_R2514D_SMU_CBR.dgn 5/12/2015 3/5/2015

DRAWN BY: VMW DATE: 6-14
 CHECKED BY: MLO DATE: 6-14
 DESIGN ENGINEER OF RECORD: A. PETER DATE: 6-14