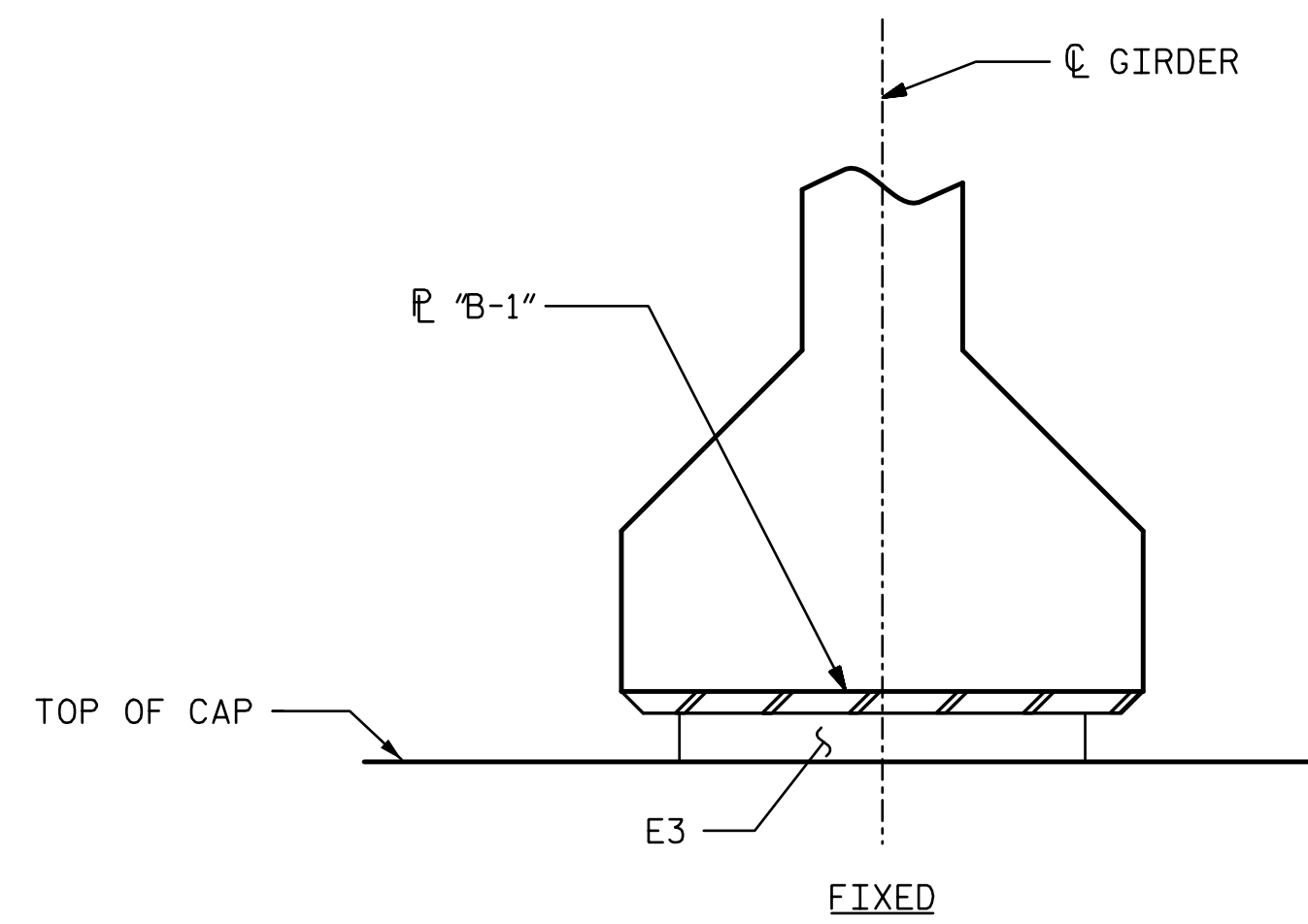


**NOTES**

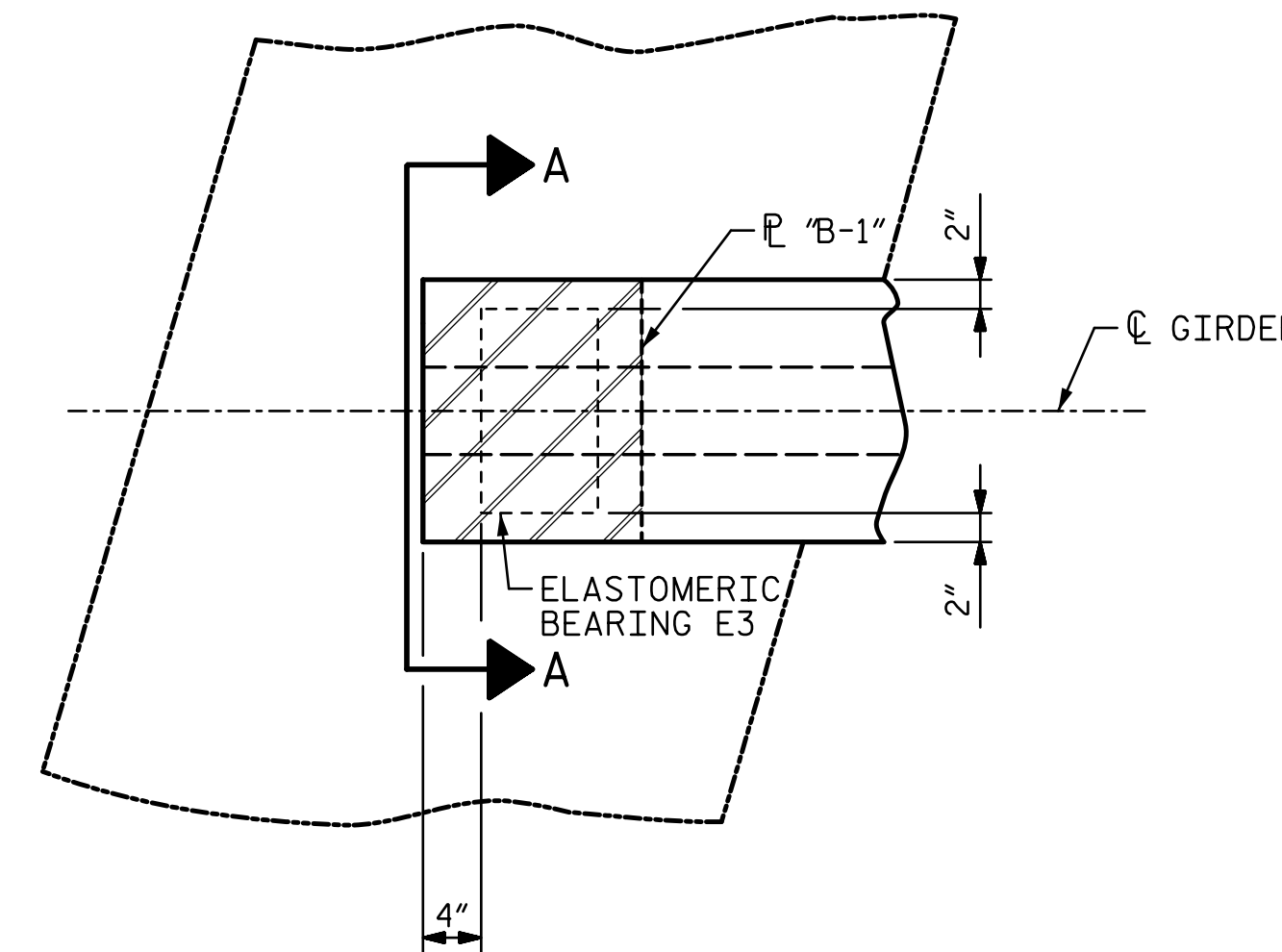
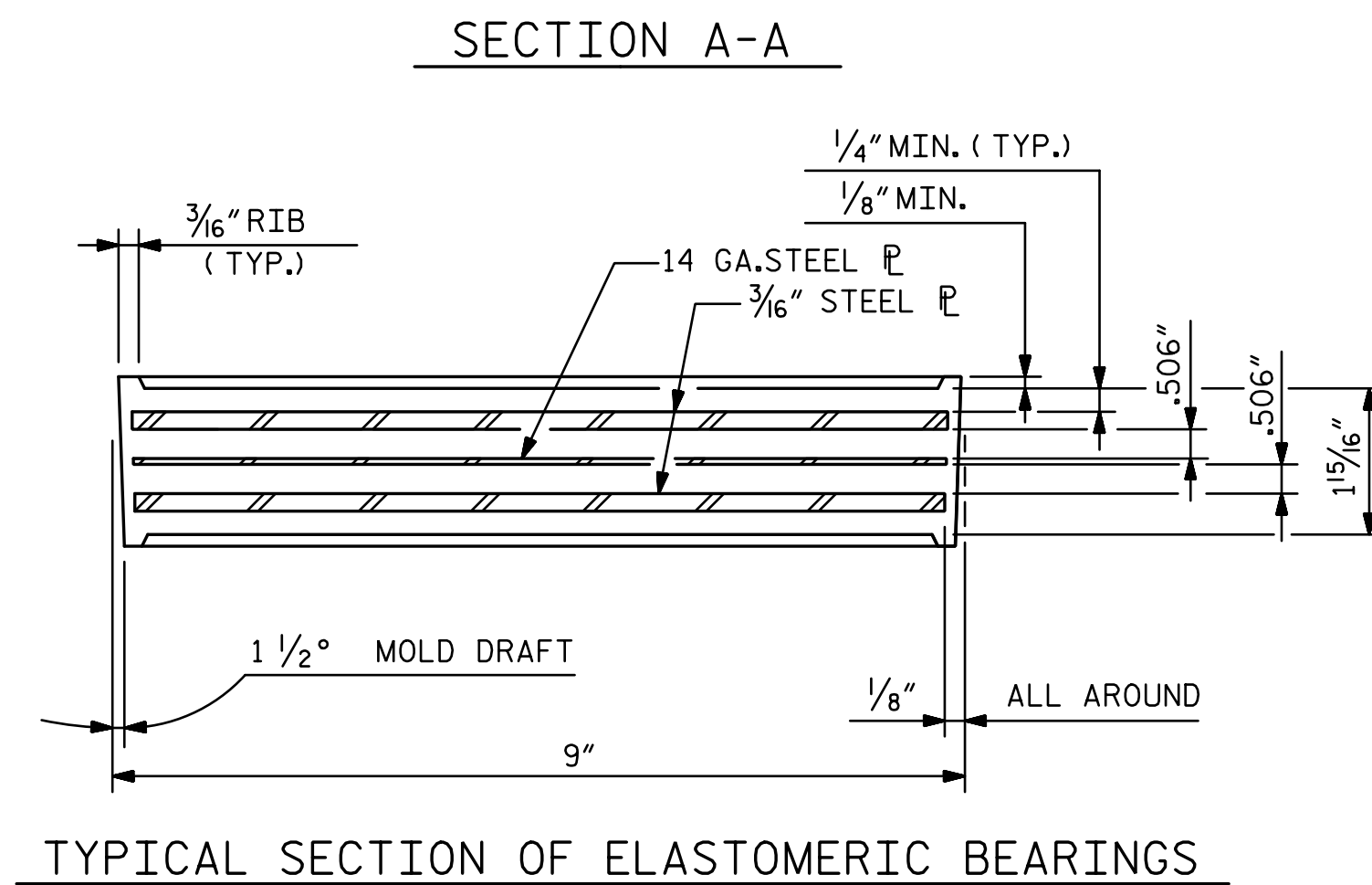
THE ELASTOMER IN THE STEEL REINFORCED BEARINGS SHALL HAVE A SHEAR MODULUS OF 0.160 KSI, IN ACCORDANCE WITH AASHTO M251.

FOR STEEL REINFORCED ELASTOMERIC BEARINGS, SEE SPECIAL PROVISIONS.

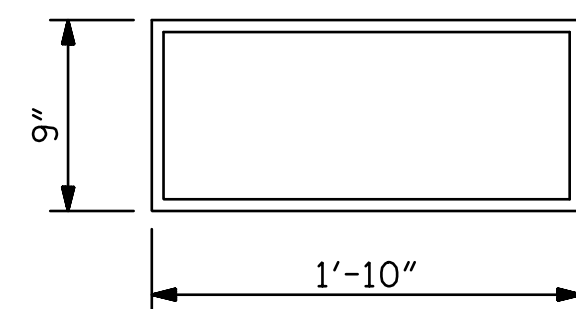


— LOAD RATINGS —

	MAX. D.L.+L.L.
E3	225 k



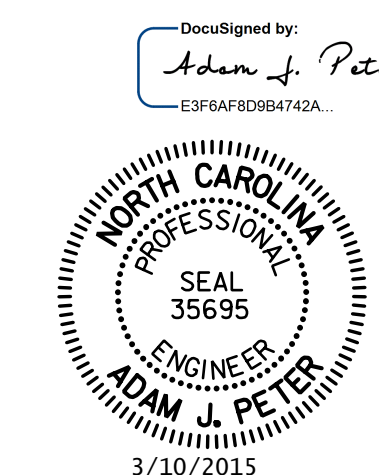
PLAN VIEW  
(END BENT 1 SHOWN, END BENT 2 SIMILAR)



E3 (10 REQ'D)  
PLAN VIEW OF ELASTOMERIC BEARING

TYPE IV

PROJECT NO. R-2514D  
JONES & CRAVEN COUNTY  
 STATION: 428+53.58 -L-  
 = 13+04.09 -Y5-



STATE OF NORTH CAROLINA  
 DEPARTMENT OF TRANSPORTATION  
 RALEIGH  
 SUPERSTRUCTURE  
**ELASTOMERIC BEARING DETAILS**  
 -RIGHT LANE-

REVISIONS				SHEET NO.	
NO.	BY:	DATE:	NO.	BY:	DATE:
1			3		
2			4		

TOTAL SHEETS: 24

STV / Ralph Whitehead Associates, Inc.  
 900 West Trade Street, Suite 715  
 Charlotte, NC 28202  
 NC License Number F-0991

R:\Site 5\ustfa\Finals\Site 5 RL\410\_013\_R2514D\_SMU\_EBD.dgn  
 3/5/2015 5:22:10 PM

DRAWN BY: VMW DATE: 6-14  
 CHECKED BY: AJP DATE: 6-14  
 DESIGN ENGINEER OF RECORD: A. PETER DATE: 6-14