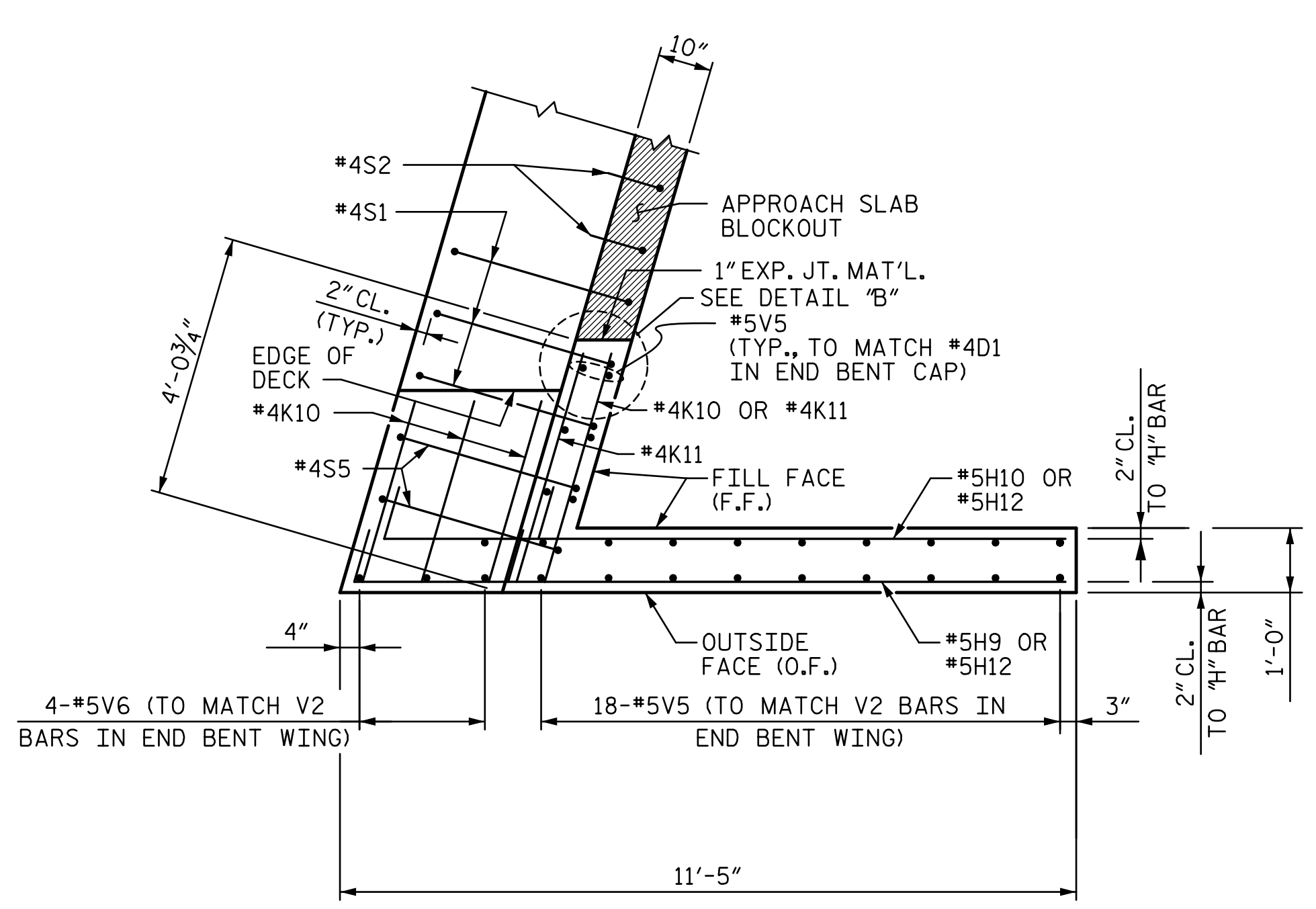


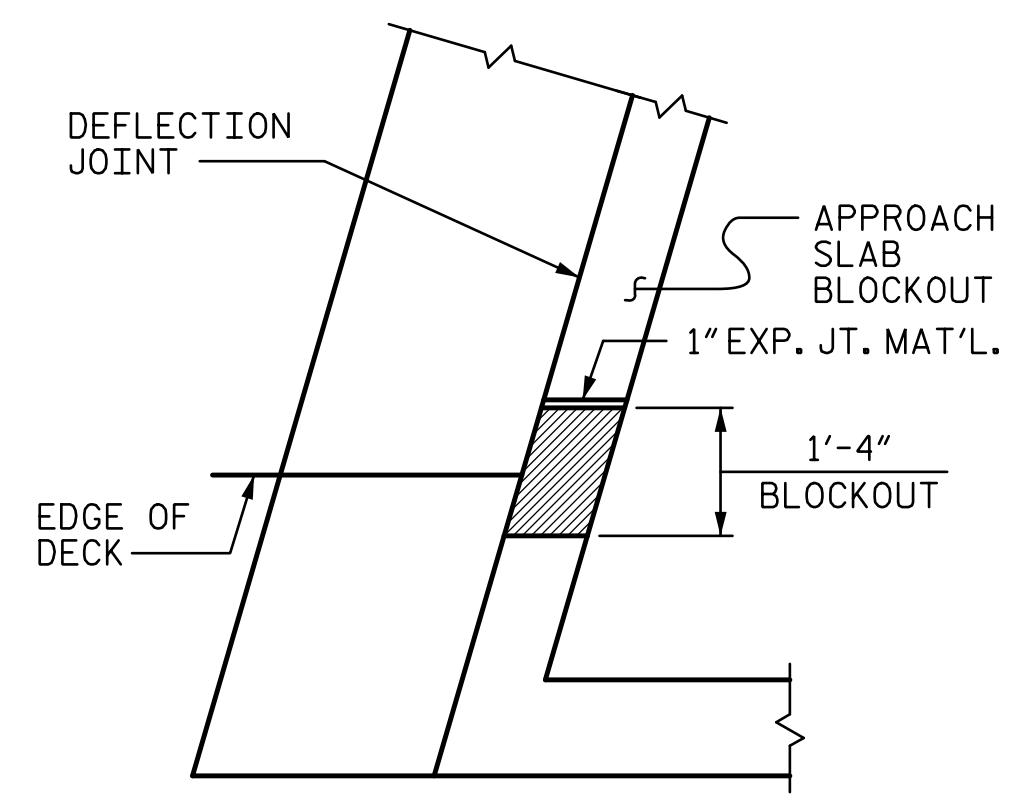
WING WALL PLAN (W3)

C

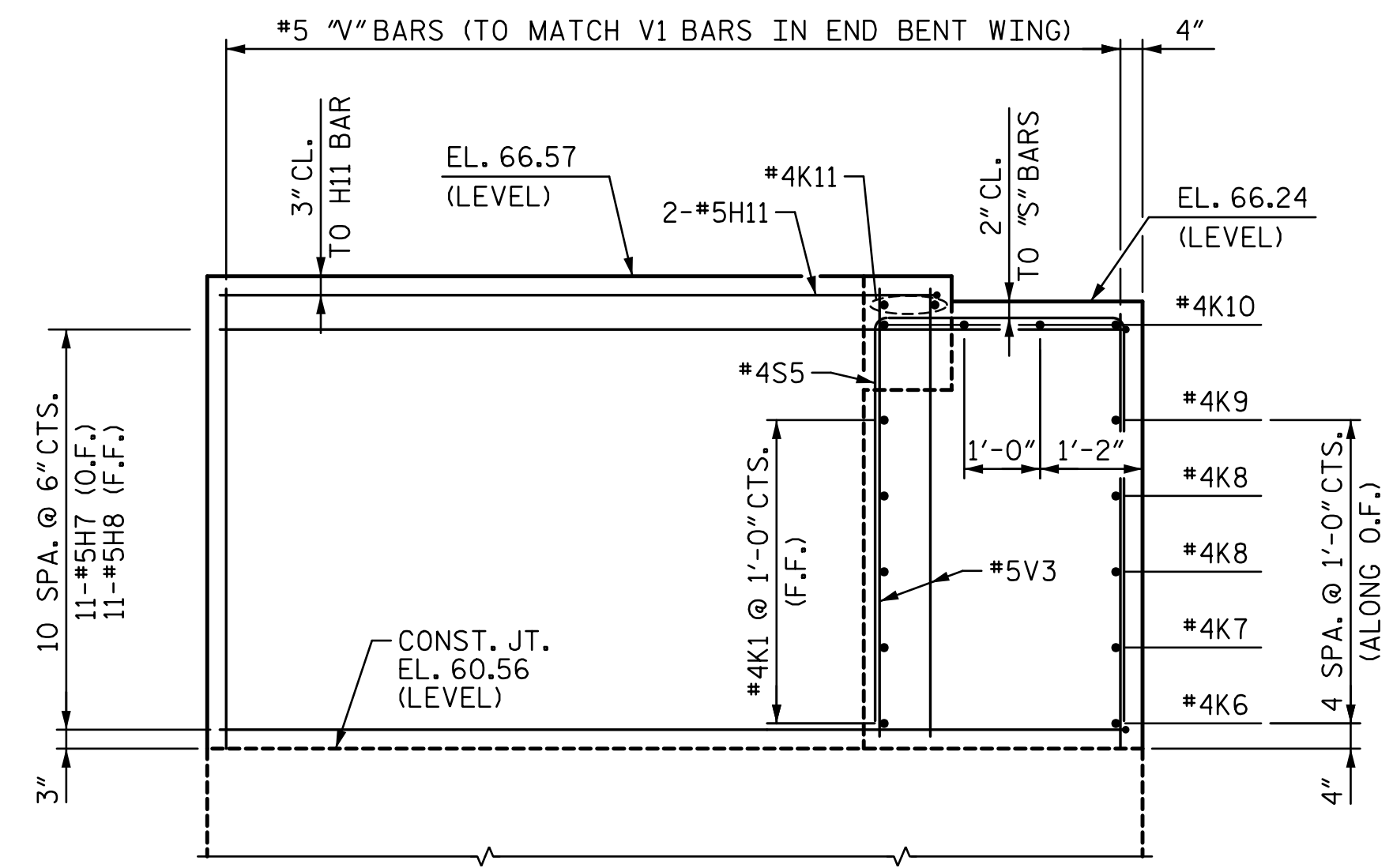


WING WALL PLAN (W4)

D

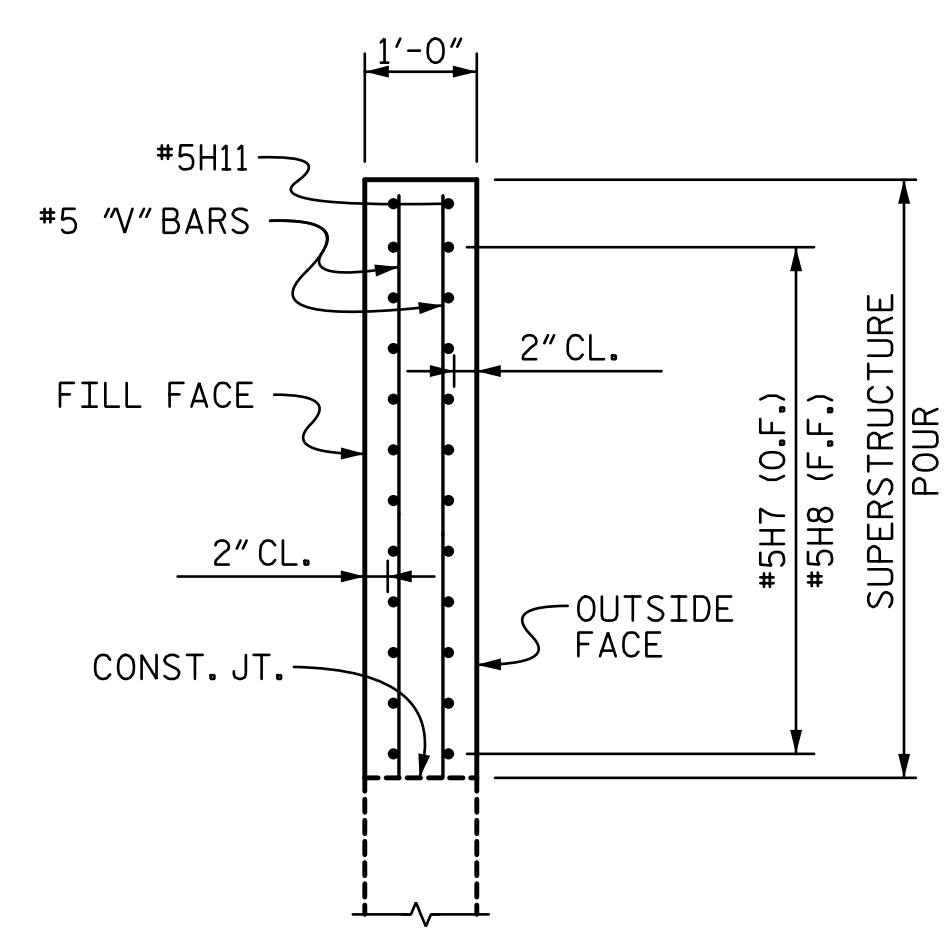


PLAN
ELEVATION
DETAIL "B"
(WINGWALL (W4) SHOWN, WINGWALL (W3) SIMILAR.)
THE CONCRETE IN THE SHADED AREA OF THE WING SHALL BE POURED AFTER THE DEFLECTION JOINT HAS BEEN SAWED AND THE BARRIER RAIL IS CAST IF SLIP FORMING IS USED.

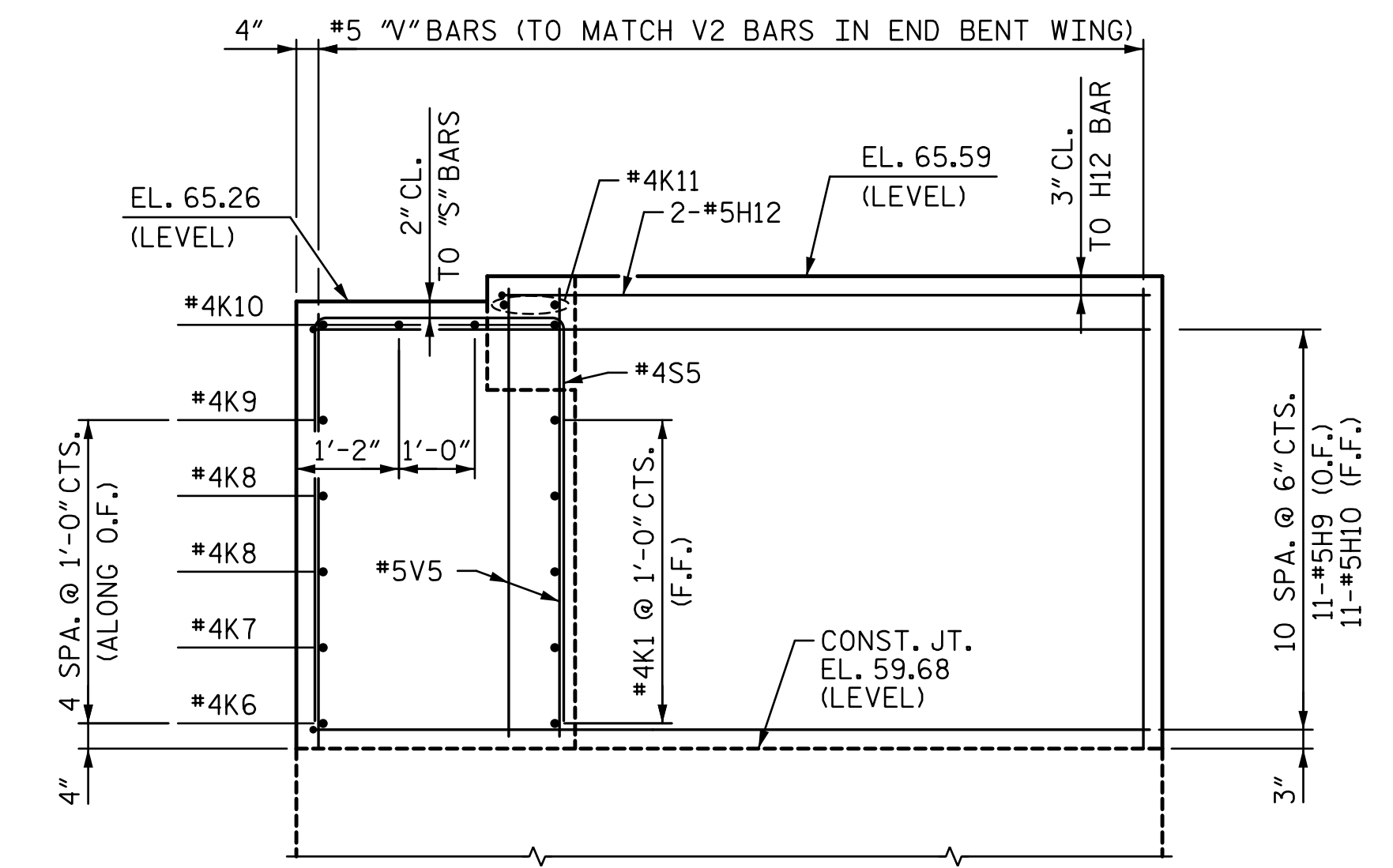


WING WALL ELEVATION (W3)

C

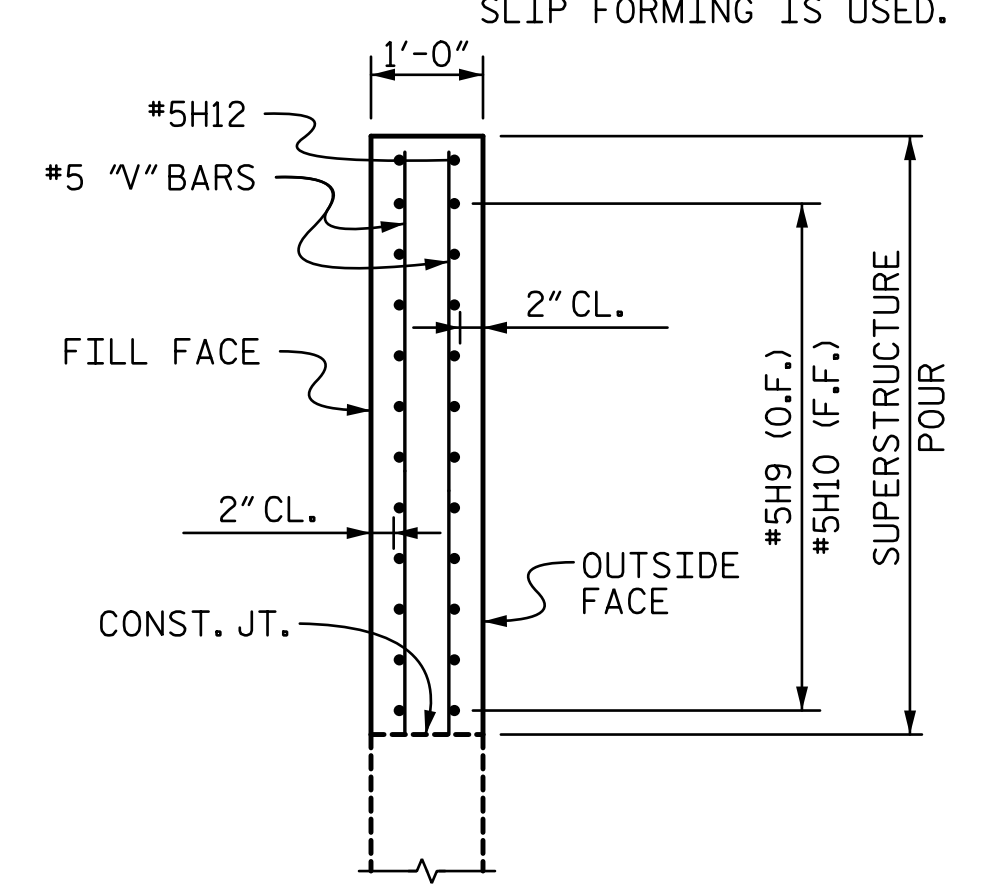


SECTION C-C



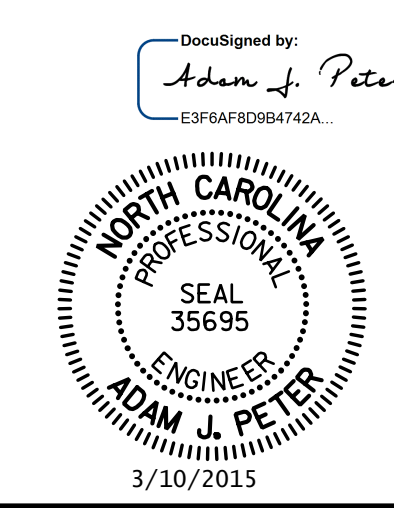
WING WALL ELEVATION (W4)

D



SECTION D-D

PROJECT NO. R-2514D
JONES & CRAVEN COUNTY
STATION: 428+53.58 -L-
= 13+04.09 -Y5-
SHEET 2 OF 2



STATE OF NORTH CAROLINA
DEPARTMENT OF TRANSPORTATION
RALEIGH
SUPERSTRUCTURE
PLAN OF SPANS
DETAILS
-RIGHT LANE-

DRAWN BY : VMW	DATE : 6-14	DESIGN ENGINEER OF RECORD : T. TOWNSEND	DATE : 6-14
CHECKED BY : MLO	DATE : 6-14		

STV / Ralph Whitehead Associates, Inc.
900 West Trade Street, Suite 715
Charlotte, NC 28202
NC License Number F-0991

REVISIONS				SHEET NO.
NO.	BY:	DATE:	NO.	DATE:
1			3	
2			4	

TOTAL SHEETS: 24

R:\Site 5\ustaf\Finals\Site 5 RL\410_009_R2514D_SMJ_POSD02.dgn 3/5/2015 5:12:08 PM