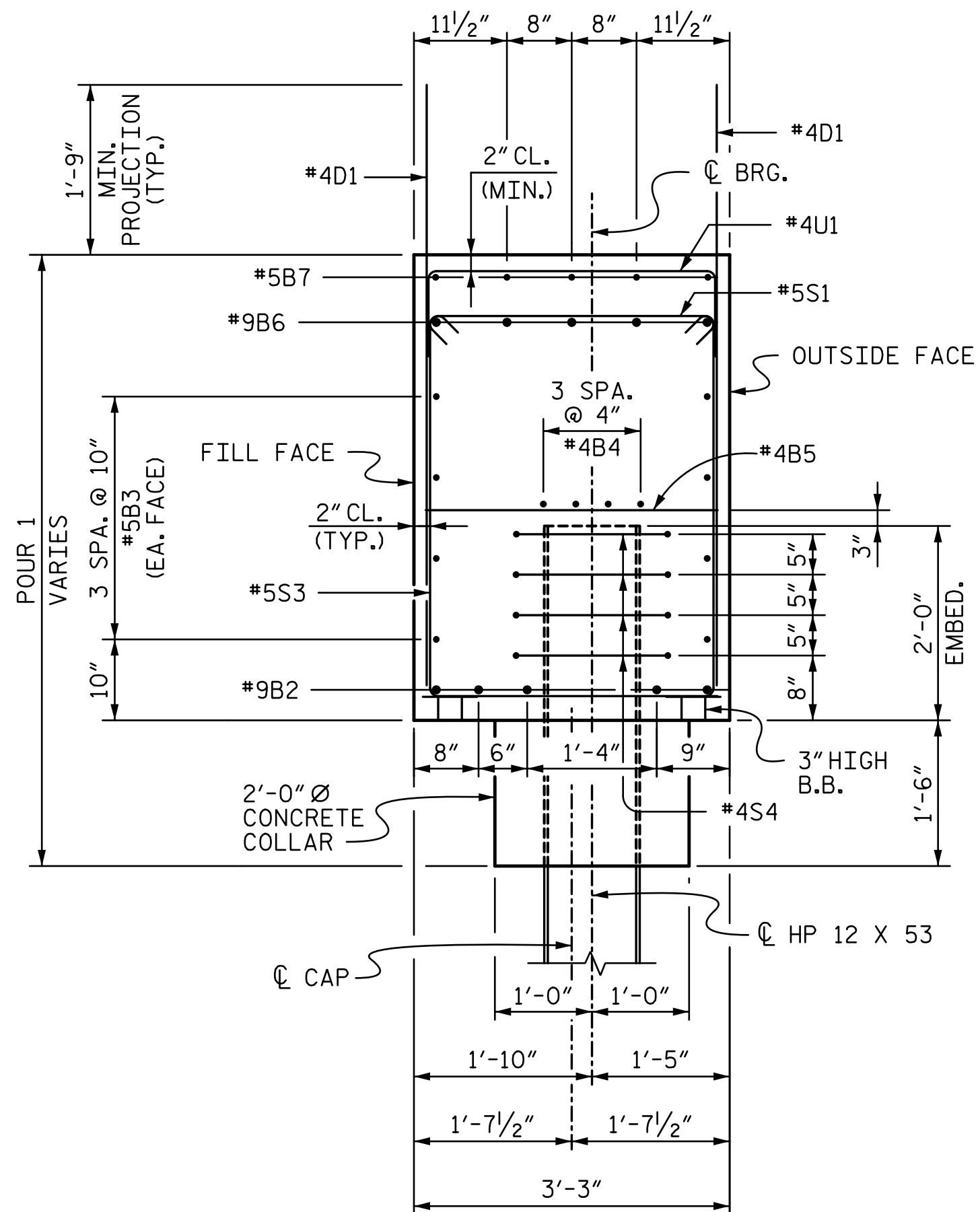
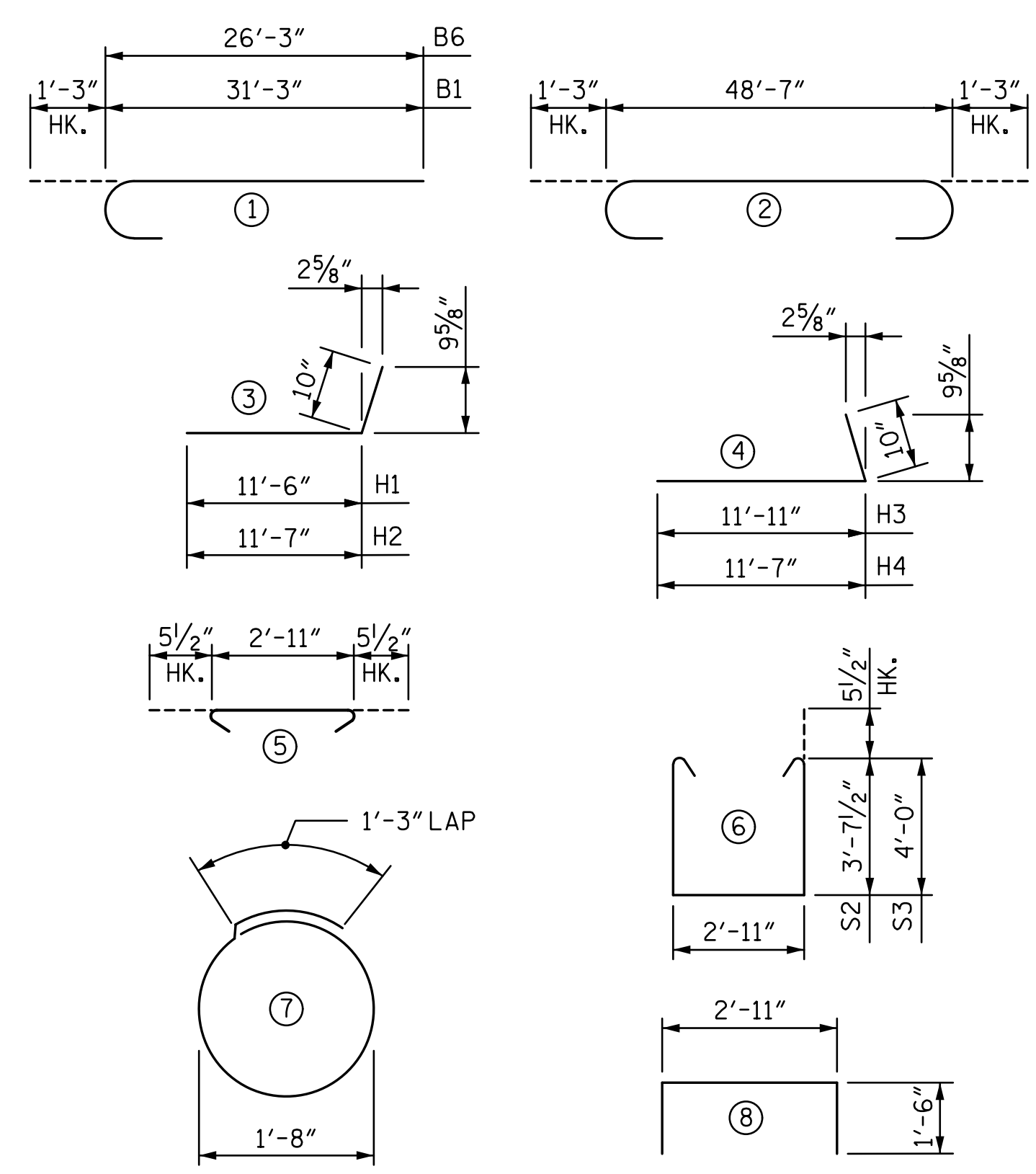


SECTION A-A



SECTION B-B

BAR TYPES



ALL BAR DIMENSIONS ARE OUT TO OUT.

BILL OF REINFORCING

MARK	NO.	SIZE	TYPE	LENGTH	WEIGHT
B1	5	#9	①	32'-6"	553
B2	5	#9	②	51'-1"	868
B3	8	#5	STR	48'-10"	407
B4	8	#4	STR	25'-8"	137
B5	13	#4	STR	2'-11"	25
B6	5	#9	①	27'-6"	468
B7	5	#4	STR	8'-8"	29
D1	89	#4	STR	6'-5"	381
H1	8	#5	③	12'-4"	103
H2	8	#5	③	12'-5"	104
H3	10	#5	④	12'-9"	133
H4	10	#5	④	12'-5"	130
S1	42	#5	⑤	3'-10"	168
S2	21	#5	⑥	11'-1"	243
S3	21	#5	⑥	11'-10"	259
S4	28	#4	⑦	6'-6"	122
U1	44	#4	⑧	5'-11"	174
V1	24	#5	STR	5'-7"	140
V2	24	#5	STR	6'-5"	161

NOTES:

FOR INTEGRAL BACKWALL REINFORCEMENT, SEE "TYPICAL SECTION AND INTEGRAL BACKWALL" AND "PLAN OF SPANS DETAILS" SHEETS.

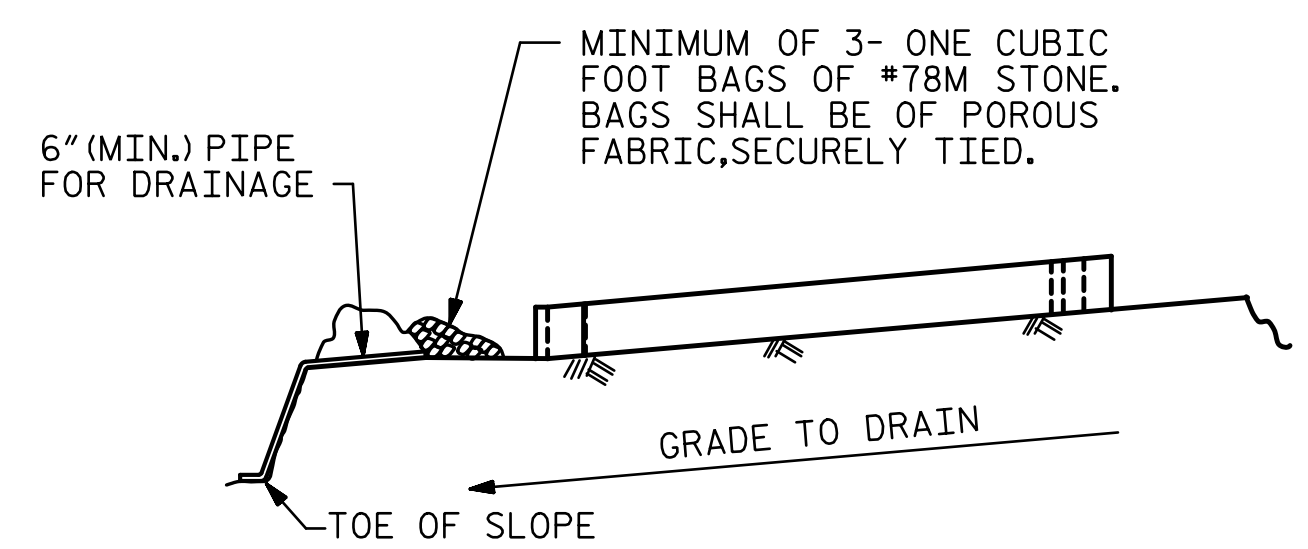
FOR FOUNDATION NOTES, SEE SHEET TITLED "FOUNDATION LAYOUT".

THE TOP SURFACE OF THE END BENT CAP AND WINGS, EXCLUDING THE BEARING AREA, SHALL BE RAKED TO A DEPTH OF 1/4".

THE CONTRACTOR SHALL PROVIDE FOR INSTALLATION OF THE 4" DIAMETER DRAIN PIPE THROUGH THE WING WALL AS REQUIRED FOR REINFORCED BRIDGE APPROACH FILLS, SEE THE ROADWAY PLANS. REINFORCING STEEL IN THE WING WALL MAY BE SHIFTED AS NECESSARY TO CLEAR THE DRAIN PIPE.

QUANTITIES

REINFORCING STEEL	LBS.	END BENT 2
		4,563
CLASS A CONCRETE		
POUR 1 (CAP, COLLARS & LOWER WING): CU. YARDS		30.1
TOTAL : CU. YARDS		30.1
HP 12 X 53 STEEL PILES	(NO.)	7
	LIN. FEET	455
STEEL PILE POINTS	EA.	7
PILE REDRIVES	EA.	4



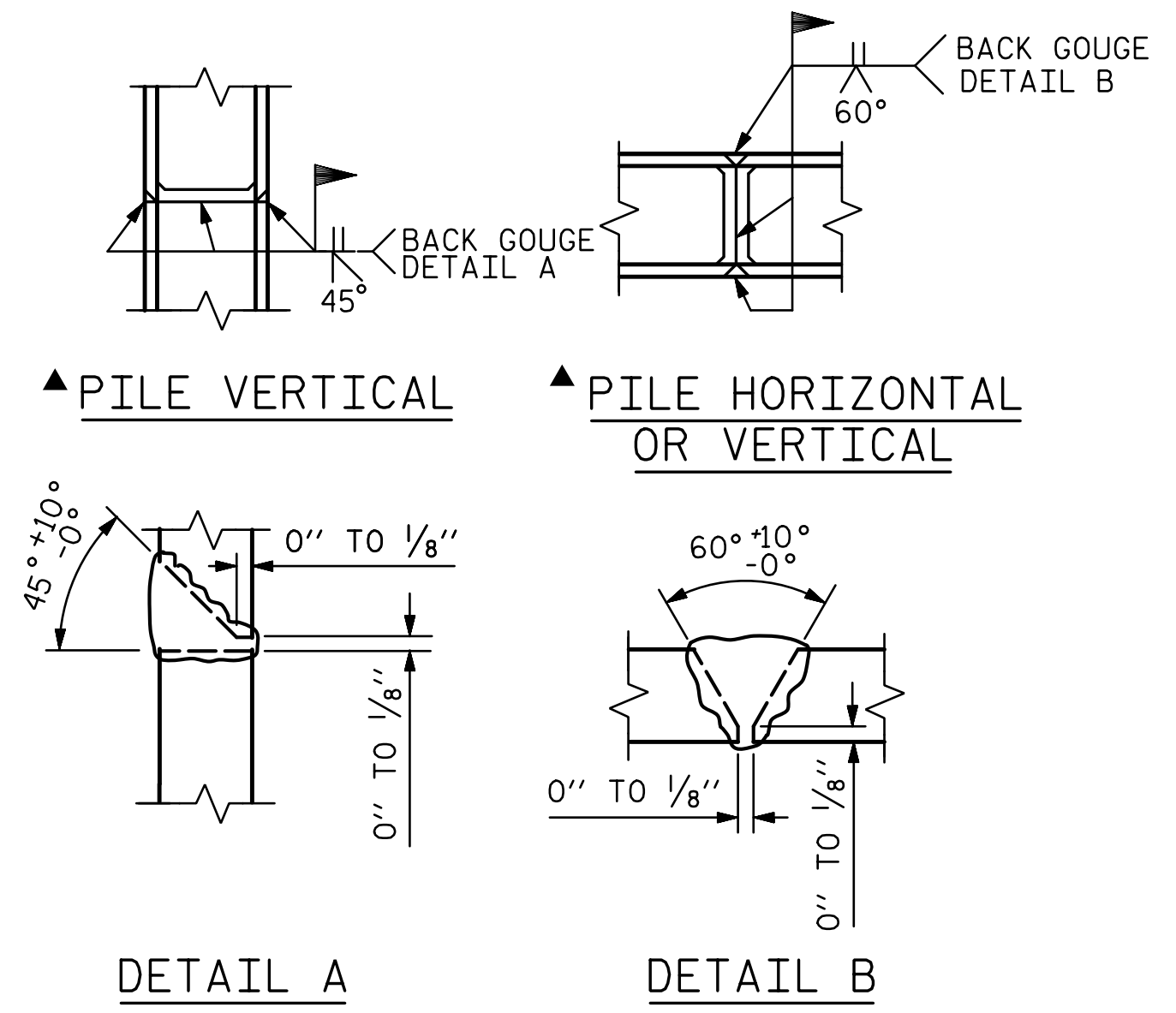
MINIMUM OF 3- ONE CUBIC FOOT BAGS OF #78M STONE. BAGS SHALL BE OF POROUS FABRIC, SECURELY TIED.

BAGGED STONE AND PIPE SHALL BE PLACED IMMEDIATELY AFTER COMPLETION OF END BENT EXCAVATION. PIPE MAY BE EITHER CONCRETE, CORRUGATED STEEL, CORRUGATED ALUMINUM ALLOY, OR CORRUGATED PLASTIC. PERFORATED PIPE WILL NOT BE ALLOWED.

BAGGED STONE SHALL REMAIN IN PLACE UNTIL THE ENGINEER DIRECTS THAT IT BE REMOVED. THE CONTRACTOR SHALL REMOVE AND DISPOSE OF SILT ACCUMULATIONS AT BAGGED STONE WHEN SO DIRECTED BY THE ENGINEER. BAGS SHALL BE REMOVED AND REPLACED WHENEVER THE ENGINEER DETERMINES THAT THEY HAVE DETERIORATED AND LOST THEIR EFFECTIVENESS.

NO SEPARATE PAYMENT WILL BE MADE FOR THIS WORK AND THE ENTIRE COST OF THIS WORK SHALL BE INCLUDED IN THE UNIT CONTRACT PRICE BID FOR THE SEVERAL PAY ITEMS.

TEMPORARY DRAINAGE AT END BENT



DETAIL A      DETAIL B

▲ POSITION OF PILE DURING WELDING.

PILE SPLICE DETAILS

PROJECT NO. R-2514D

JONES & CRAVEN COUNTY

STATION: 428+53.58 -L-

= 13+04.09 -Y5-

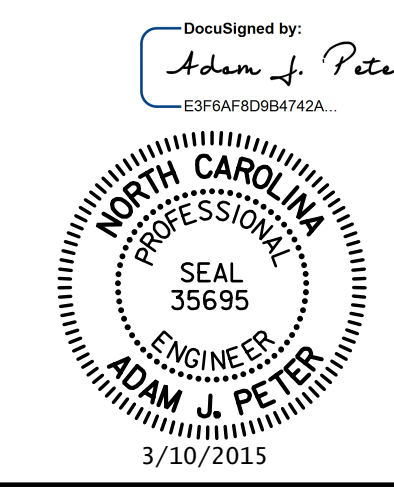
SHEET 3 OF 3

STATE OF NORTH CAROLINA  
DEPARTMENT OF TRANSPORTATION  
RALEIGH

SUBSTRUCTURE

END BENT 2  
(INTEGRAL)

-LEFT LANE-



REVISIONS				SHEET NO.
NO.	BY:	DATE:	NO.	S09-22
1			3	TOTAL SHEETS
2			4	24

STV / Ralph Whitehead Associates, Inc.  
900 West Trade Street, Suite 715  
Charlotte, NC 28202  
NC License Number F-0991

R:\Site 5\ustr\Finals\Site 5 LL\409\_022\_R2514D\_SMU\_EB203.dgn 3/5/2015 5:33:10 PM

DRAWN BY: VMW DATE: 5-14  
CHECKED BY: MLO DATE: 5-14  
DESIGN ENGINEER OF RECORD: T. TOWNSEND DATE: 6-14