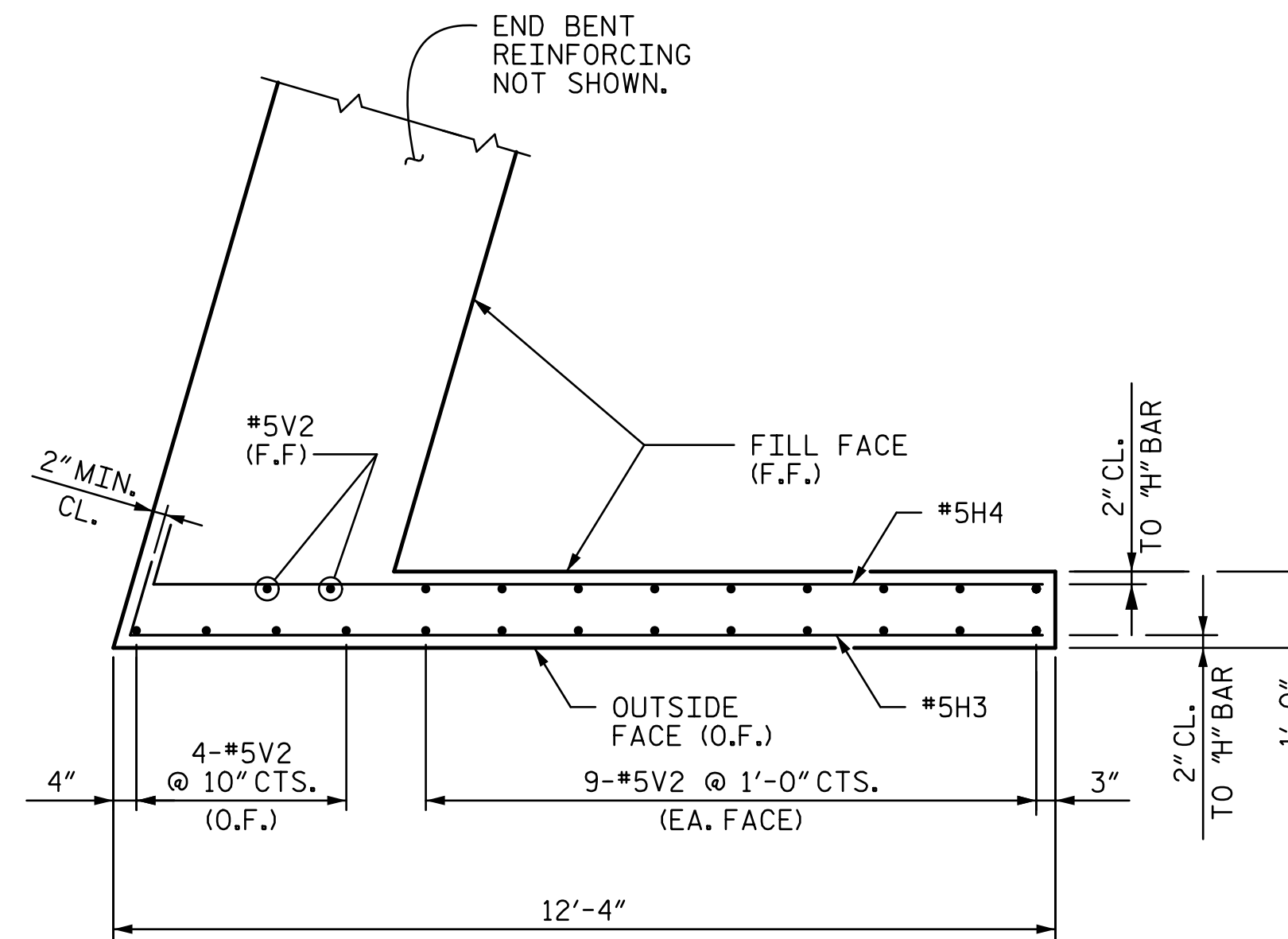
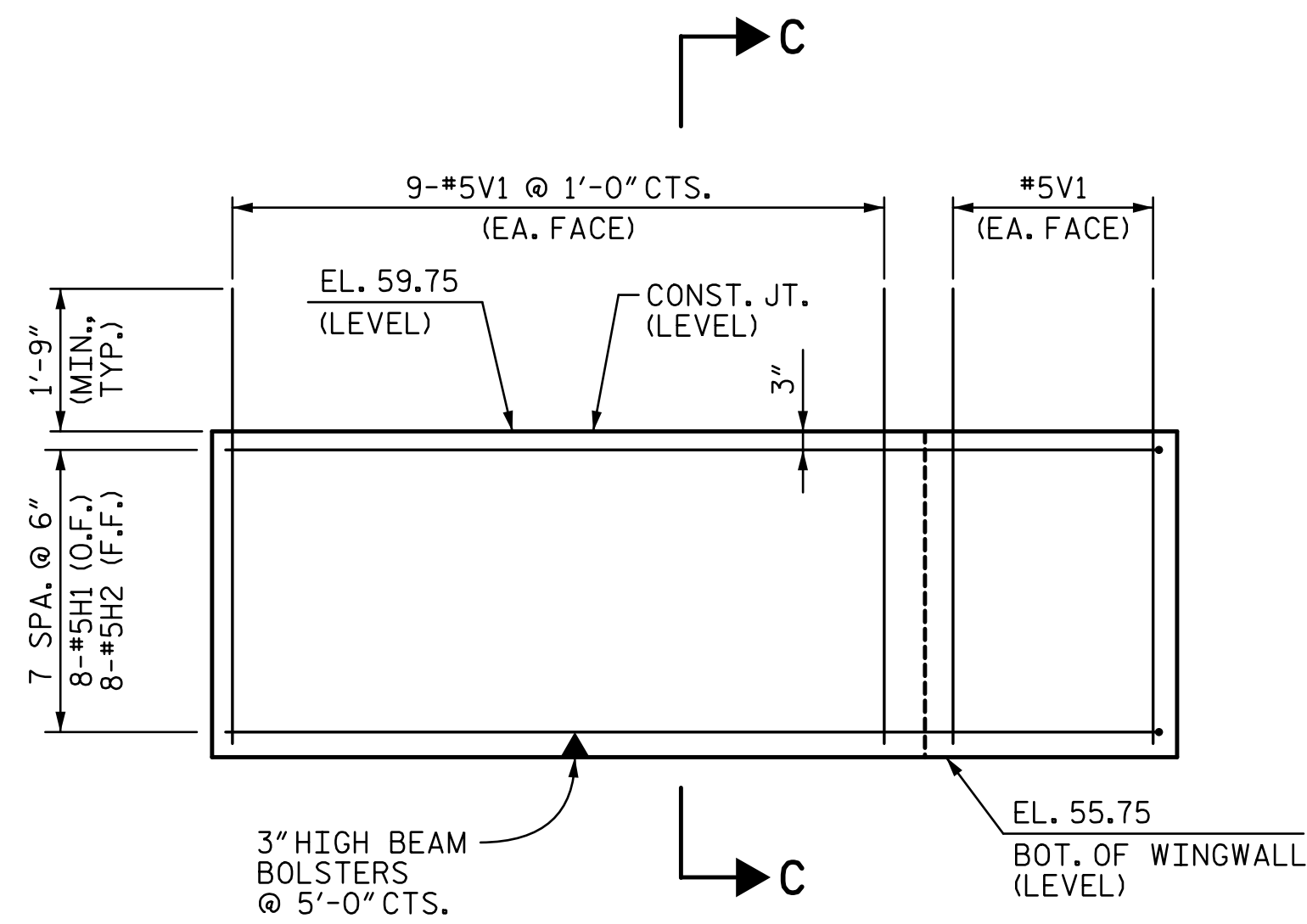


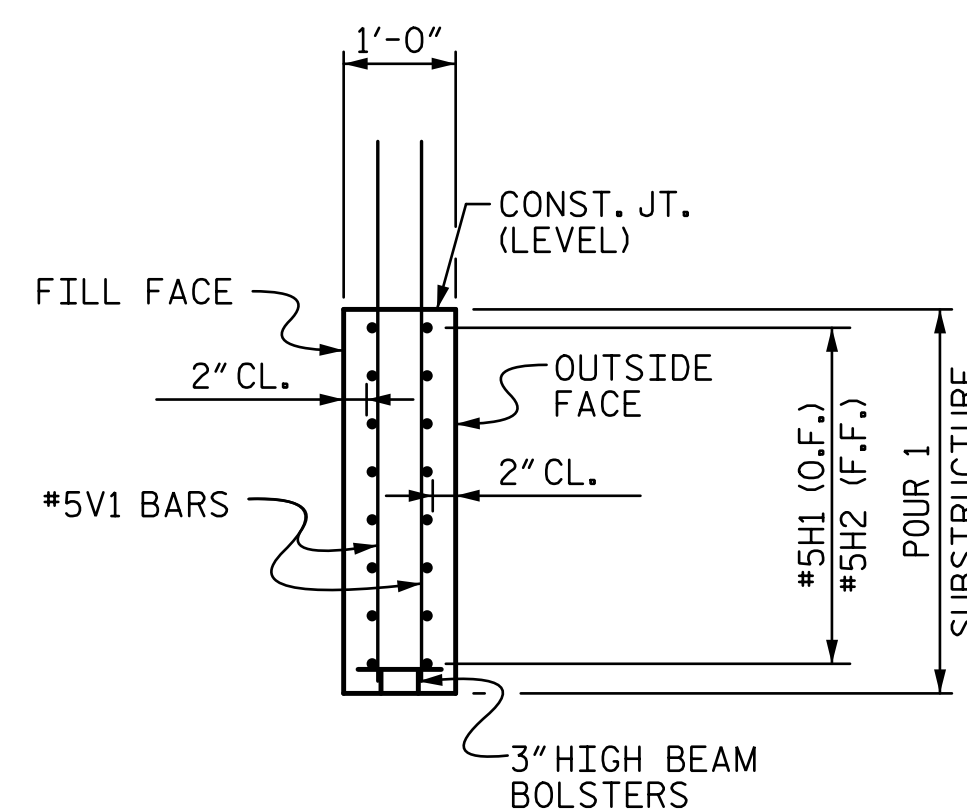
WING WALL PLAN (W3)



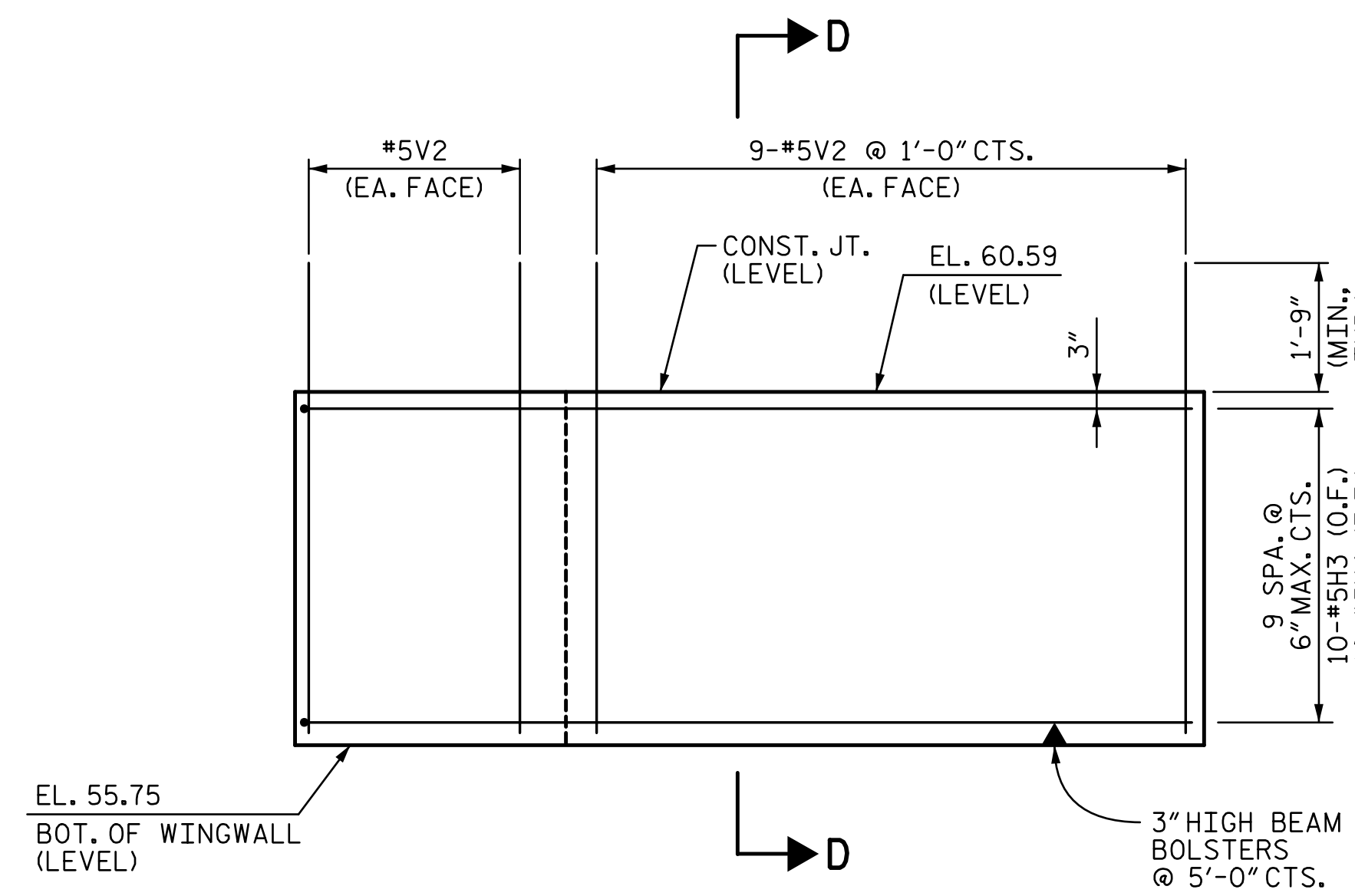
WING WALL PLAN (W4)



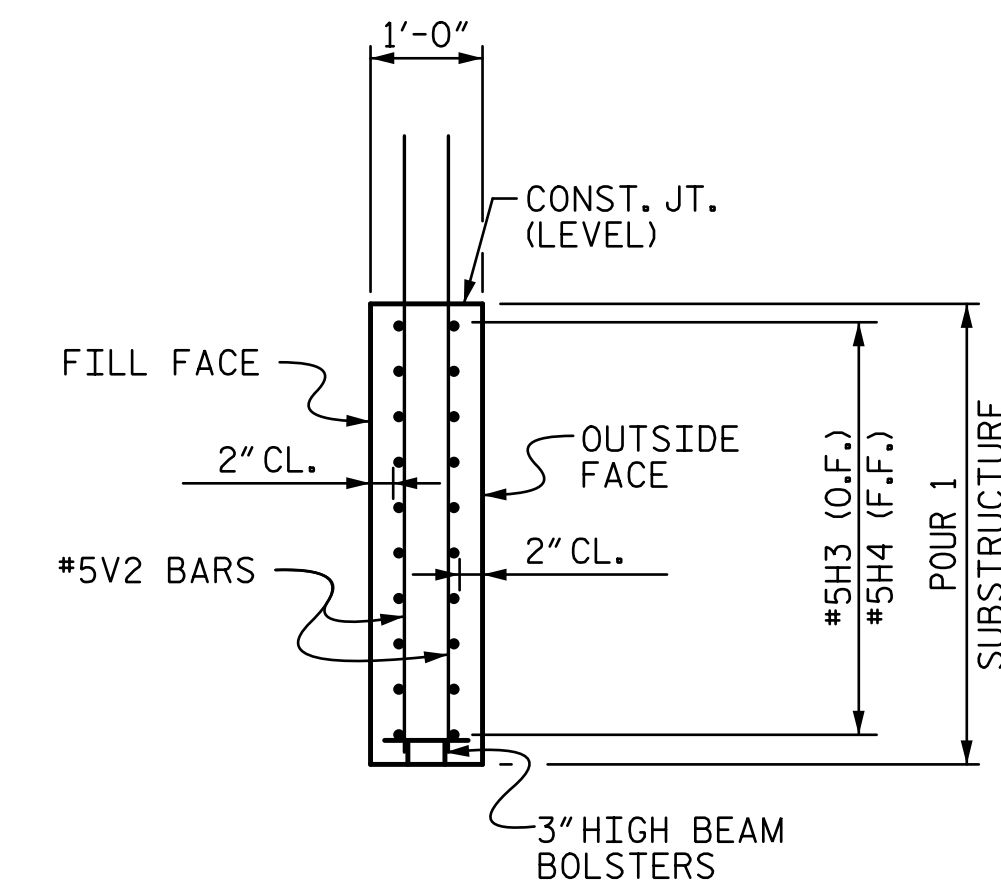
WING WALL ELEVATION (W3)



SECTION C-C



WING WALL ELEVATION (W4)

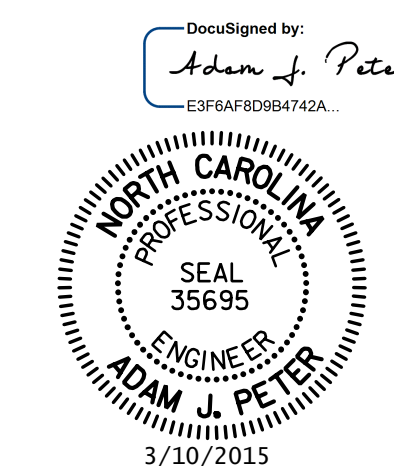


SECTION D-D

PROJECT NO. R-2514D
JONES & CRAVEN COUNTY
 STATION: 428+53.58 -L-
 = 13+04.09 -Y5-

SHEET 2 OF 3

STATE OF NORTH CAROLINA
 DEPARTMENT OF TRANSPORTATION
 RALEIGH
 SUBSTRUCTURE
 END BENT 2
 (INTEGRAL)
 -LEFT LANE-



REVISIONS				SHEET NO.	
NO.	BY:	DATE:	NO.	BY:	DATE:
1			3		
2			4		

TOTAL SHEETS: 24

STV / Ralph Whitehead Associates, Inc.
 900 West Trade Street, Suite 715
 Charlotte, NC 28202
 NC License Number F-0991

R:\Site 5\ustaf\Finals\Site 5 LL\409_021_R2514D_SML_EB202.dgn
 3/5/2015 5:31:10 PM

DRAWN BY: VMW DATE: 5-14
 CHECKED BY: MLO DATE: 5-14
 DESIGN ENGINEER OF RECORD: T. TOWNSEND DATE: 6-14