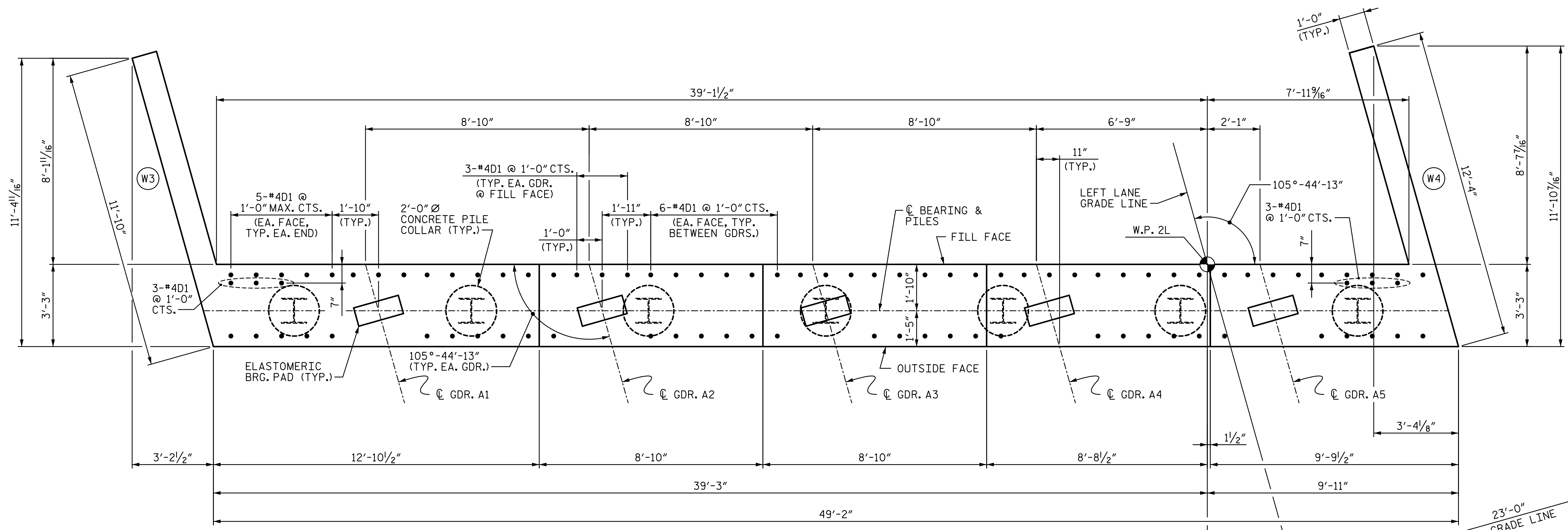
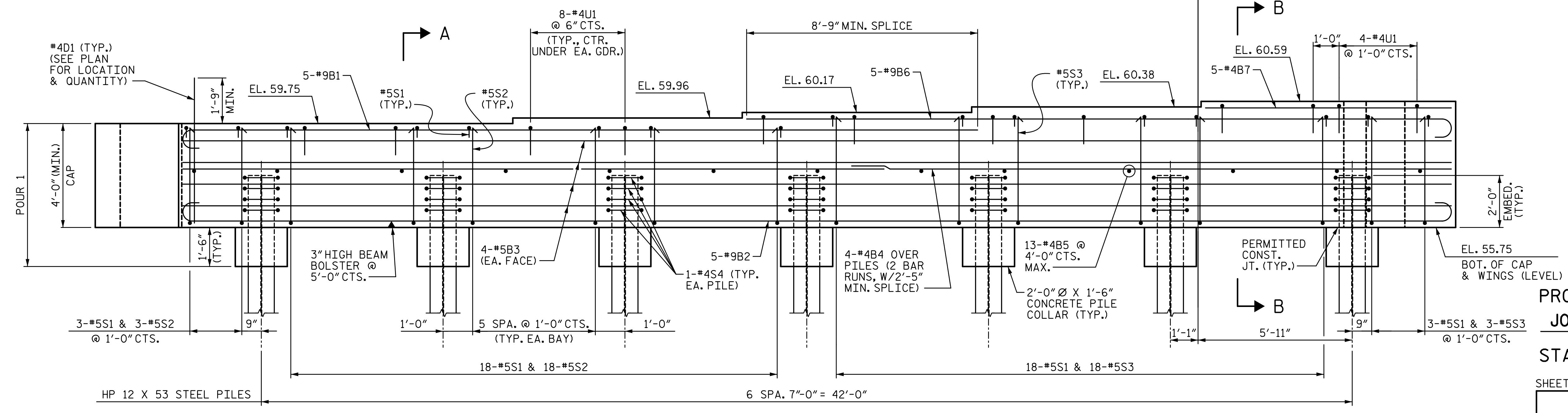


NOTES:
SEE SHEET 3 OF 3 FOR NOTES.
SEE SHEET 3 OF 3 FOR SECTIONS
A-A AND B-B.



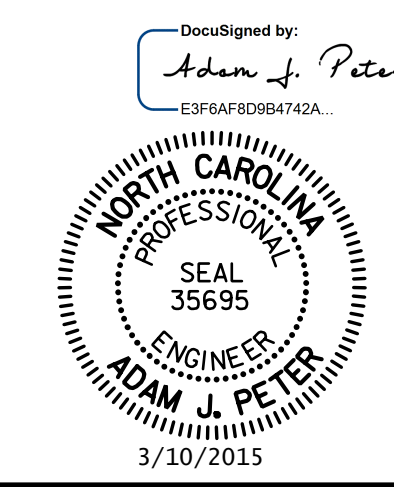
PLAN



ELEVATION

(LOOKING IN THE DIRECTION OF STATIONING)
(WING DETAILS NOT SHOWN FOR CLARILTY)

PROJECT NO. R-2514D
JONES & CRAVEN COUNTY
STATION: 428+53.58 -L-
= 13+04.09 -Y5-
SHEET 1 OF 3



STATE OF NORTH CAROLINA
DEPARTMENT OF TRANSPORTATION
RALEIGH
SUBSTRUCTURE
END BENT 2
(INTEGRAL)
-LEFT LANE-

| REVISIONS | | | | SHEET NO. | |
|-----------|-----|-------|-----|-----------|-------|
| NO. | BY: | DATE: | NO. | BY: | DATE: |
| 1 | | | 3 | | |
| 2 | | | 4 | | |

TOTAL SHEETS: 24

DRAWN BY: VMW DATE: 5-14
CHECKED BY: MLO DATE: 5-14
DESIGN ENGINEER OF RECORD: T. TOWNSEND DATE: 6-14

STV / Ralph Whitehead Associates, Inc.
900 West Trade Street, Suite 715
Charlotte, NC 28202
NC License Number F-0991

R:\Site 5\ustfa\Finals\Site 5 LL\409_020_R2514D_SMU_EB201.dgn
3/5/2015 5:31:10 PM