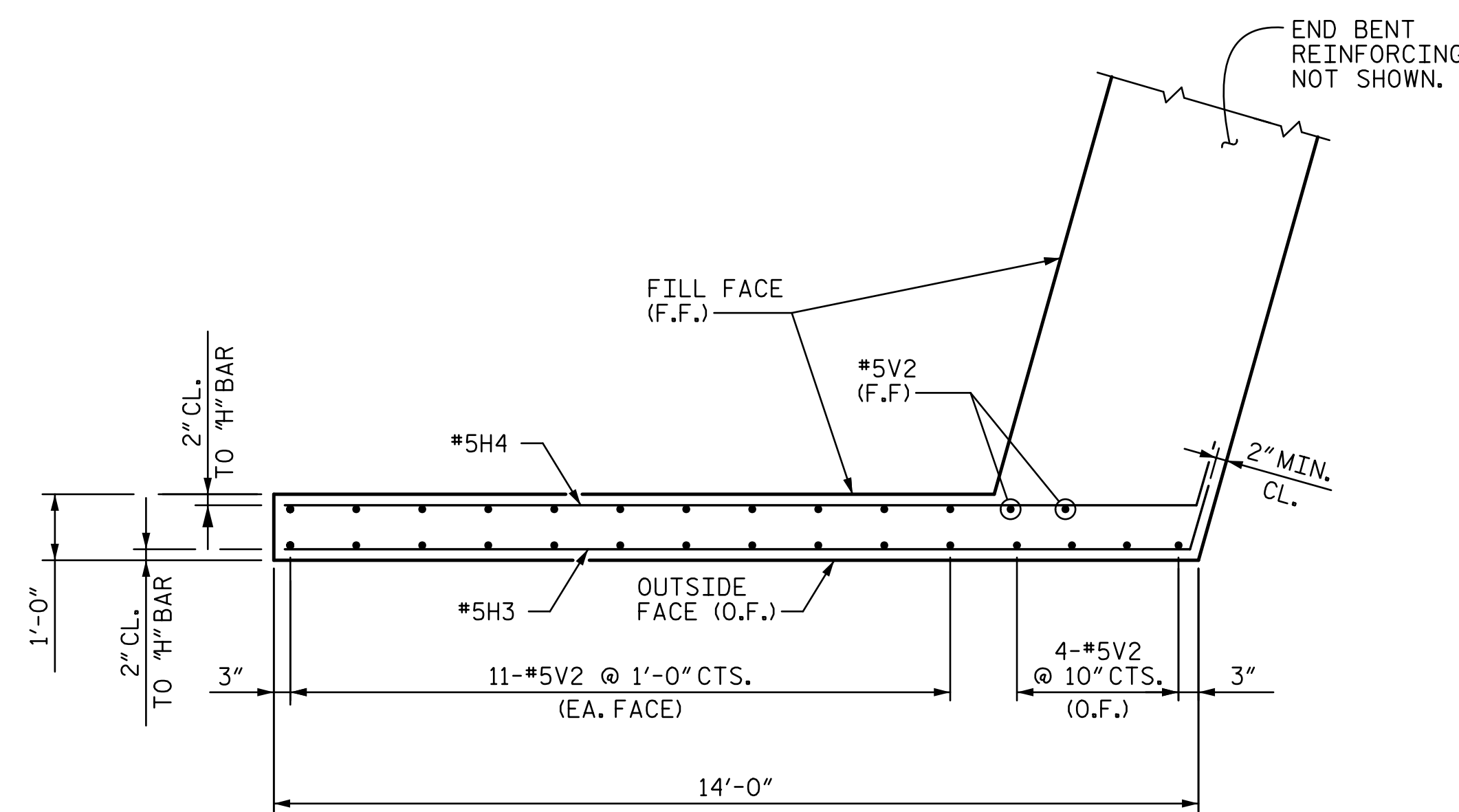
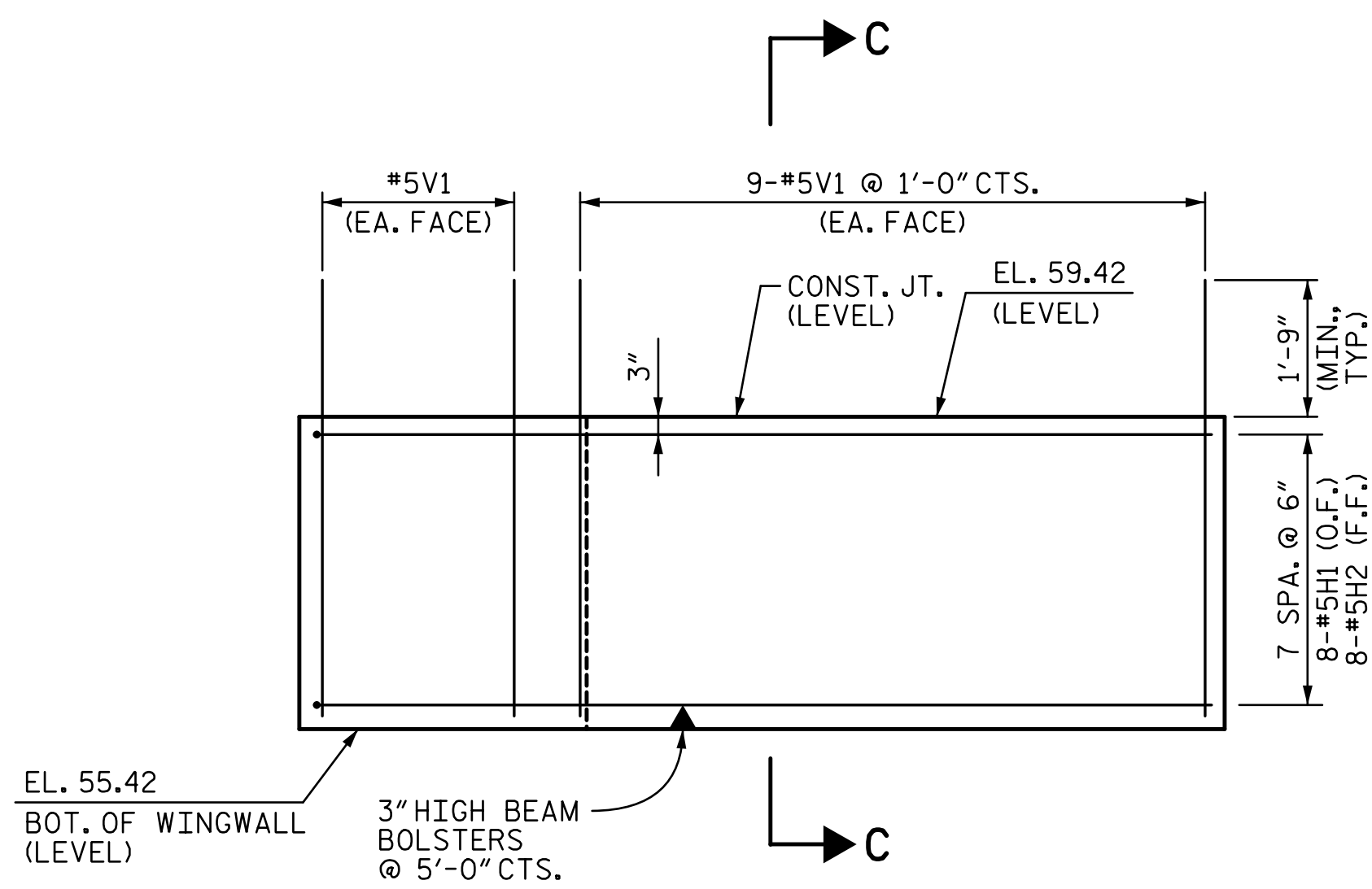


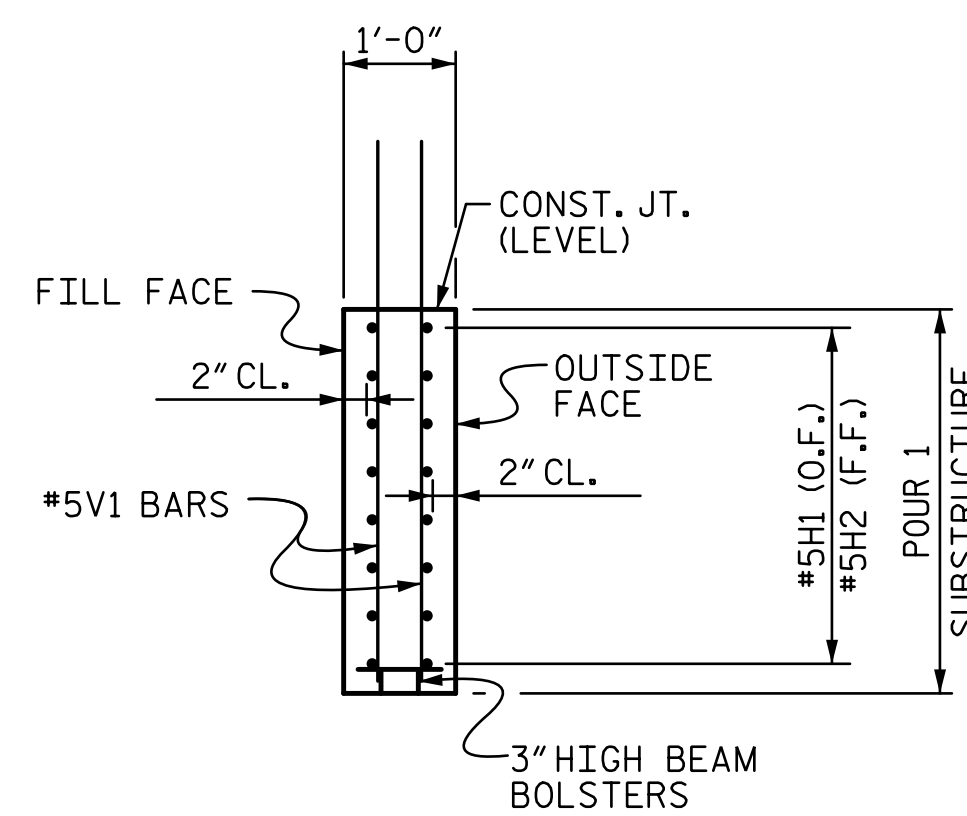
WING WALL PLAN (W1)



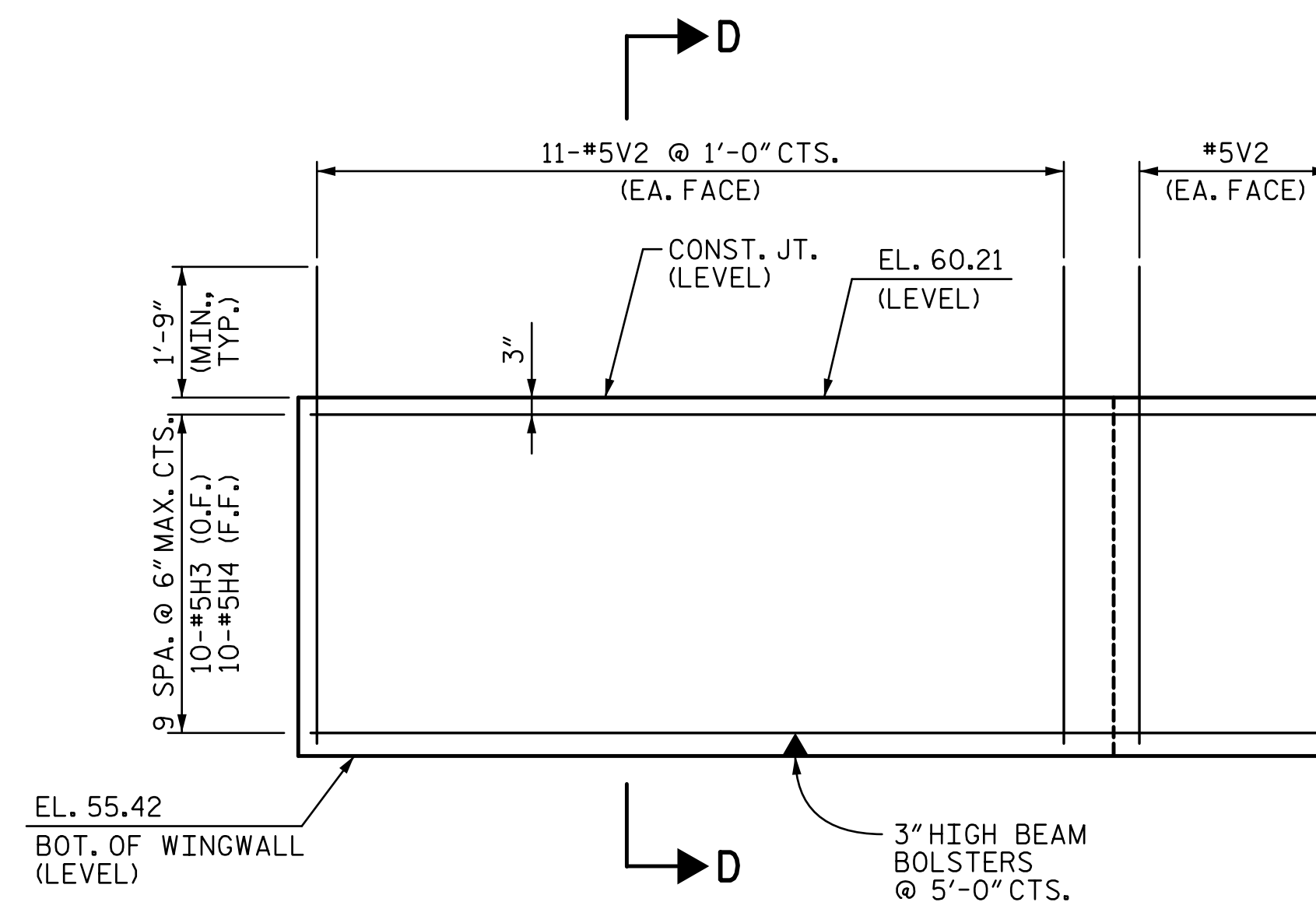
WING WALL PLAN (W2)



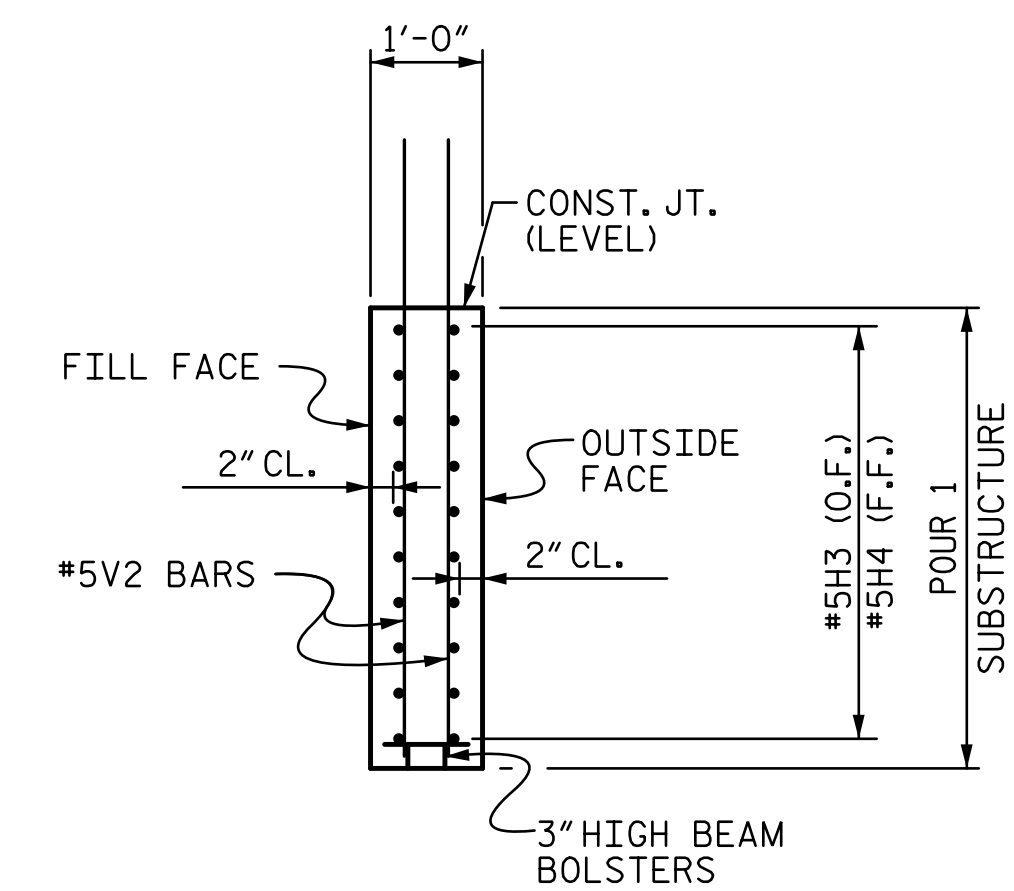
WING WALL ELEVATION (W1)



SECTION C-C



WING WALL ELEVATION (W2)



SECTION D-D

PROJECT NO. R-2514D
JONES & CRAVEN COUNTY
 STATION: 428+53.58 -L-
 = 13+04.09 -Y5-

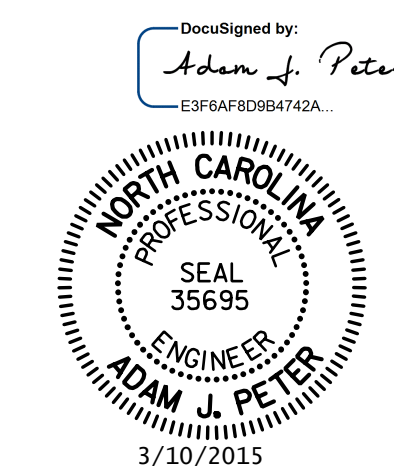
SHEET 2 OF 3

STATE OF NORTH CAROLINA
 DEPARTMENT OF TRANSPORTATION
 RALEIGH

SUBSTRUCTURE

END BENT 1
 (INTEGRAL)

-LEFT LANE-



REVISIONS				SHEET NO.
NO.	BY:	DATE:	NO.	DATE:
1			3	
2			4	

TOTAL SHEETS: 24

STV / Ralph Whitehead Associates, Inc.
 900 West Trade Street, Suite 715
 Charlotte, NC 28202
 NC License Number F-0991

3/5/2015 5:13:09 PM R:\Site 5\usr\finals\Site 5 LL\409_08_R2514D_SML\EB102.dgn

DRAWN BY: VMW DATE: 5-14 DESIGN ENGINEER OF RECORD: T. TOWNSEND DATE: 6-14
 CHECKED BY: MLO DATE: 5-14