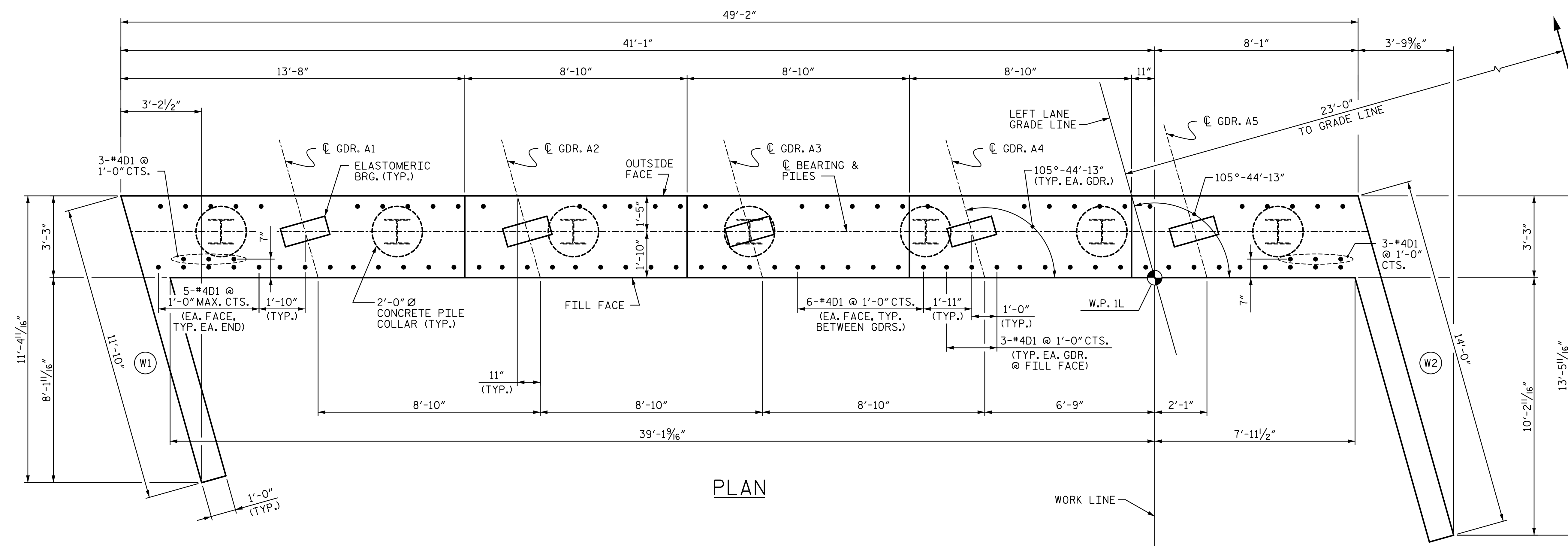
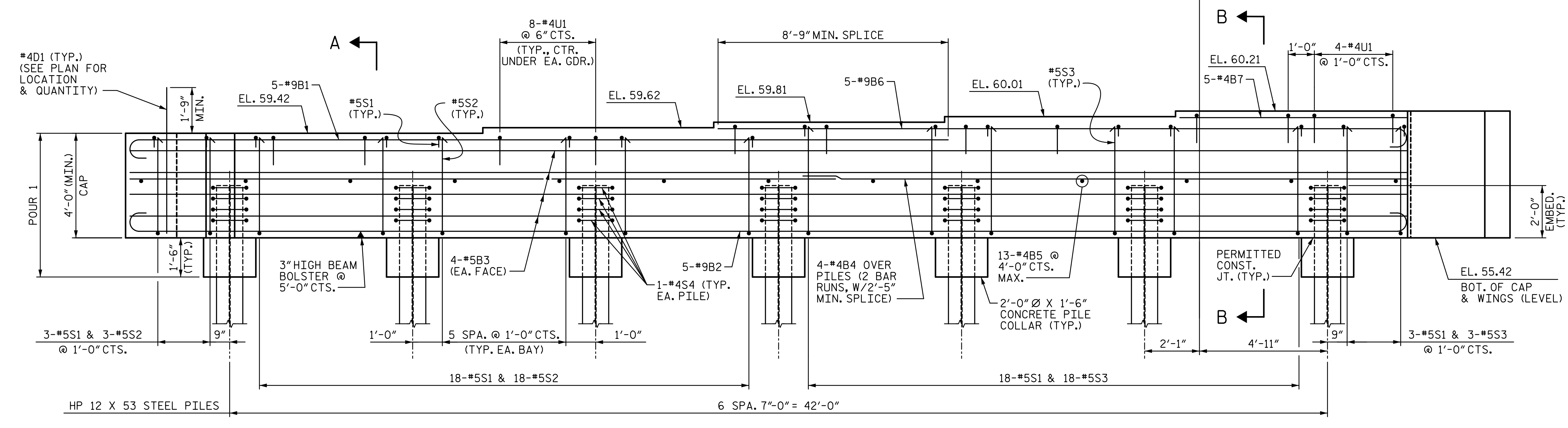


NOTES:
SEE SHEET 3 OF 3 FOR NOTES.
SEE SHEET 3 OF 3 FOR SECTIONS A-A AND B-B.



PLAN

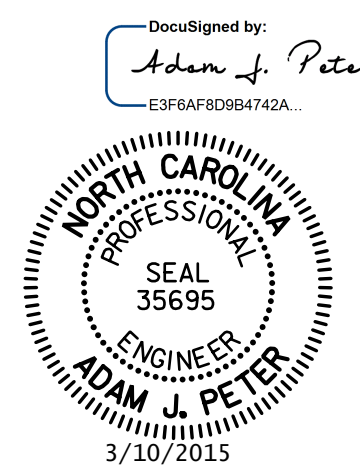


ELEVATION

(LOOKING IN THE DIRECTION OF STATIONING)
(WING DETAILS NOT SHOWN FOR CLARITY)

PROJECT NO. **R-2514D**
JONES & CRAVEN COUNTY
STATION: **428+53.58 -L-**
= **13+04.09 -Y5-**

SHEET 1 OF 3
STATE OF NORTH CAROLINA
DEPARTMENT OF TRANSPORTATION
RALEIGH
SUBSTRUCTURE
END BENT 1
(INTEGRAL)
-LEFT LANE-



REVISIONS				SHEET NO.	
NO.	BY:	DATE:	NO.	BY:	DATE:
1			3		
2			4		

TOTAL SHEETS: 24

STV / Ralph Whitehead Associates, Inc.
900 West Trade Street, Suite 715
Charlotte, NC 28202
NC License Number F-0991

R:\Site 5\usta\Finals\Site 5 LL\409_01T_R2514D_SMLL\EB101.dgn 5/13/2015 5:13:08 PM

DRAWN BY: **VMW** DATE: **5-14**
CHECKED BY: **MLO** DATE: **5-14**
DESIGN ENGINEER OF RECORD: **T. TOWNSEND** DATE: **6-14**