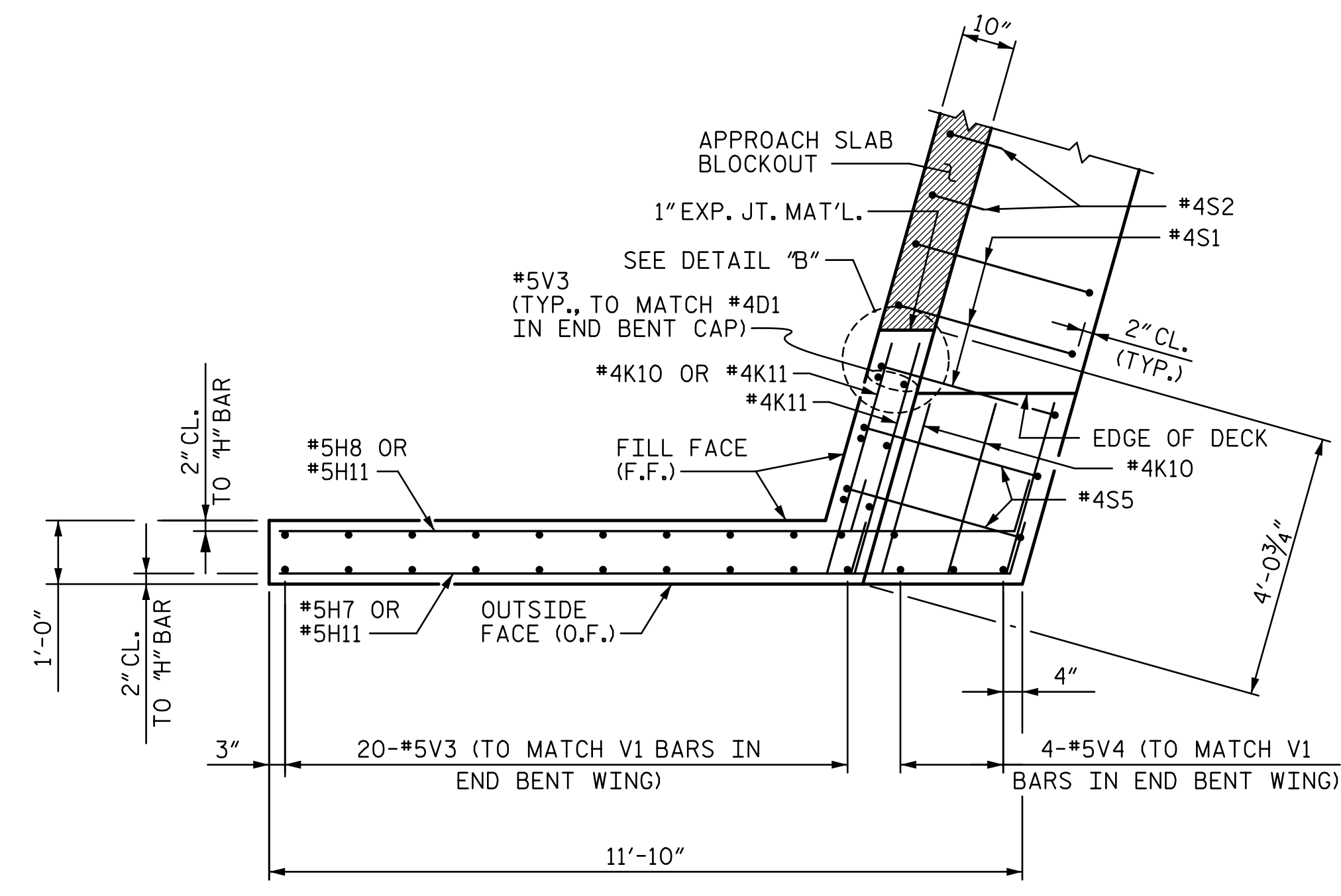
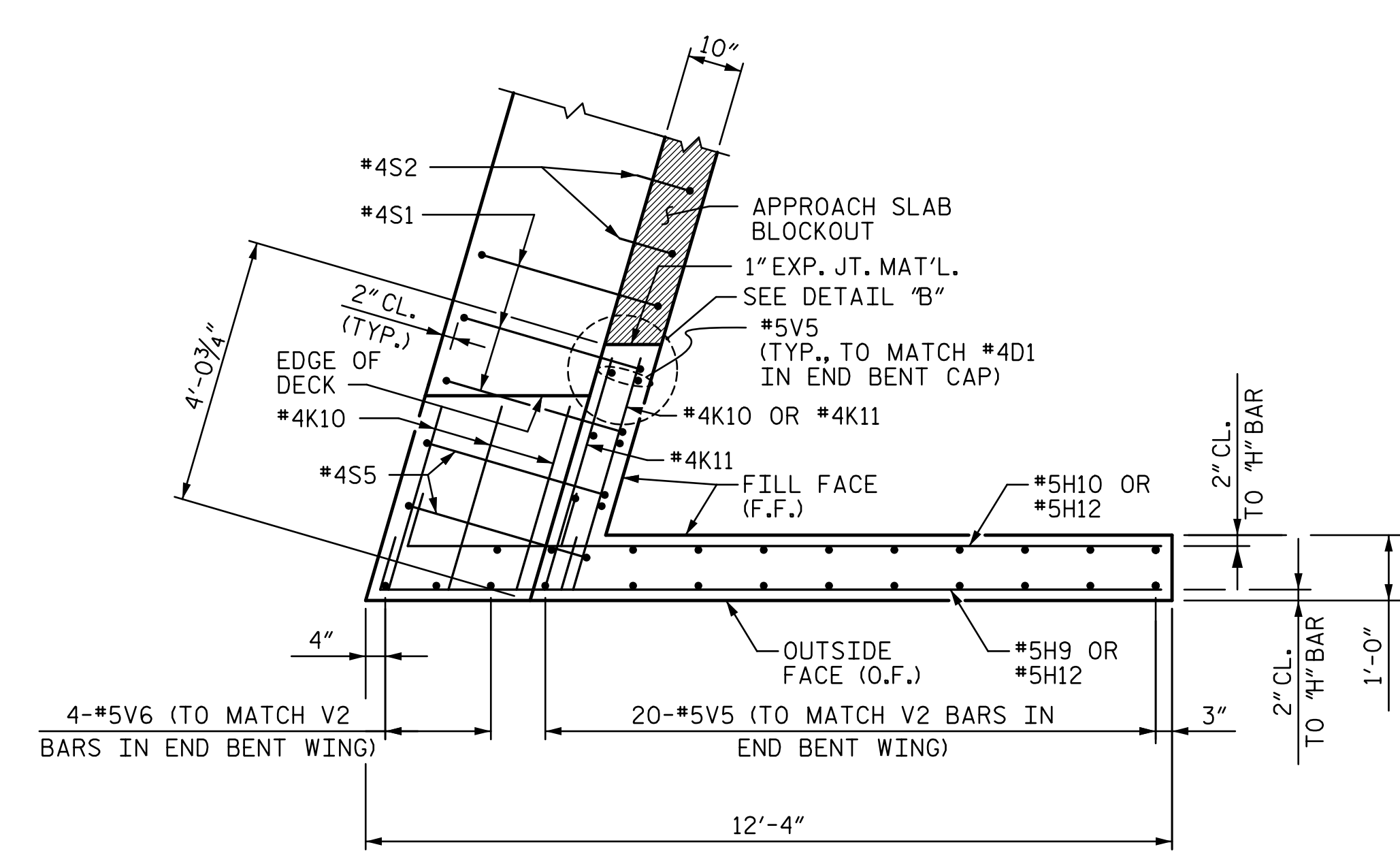


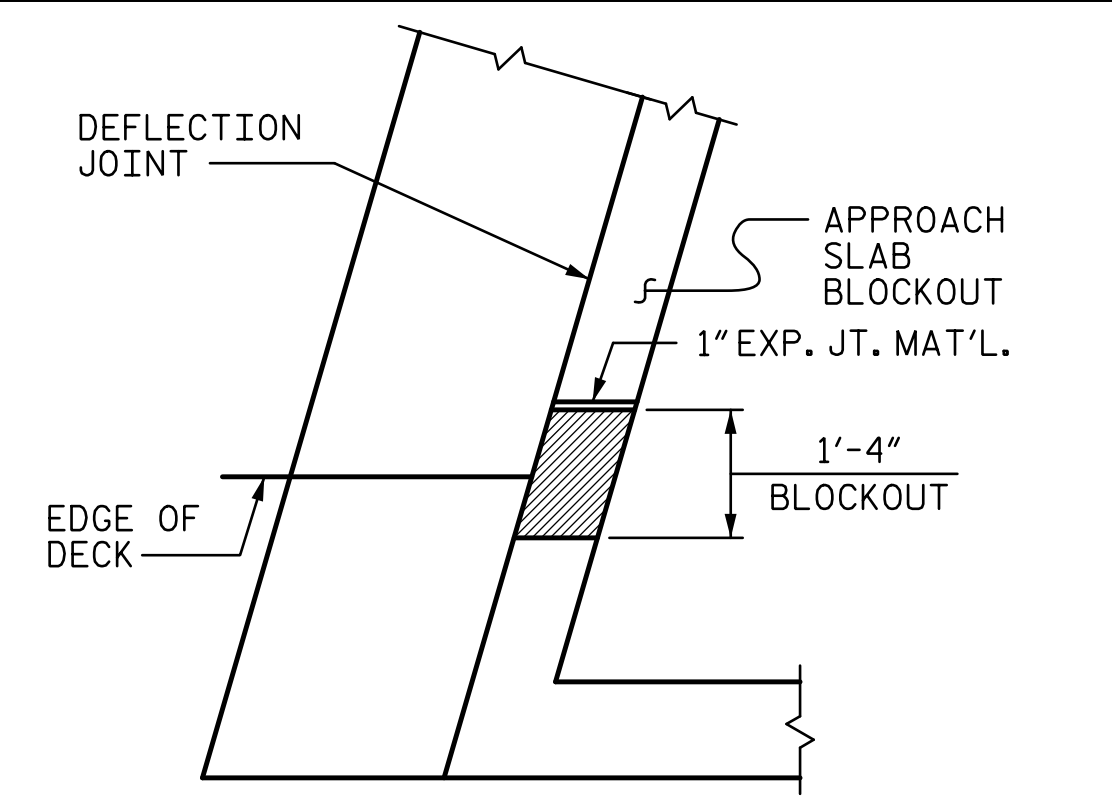
R:\Site 5\ustrafinals\Site 5 LL\409\_009\_R2514D\_SMU\_P05002.dgn 3/5/2015 5:13:05 PM



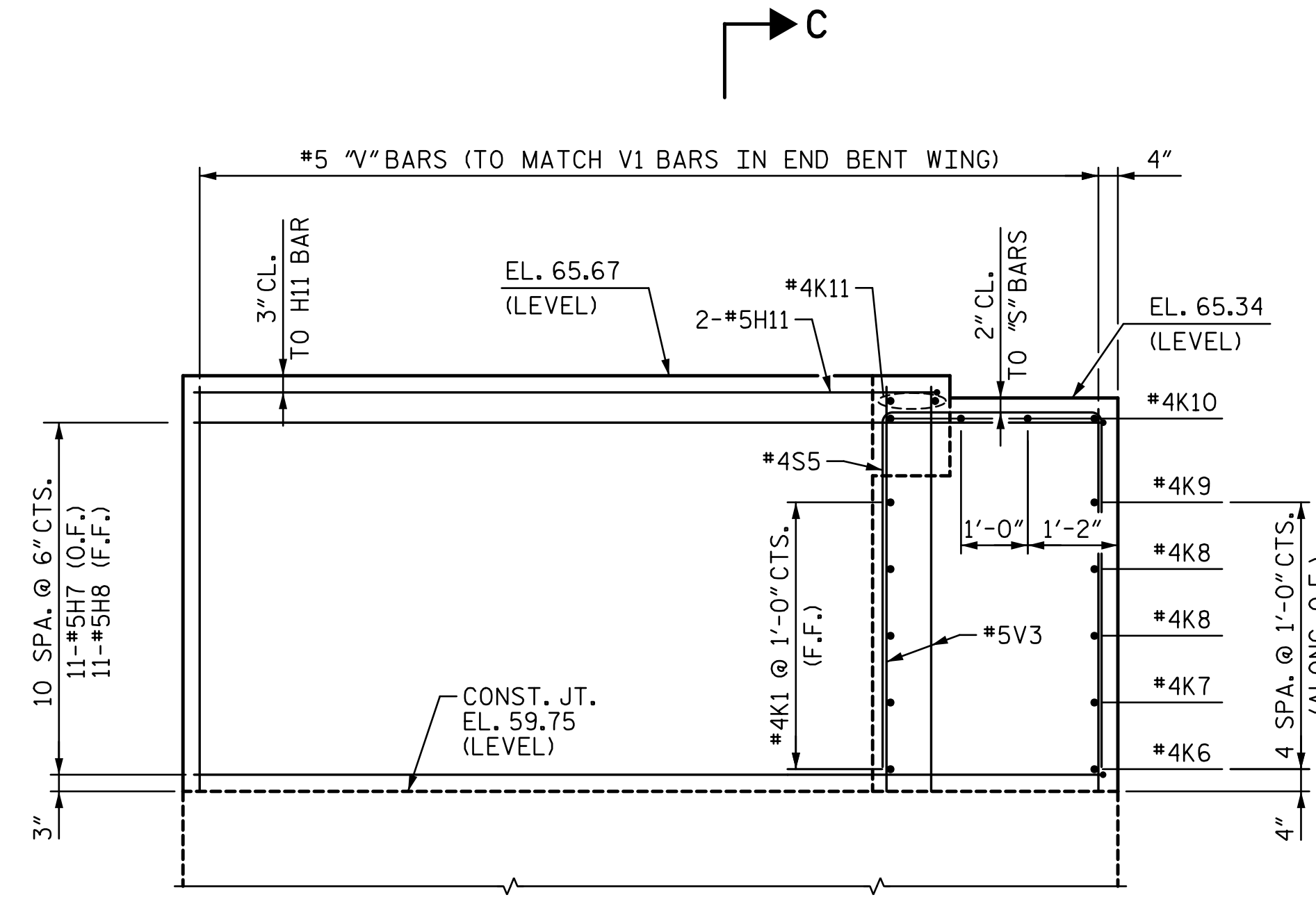
WING WALL PLAN (W3)



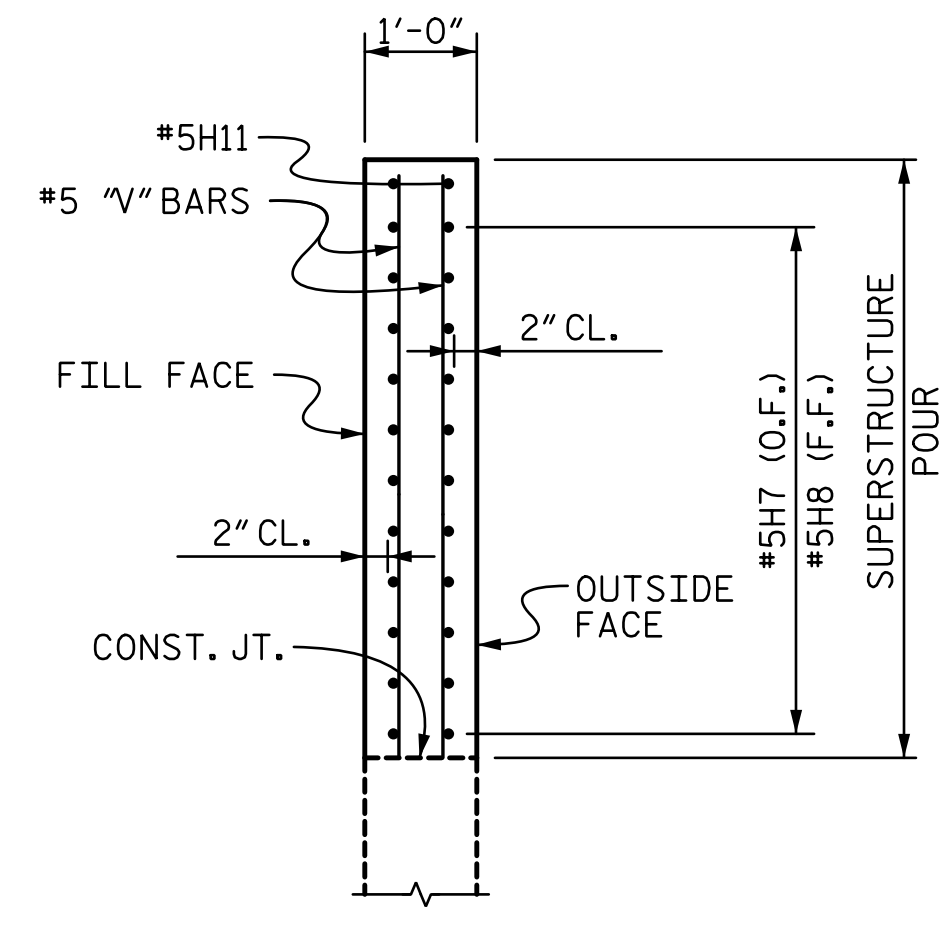
WING WALL PLAN (W4)



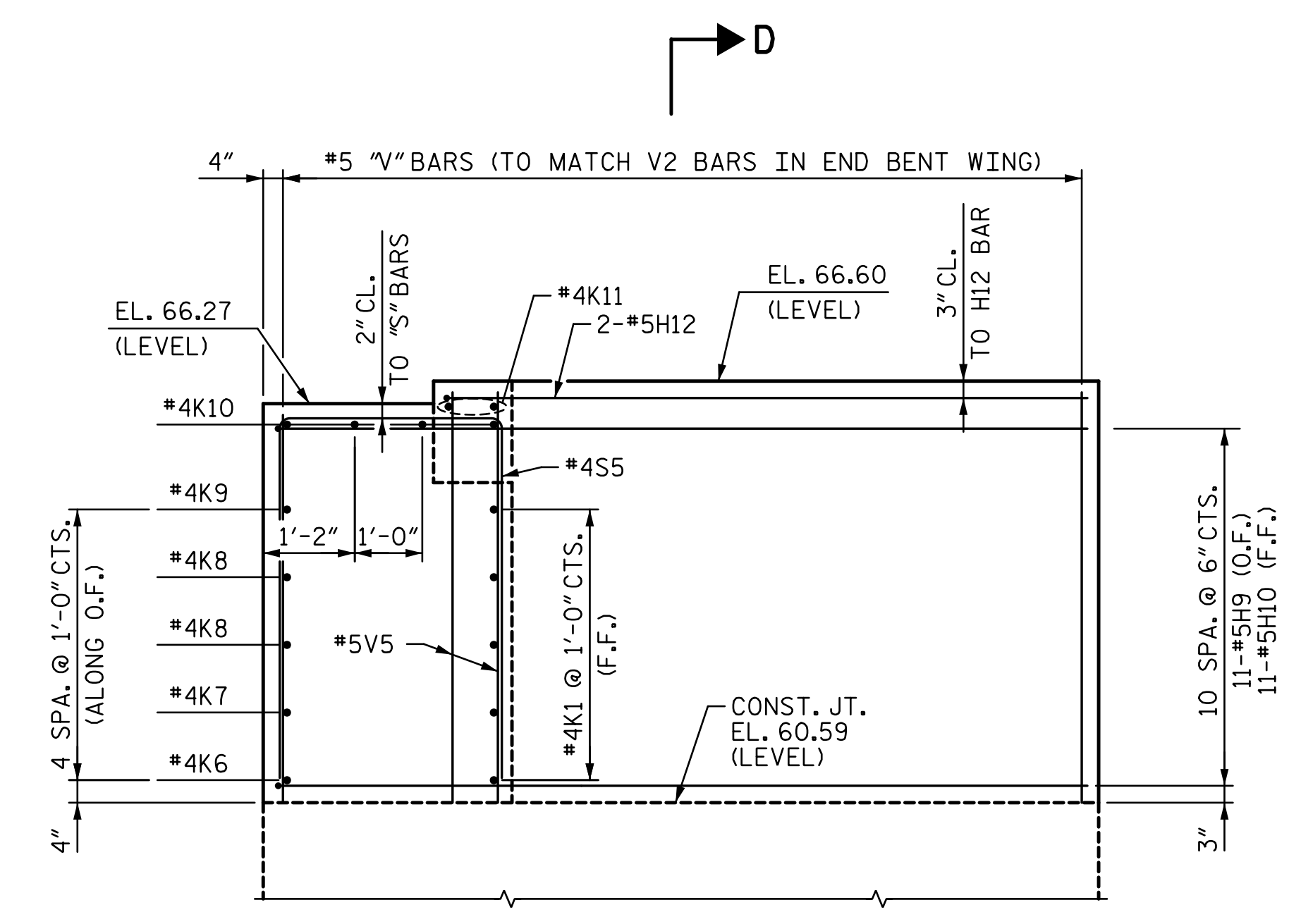
ELEVATION  
DETAIL "B"  
(WINGWALL (W4) SHOWN, WINGWALL (W3) SIMILAR.)  
THE CONCRETE IN THE SHADED AREA OF THE WING SHALL BE POURED AFTER THE DEFLECTION JOINT HAS BEEN SAWED AND THE BARRIER RAIL IS CAST IF SLIP FORMING IS USED.



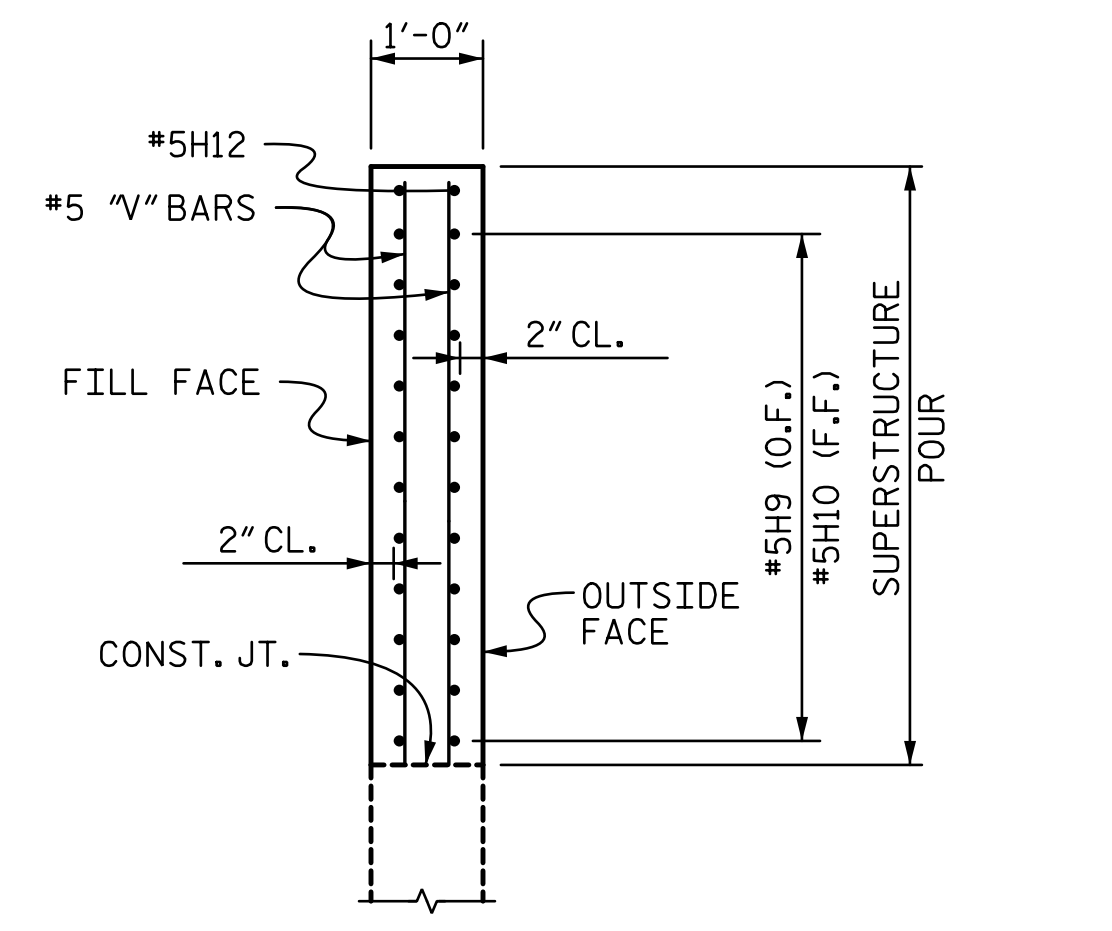
WING WALL ELEVATION (W3)



SECTION C-C

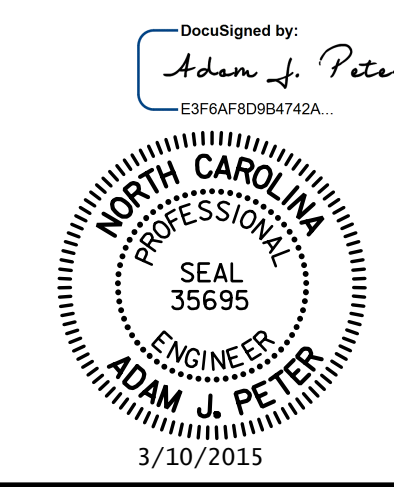


WING WALL ELEVATION (W4)



SECTION D-D

PROJECT NO. R-2514D  
JONES & CRAVEN COUNTY  
 STATION: 428+53.58 -L-  
 = 13+04.09 -Y5-  
 SHEET 2 OF 2



STATE OF NORTH CAROLINA  
 DEPARTMENT OF TRANSPORTATION  
 RALEIGH  
 SUPERSTRUCTURE  
 PLAN OF SPANS  
 DETAILS  
 -LEFT LANE-

DRAWN BY: <b>VMW</b>	DATE: <b>5-14</b>	DESIGN ENGINEER OF RECORD: <b>T. TOWNSEND</b>	DATE: <b>6-14</b>
CHECKED BY: <b>MLO</b>	DATE: <b>5-14</b>		

**STV / Ralph Whitehead Associates, Inc.**  
 900 West Trade Street, Suite 715  
 Charlotte, NC 28202  
 NC License Number F-0991

REVISIONS				SHEET NO.
NO.	BY:	DATE:	NO.	DATE:
1			3	
2			4	

TOTAL SHEETS: 24