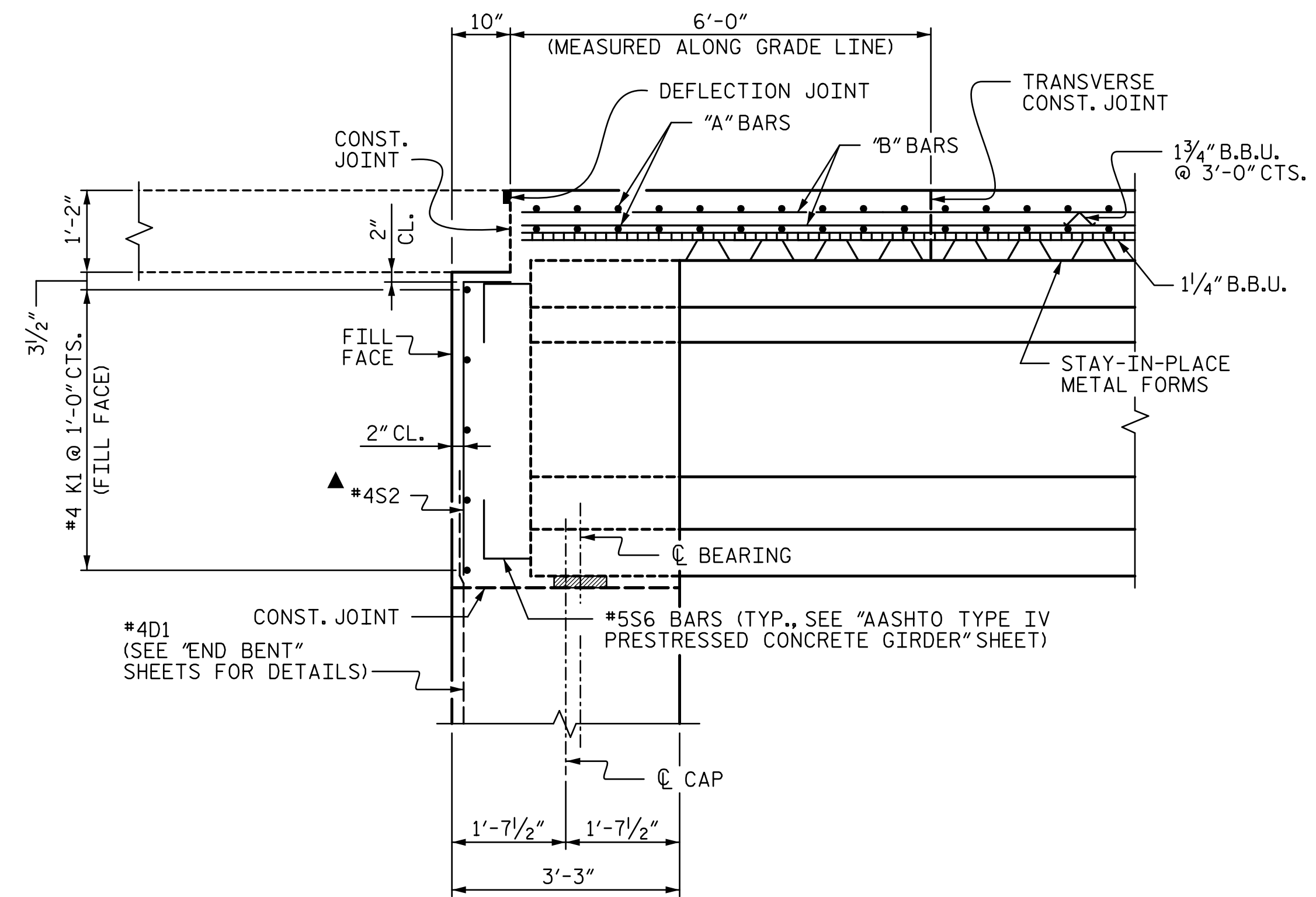
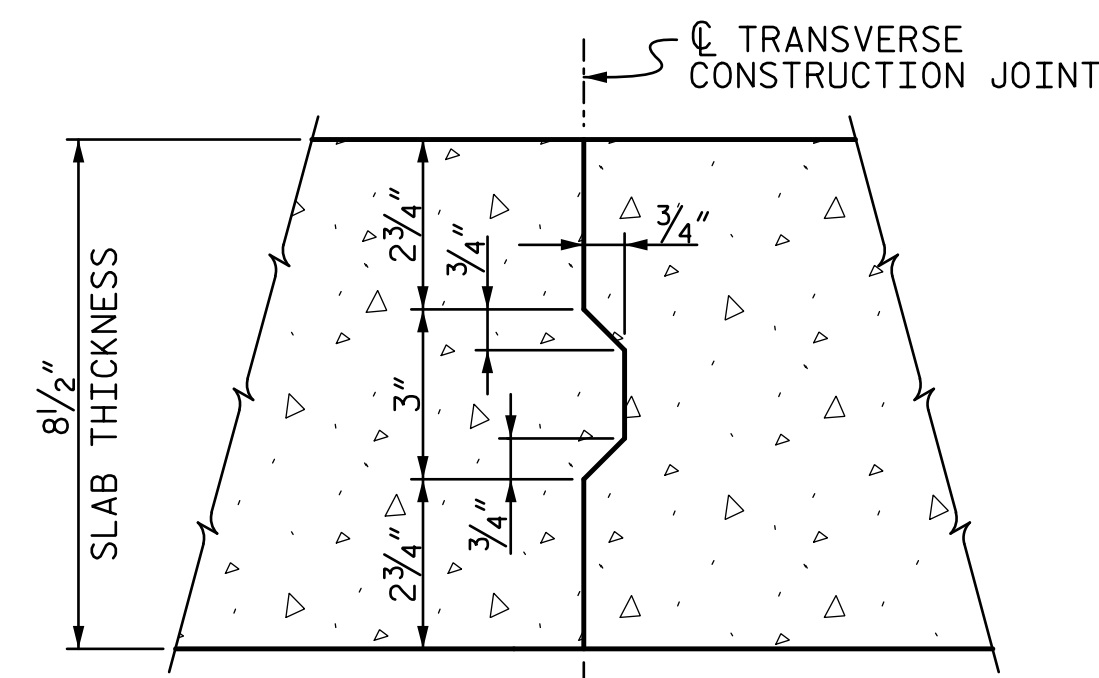


SECTION A-A



SECTION B-B

▲ HOOKS ON S2 BARS MAY BE TURNED AS NECESSARY TO CLEAR GIRDER.

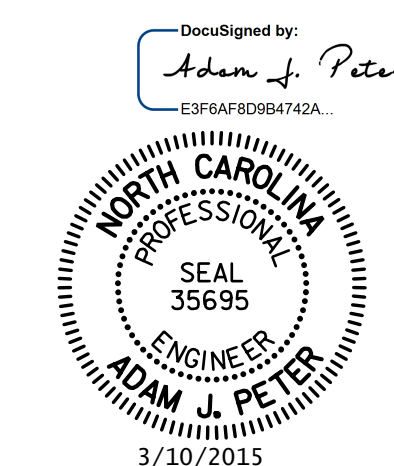


NOTE: REINFORCING STEEL IN SLAB NOT SHOWN. LONGITUDINAL REINFORCING STEEL SHALL BE CONTINUOUS THROUGH JOINT.

TRANSVERSE CONSTRUCTION JOINT IN DECK SLAB

PROJECT NO. R-2514D
JONES & CRAVEN COUNTY
 STATION: 428+53.58 -L-
 = 13+04.09 -Y5-

STATE OF NORTH CAROLINA
 DEPARTMENT OF TRANSPORTATION
 RALEIGH
 SUPERSTRUCTURE
 SUPERSTRUCTURE
 DETAILS
 -LEFT LANE-



REVISIONS				SHEET NO.	
NO.	BY:	DATE:	NO.	BY:	DATE:
1			3		
2			4		

STV / Ralph Whitehead Associates, Inc.
 900 West Trade Street, Suite 715
 Charlotte, NC 28202
 NC License Number F-0991

DRAWN BY: JWJ DATE: 5-14
 CHECKED BY: MLO DATE: 5-14
 DESIGN ENGINEER OF RECORD: A. PETER DATE: 6-14

3/5/2015 5:13:04 PM R:\Site 5\ustfa\Finals\Site 5 LL\409_006_IR2514D_SMU_SD.dgn