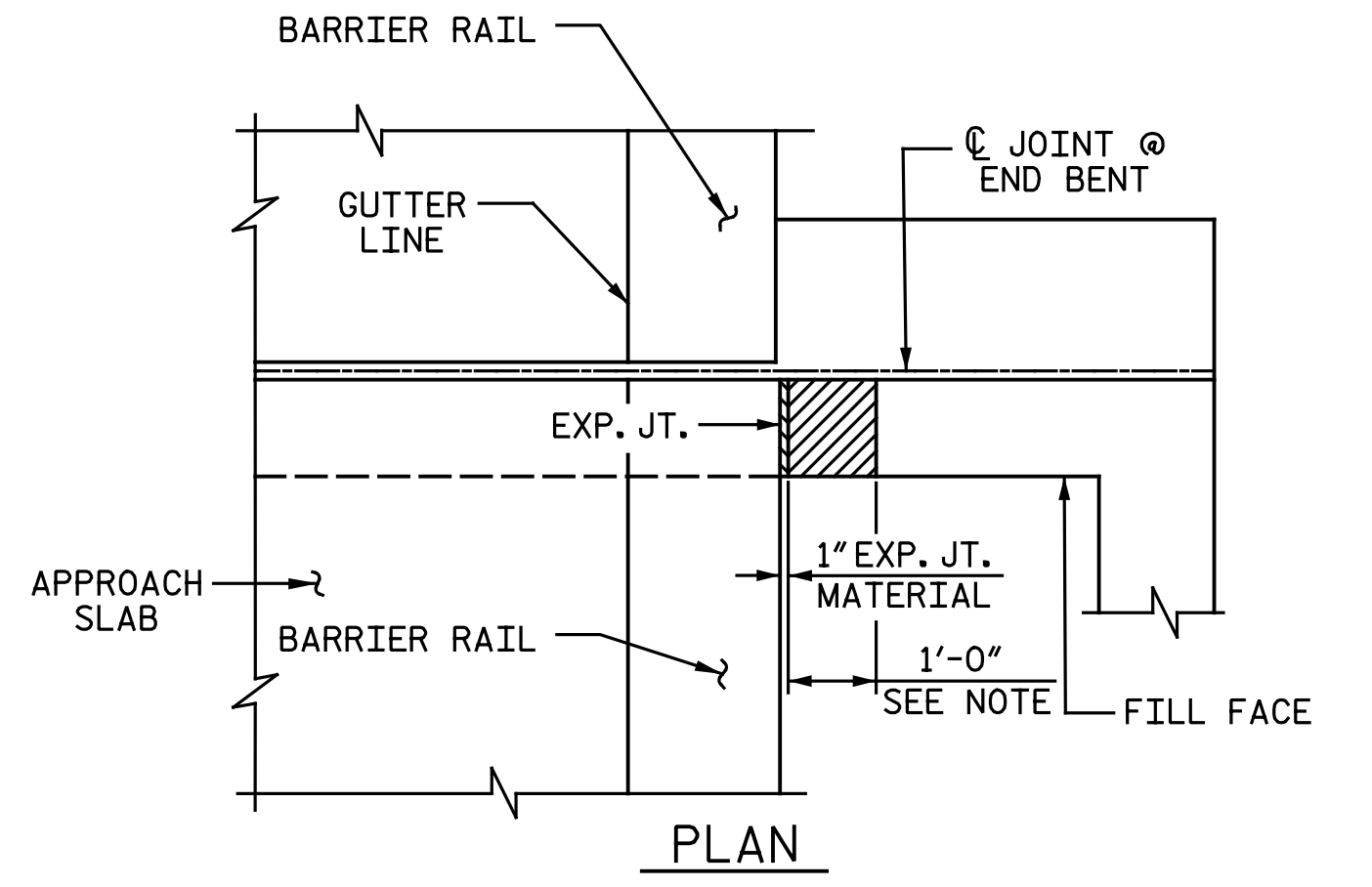
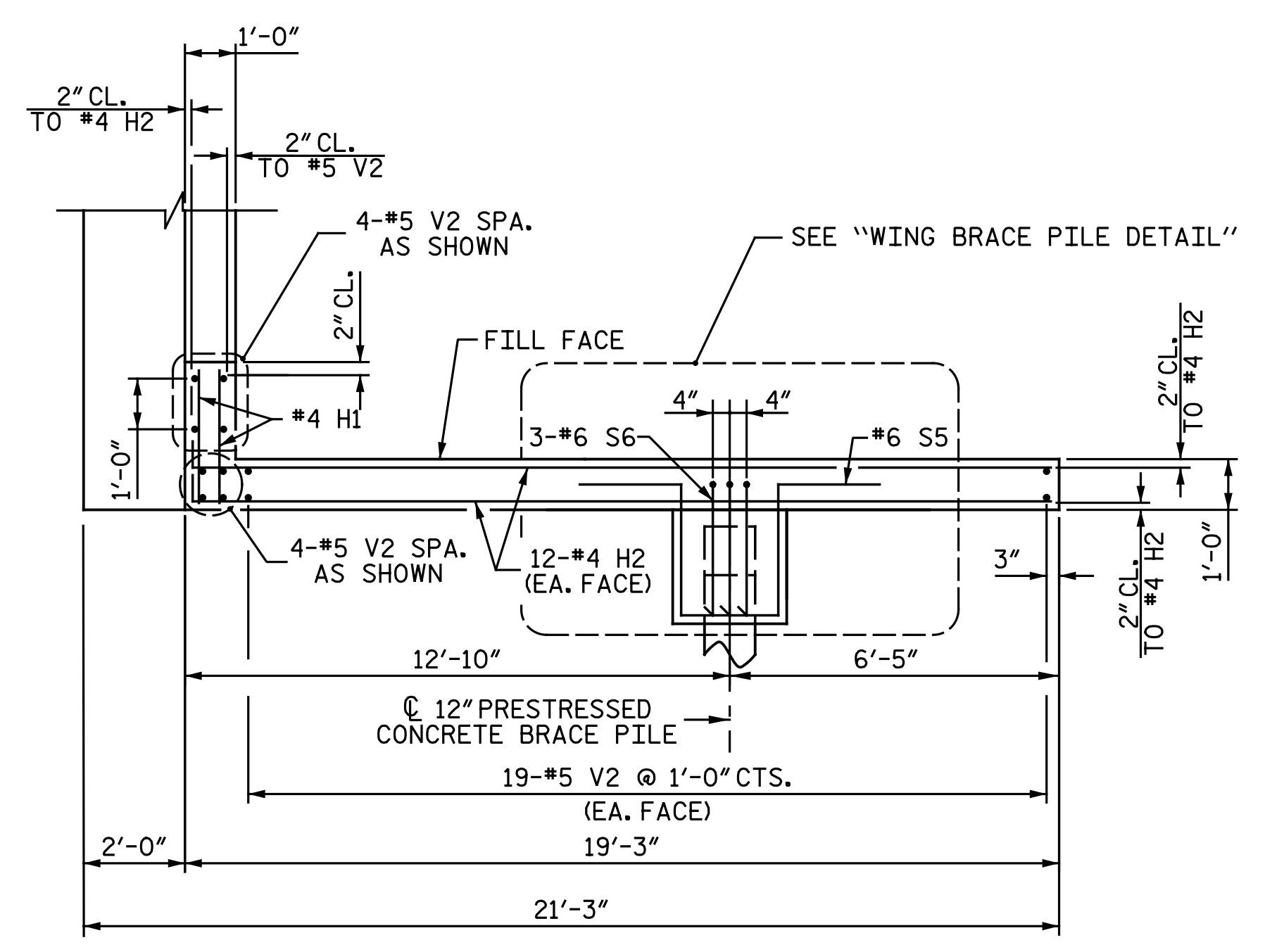


PLAN OF LEFT WING WALL (W3)

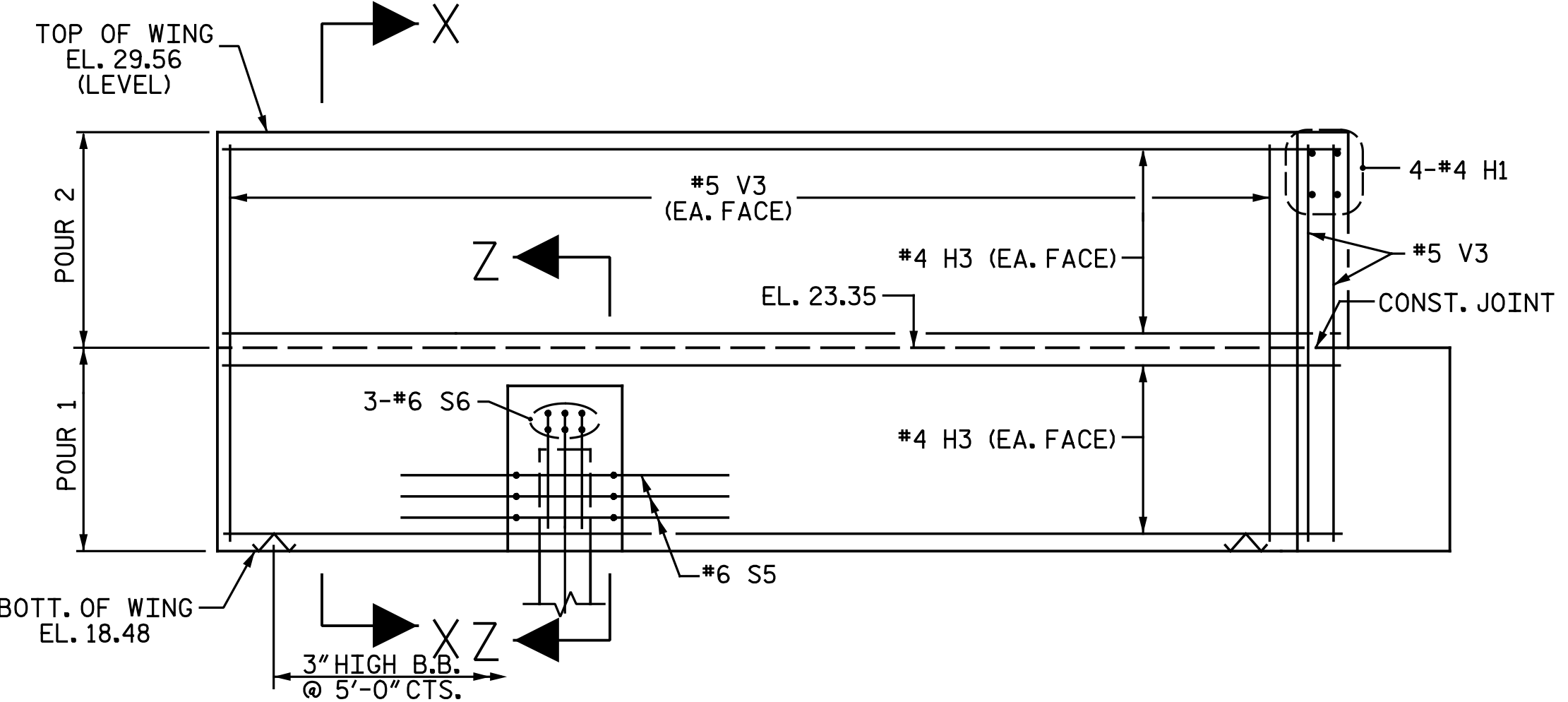


WING WALL DETAIL

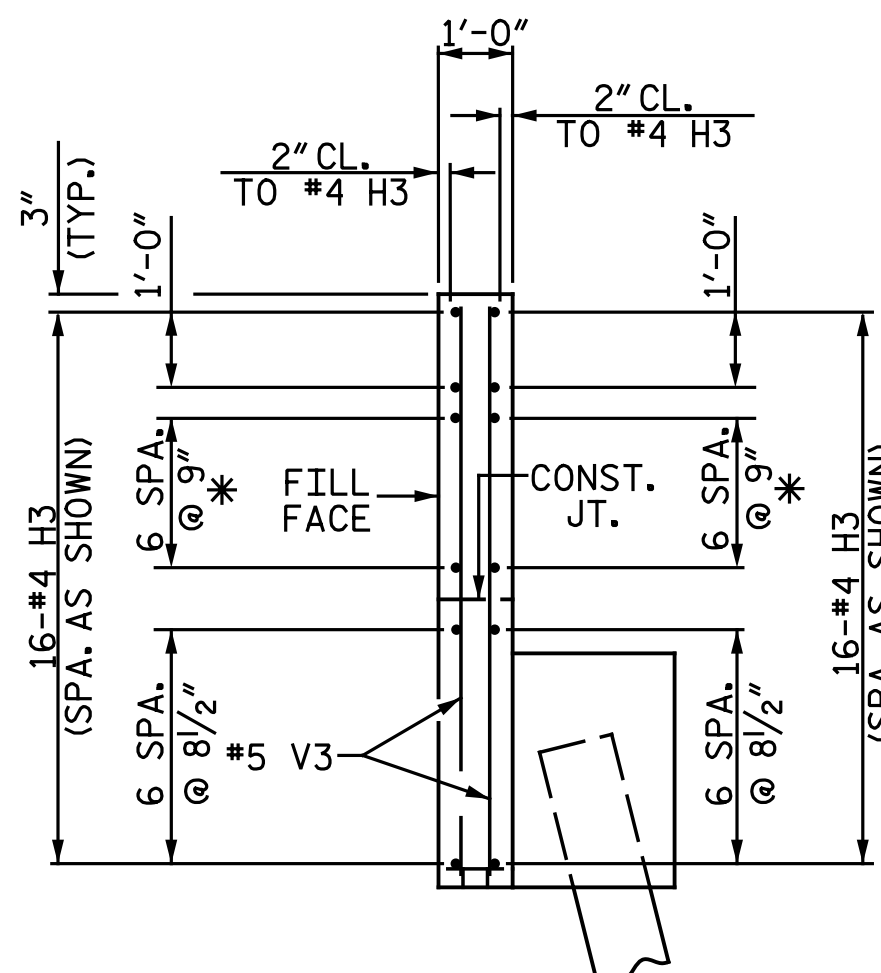
NOTE:
THE CONCRETE IN SHADED AREA OF THE WINGWALL SHALL BE POURED AFTER THE THE BARRIER RAIL IS CAST, IF SLIP FORMING IS USED.



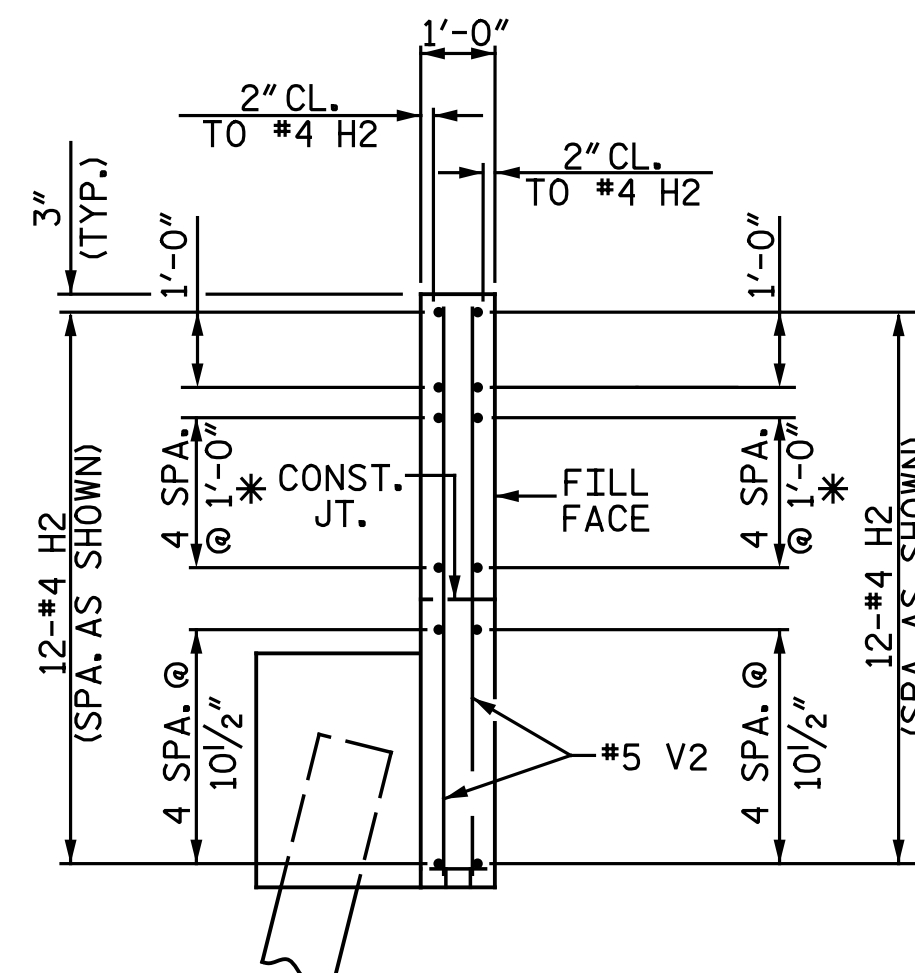
PLAN OF RIGHT WING WALL (W4)



ELEVATION OF LEFT WING WALL (W3)

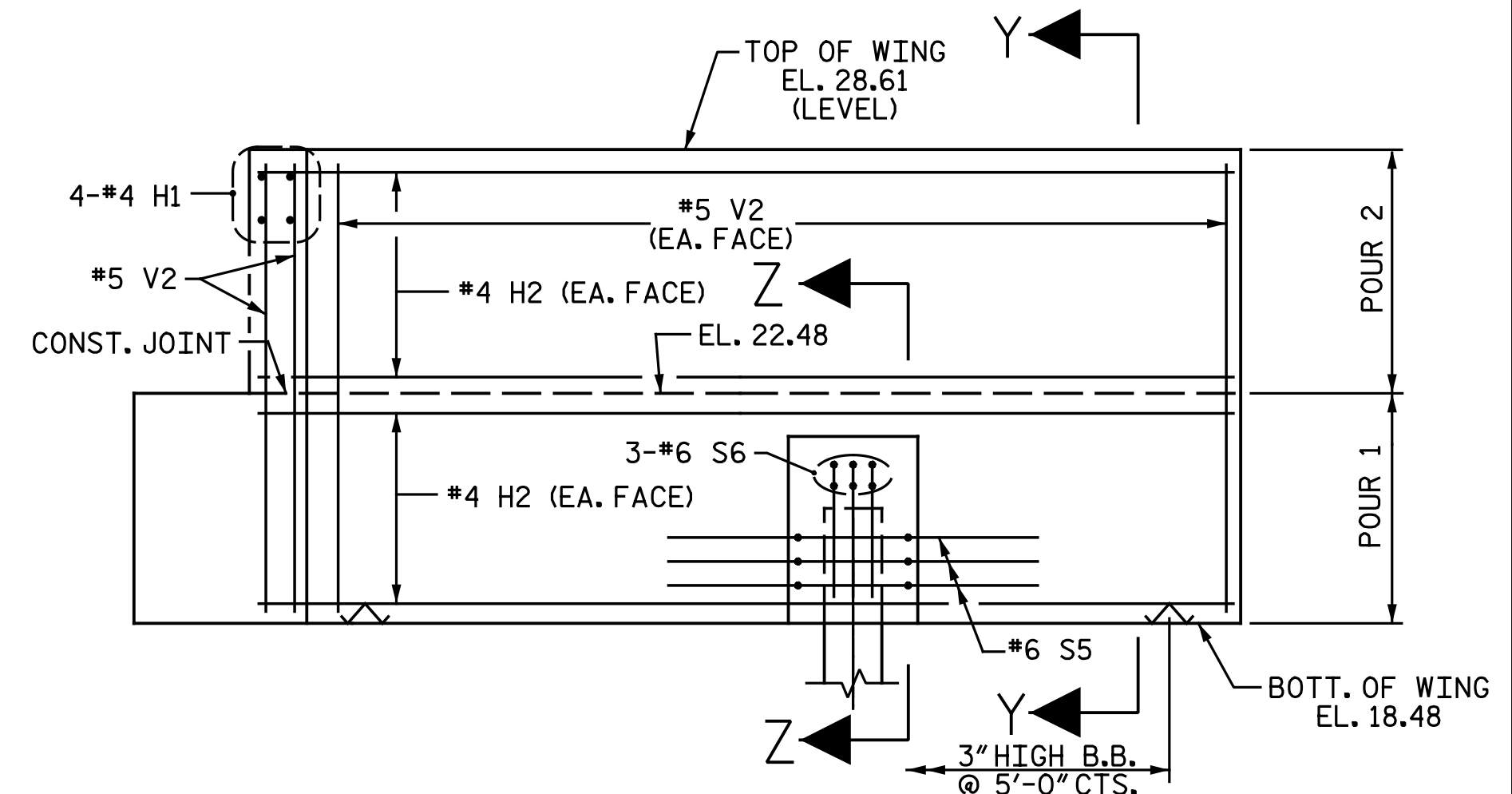


SECTION X-X

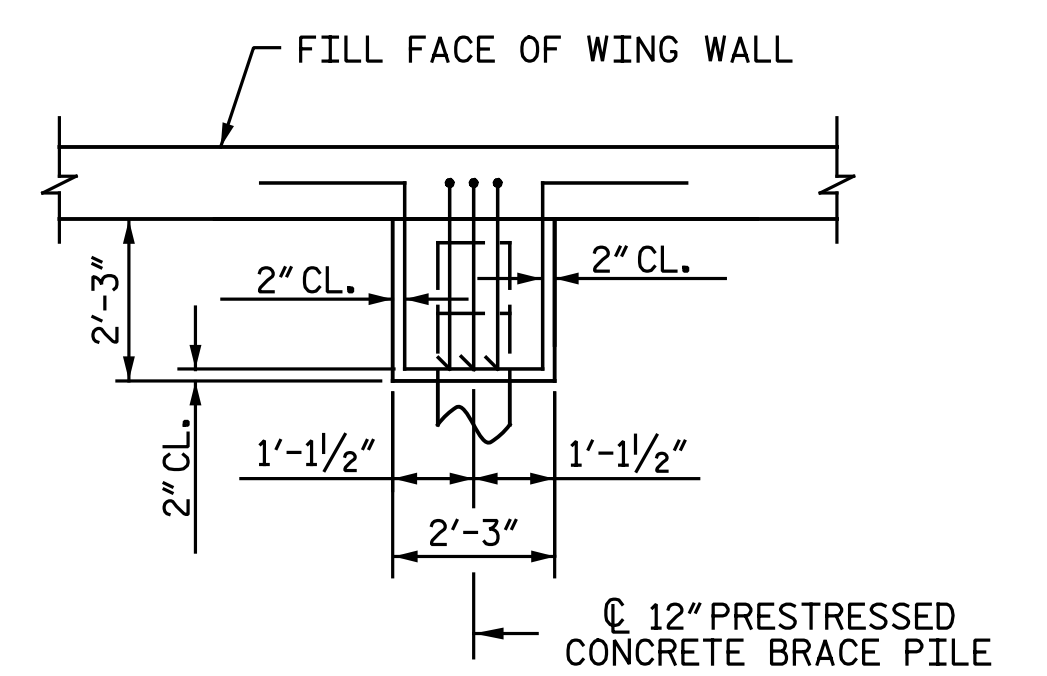


SECTION Y-Y

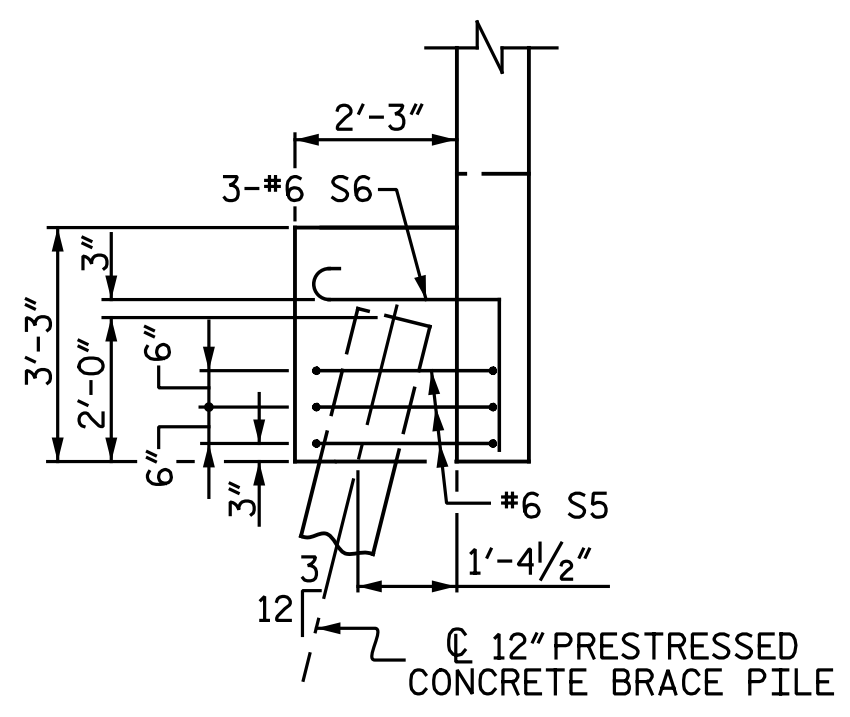
* MATCH "H" BARS TO K1 BARS IN BACKWALL



ELEVATION OF RIGHT WING WALL (W4)

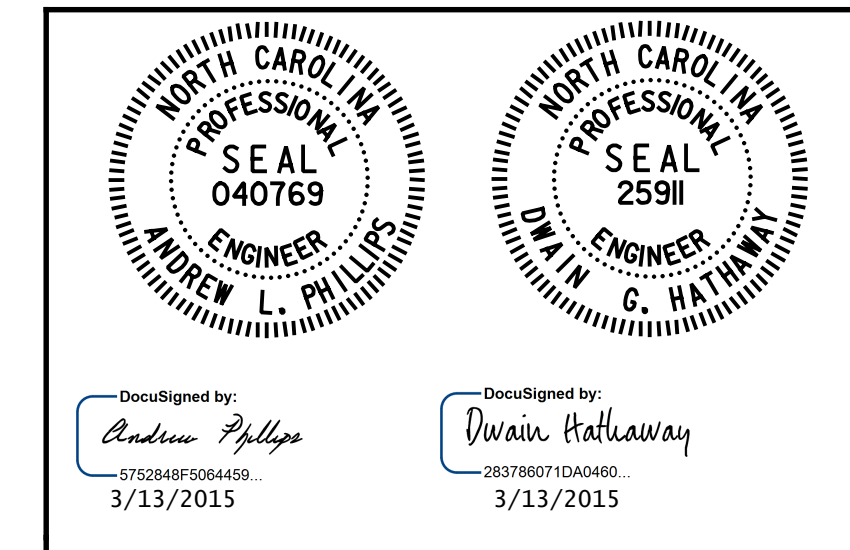


WING BRACE PILE DETAIL



SECTION Z-Z

PROJECT NO. R-2514D
JONES COUNTY
STATION: 389+47.50 -L-
SHEET 2 OF 3



STATE OF NORTH CAROLINA
DEPARTMENT OF TRANSPORTATION
RALEIGH
SUBSTRUCTURE
END BENT 2
WING WALL DETAILS
RIGHT LANE

REVISIONS						SHEET NO.	
NO.	BY:	DATE:	NO.	BY:	DATE:	S08-61	
1			3			TOTAL SHEETS	
2			4			68	



Michael Baker Engineering
8000 Regency Parkway, Suite 600
Cary, North Carolina 27516
NC License No.: F-1084

nbspeaks 4/15/2015 4:15:07 PM
 File Name: Y:\P\Projects\NCDOT\R-2514D\Site 4\Drawings\Right\Final\408.061.R2514D_SML_EB2.02.dgn

DRAWN BY: N. B. SPEAKS DATE: 3-18-14
CHECKED BY: A. M. HOUSTON DATE: 3-18-14