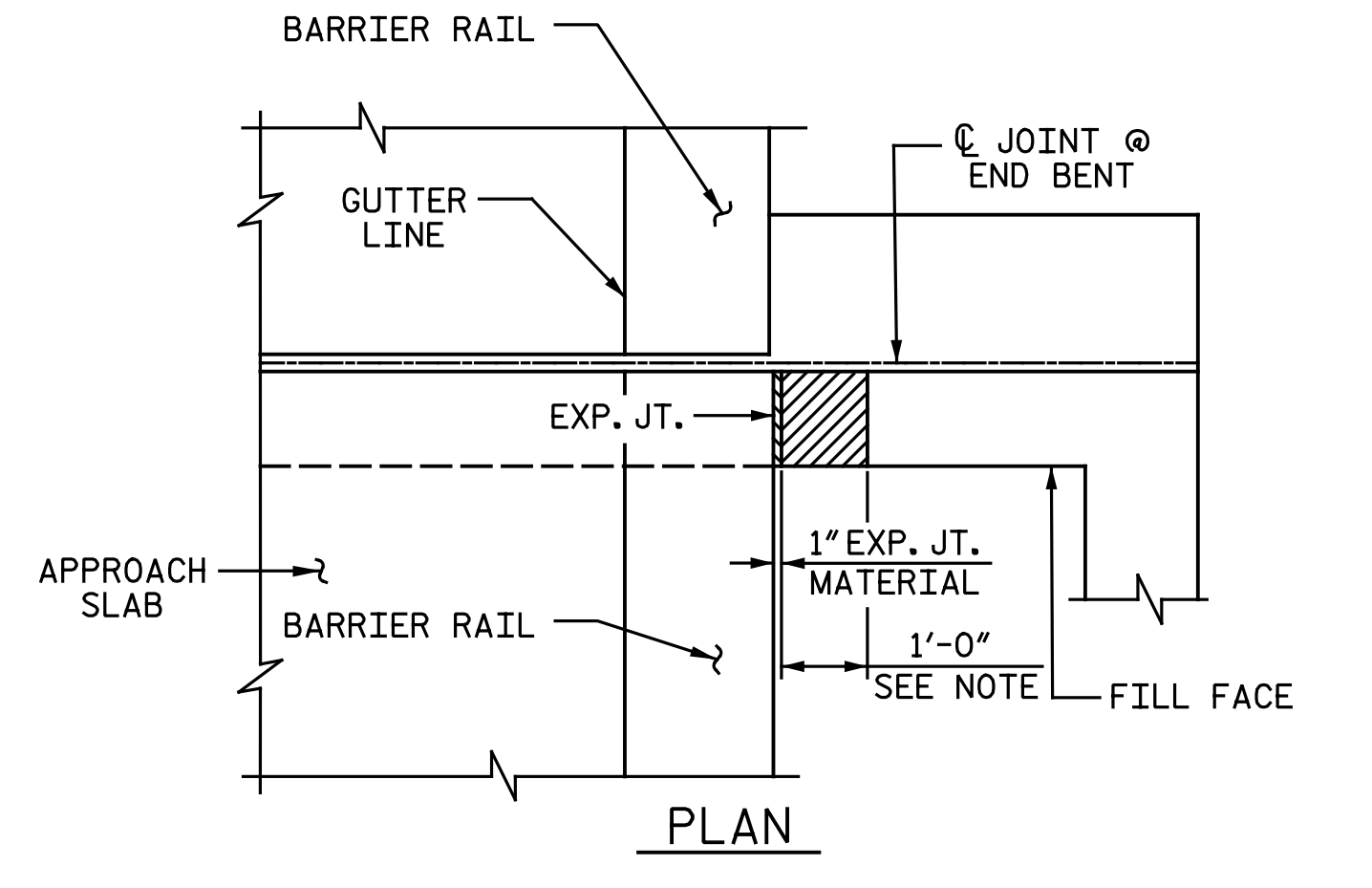
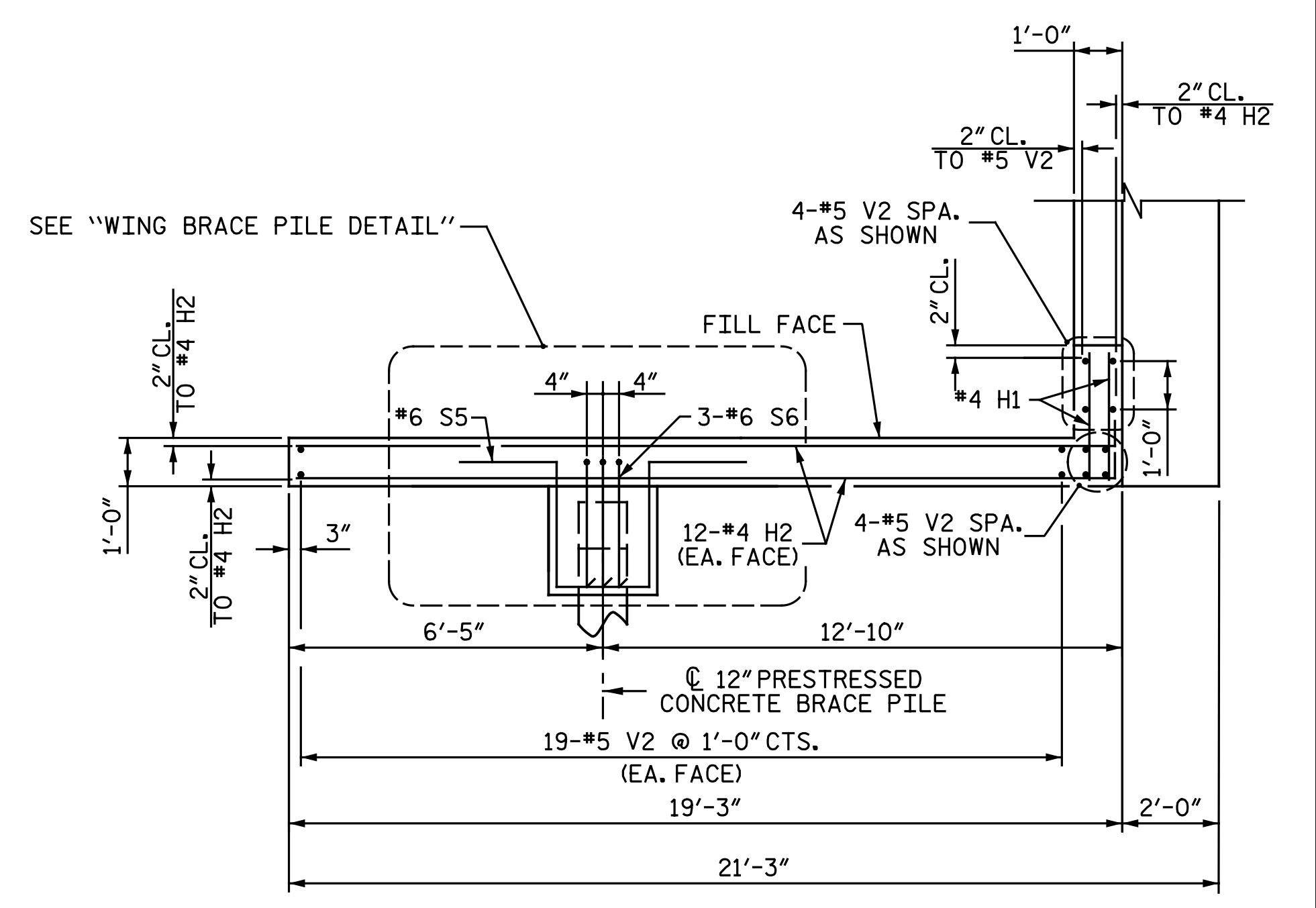


PLAN OF LEFT WING WALL (W1)

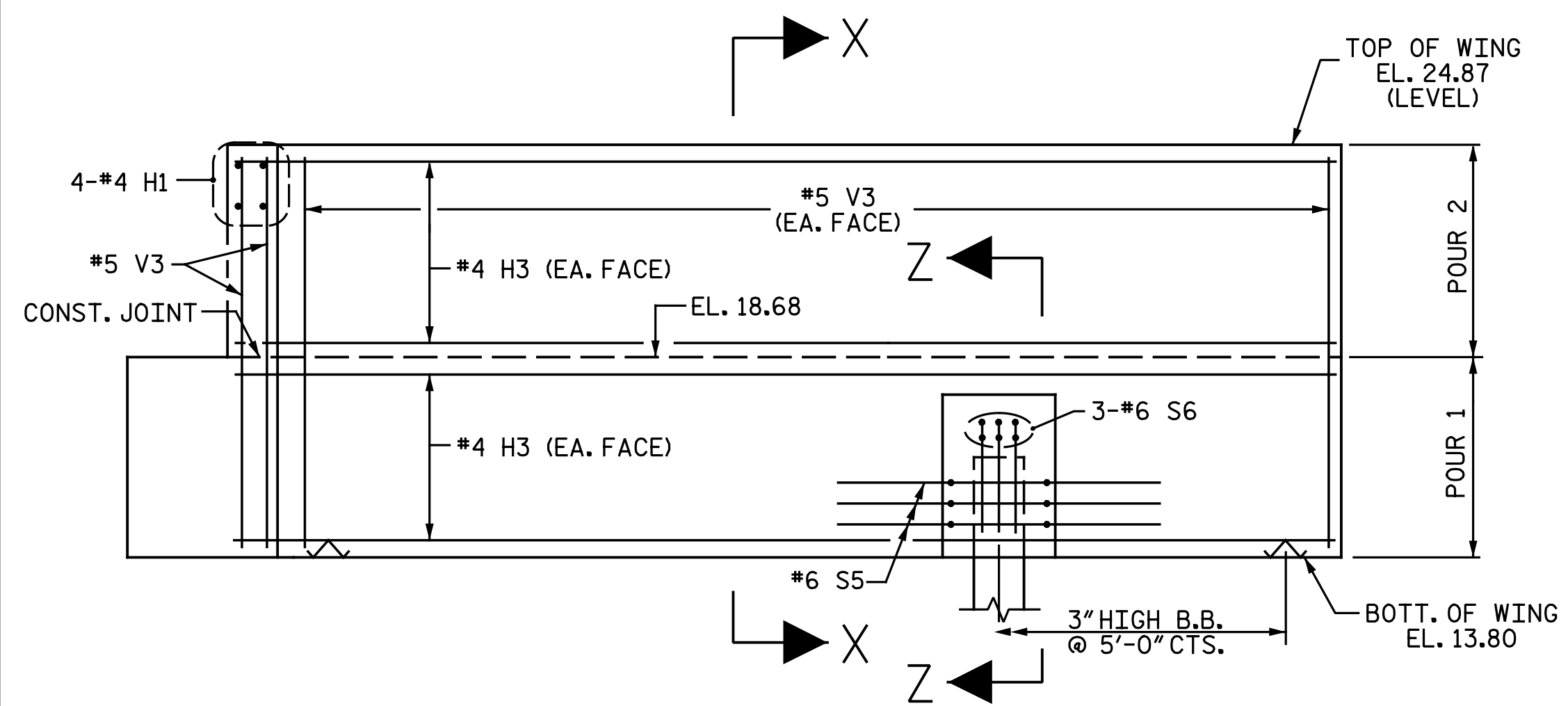


WING WALL DETAIL

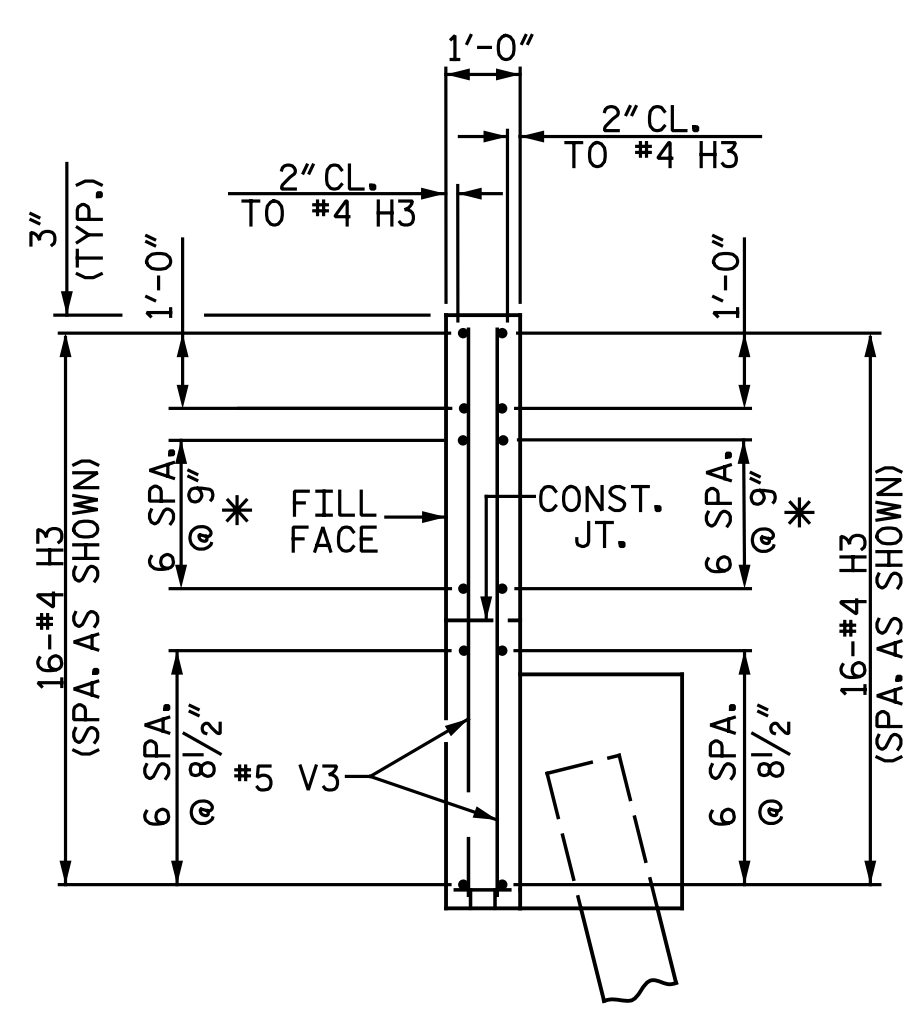
NOTE:
THE CONCRETE IN SHADED AREA OF THE WINGWALL SHALL BE POURED AFTER THE THE BARRIER RAIL IS CAST, IF SLIP FORMING IS USED.



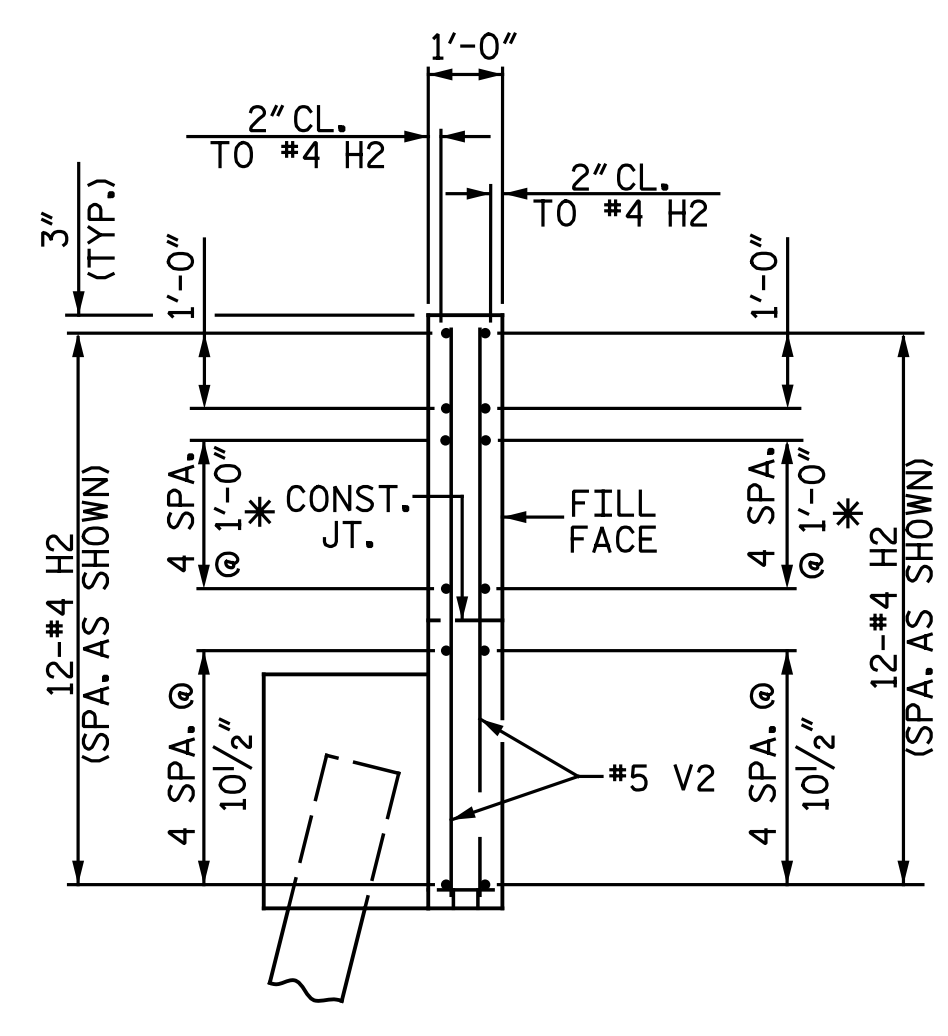
PLAN OF RIGHT WING WALL (W2)



ELEVATION OF LEFT WING WALL (W1)

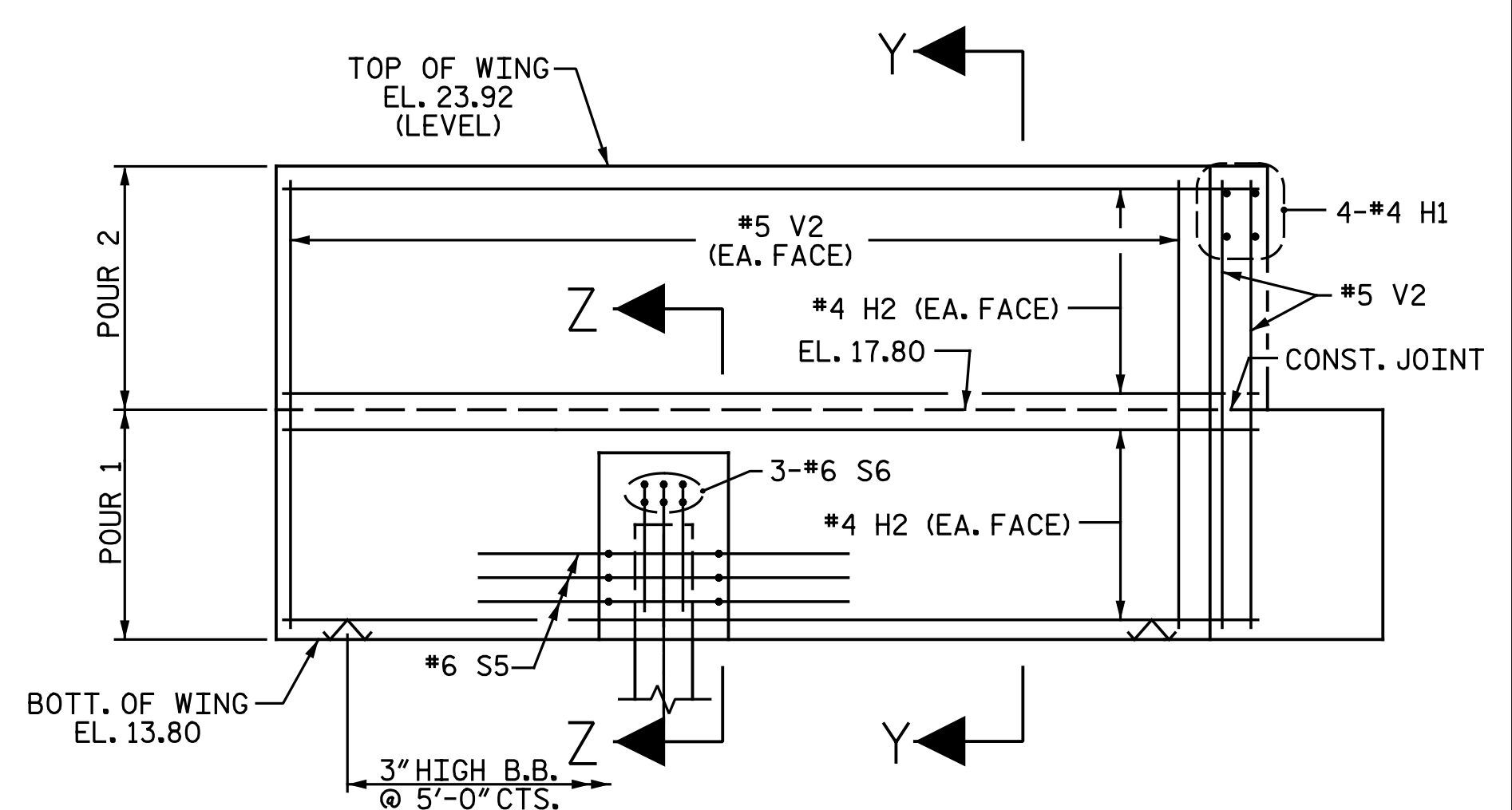


SECTION X-X

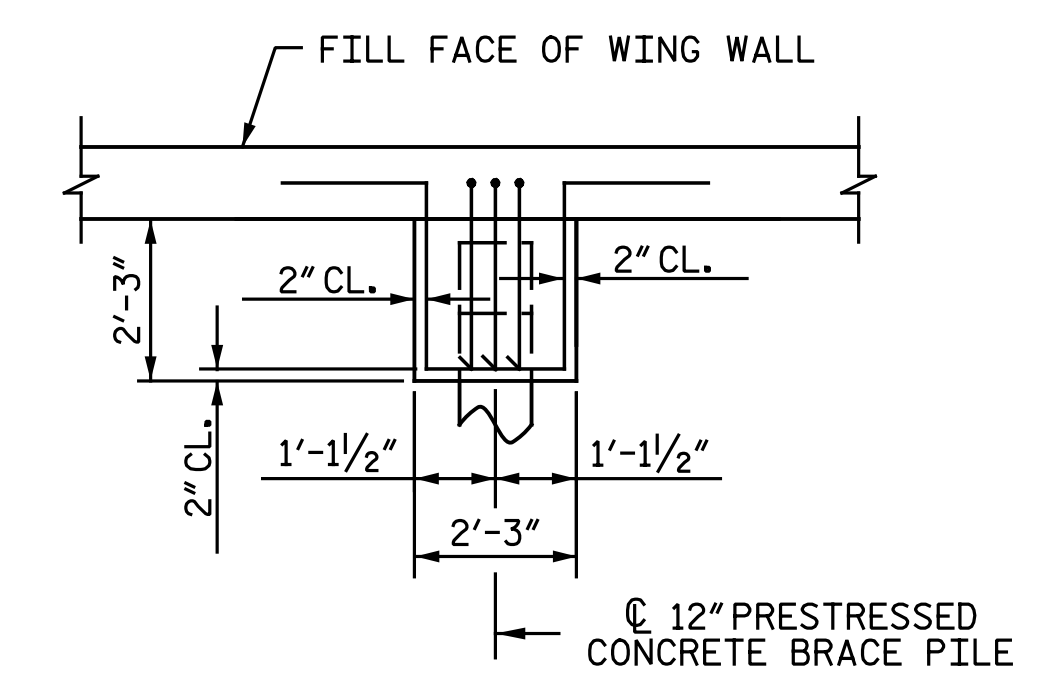


SECTION Y-Y

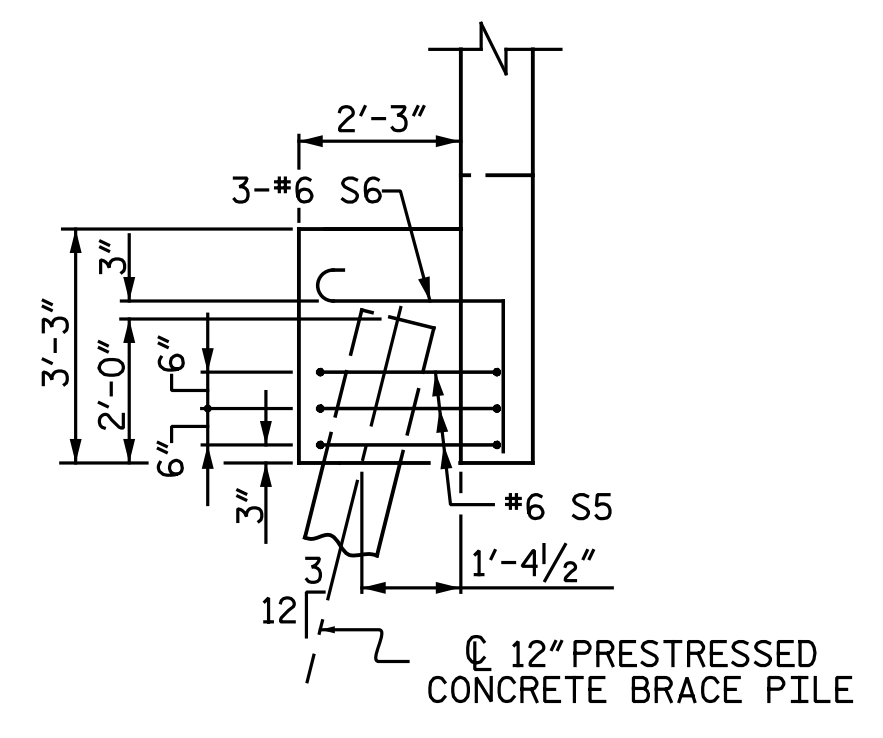
*MATCH "H" BARS TO K1 BARS IN BACKWALL



ELEVATION OF RIGHT WING WALL (W2)

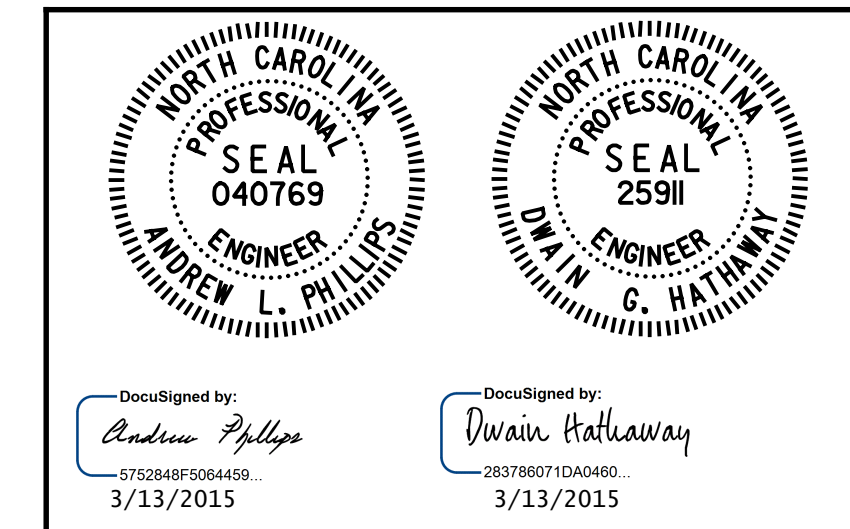


WING BRACE PILE DETAIL



SECTION Z-Z

PROJECT NO. R-2514D
JONES COUNTY
 STATION: 389+47.50 -L-
 SHEET 2 OF 3



STATE OF NORTH CAROLINA
 DEPARTMENT OF TRANSPORTATION
 RALEIGH
 SUBSTRUCTURE
 END BENT I
 WING WALL DETAILS
 RIGHT LANE

REVISIONS						SHEET NO. S08-34
NO.	BY:	DATE:	NO.	BY:	DATE:	
1			3			TOTAL SHEETS 68
2			4			

Baker
 Michael Baker Engineering
 8000 Regency Parkway, Suite 600
 Cary, North Carolina 27516
 NC License No.: F-1084

nbspeaks 4/14/16 PM 3/5/2015
 File Name: Y:\P\Projects\NCDOT\R-2514D\Site 4\Drawings\Right\Final\408_034_R2514D_SMU_EB1_02.dgn