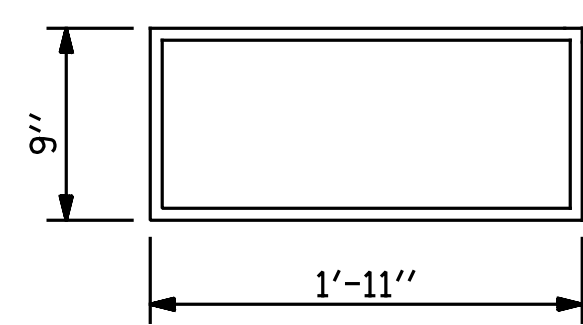
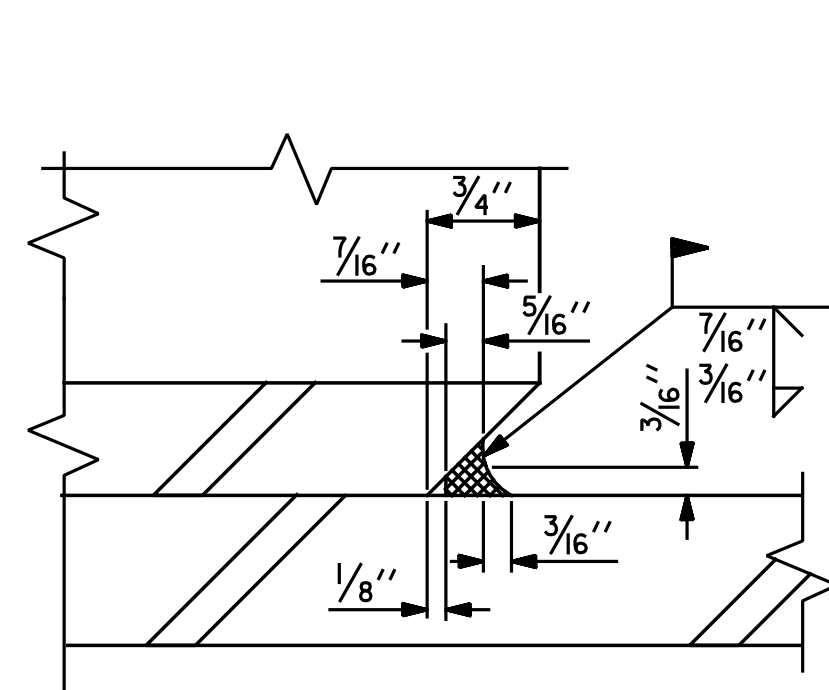


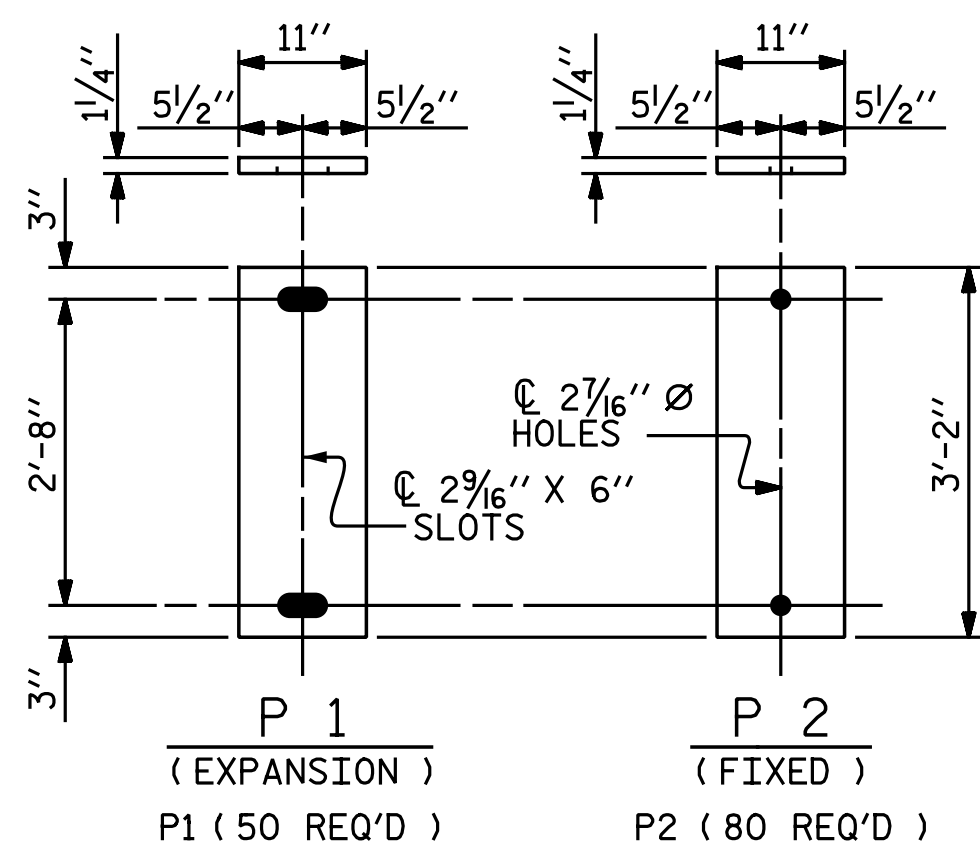
TYPICAL SECTION OF ELASTOMERIC BEARINGS



E1 (130 REQ'D)  
PLAN VIEW OF ELASTOMERIC BEARING  
TYPE V



DETAIL A



SOLE PLATE DETAILS ("P'")

MAXIMUM ALLOWABLE SERVICE LOADS	
D.L.+L.L. (NO IMPACT)	
TYPE V	320 k

**NOTES:**

AT ALL FIXED POINTS OF SUPPORT, NUTS FOR ANCHOR BOLTS ARE TO BE TIGHTENED FINGER TIGHT AND THEN BACKED OFF 1/2 TURN. THE THREAD OF THE NUT AND BOLT SHALL THEN BE BURRED WITH A SHARP POINTED TOOL.

THE 2" Ø PIPE SLEEVE SHALL BE CUT FROM SCHEDULE 40 PVC PLASTIC PIPE. THE PVC PLASTIC PIPE SHALL MEET THE REQUIREMENTS OF ASTM D1785.

STEEL SOLE PLATES, ANCHOR BOLTS, NUTS, AND WASHERS SHALL BE GALVANIZED IN ACCORDANCE WITH THE STANDARD SPECIFICATIONS.

PRIOR TO WELDING, GRIND THE GALVANIZED SURFACE OF THE PORTION OF THE EMBEDDED PLATE AND SOLE PLATE THAT ARE TO BE WELDED. AFTER WELDING, DAMAGED GALVANIZED SURFACES SHALL BE REPAIRED IN ACCORDANCE WITH THE STANDARD SPECIFICATIONS.

WHEN WELDING THE SOLE PLATE TO THE EMBEDDED PLATE IN THE GIRDER, USE TEMPERATURE INDICATING WAX PENS, OR OTHER SUITABLE MEANS, TO ENSURE THAT THE TEMPERATURE OF THE SOLE PLATE DOES NOT EXCEED 300°F. TEMPERATURES ABOVE THIS MAY DAMAGE THE ELASTOMER.

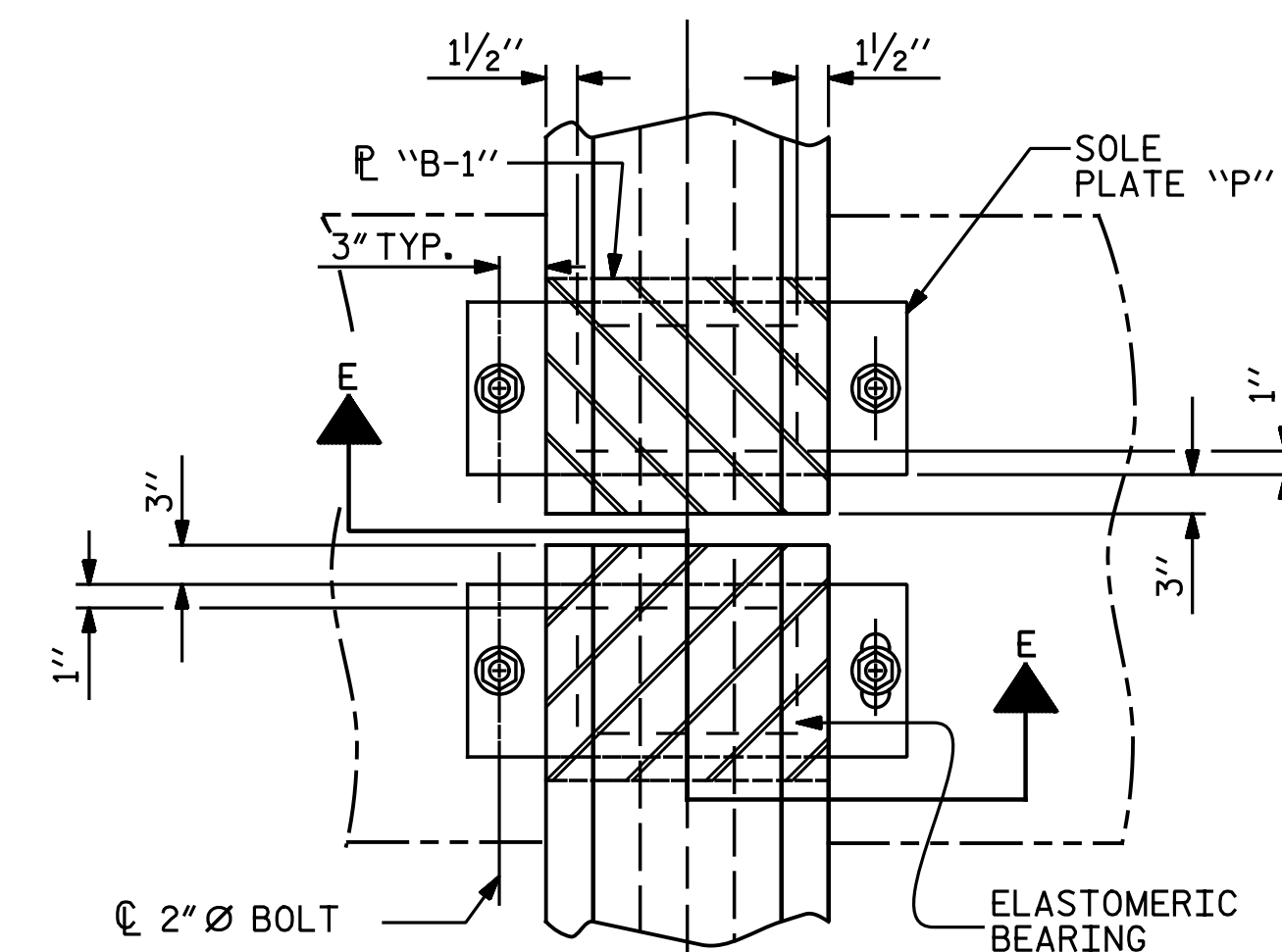
SOLE PLATE "P", BOLTS, NUTS, WASHERS, AND PIPE SLEEVE SHALL BE INCLUDED IN THE PAY ITEM FOR PRESTRESSED CONCRETE GIRDERS.

ANCHOR BOLTS SHALL MEET THE REQUIREMENTS OF ASTM A449. NUTS SHALL MEET THE REQUIREMENTS OF AASHTO M291-DH OR AASHTO M292-2H. WASHERS SHALL MEET THE REQUIREMENTS OF AASHTO M293. NO SHOP DRAWINGS ARE REQUIRED FOR ANCHOR BOLTS, NUTS AND WASHERS. SHOP INSPECTION IS REQUIRED.

ALL SURFACES OF BEARING PLATES SHALL BE SMOOTH AND STRAIGHT.

THE ELASTOMER IN THE STEEL REINFORCED BEARINGS SHALL HAVE A SHEAR MODULUS OF 0.160 KSI, IN ACCORDANCE WITH AASHTO M251.

FOR STEEL REINFORCED ELASTOMERIC BEARINGS, SEE SPECIAL PROVISIONS.



TYPICAL HALF-PLAN (SHOWING CONTINUOUS BENT)  
TYPICAL HALF-PLAN (SHOWING SIMPLE SPAN BENT)

PROJECT NO. R-2514D  
JONES COUNTY  
STATION: 389+47.50 -L-

DocuSigned by:  
*Andrew Phillips*  
5752848F5084459...  
3/13/2015

DocuSigned by:  
*Dwan Hathaway*  
283786071DA0460...  
3/13/2015

STATE OF NORTH CAROLINA  
DEPARTMENT OF TRANSPORTATION  
RALEIGH  
**ELASTOMERIC BEARING DETAILS**  
PRESTRESSED CONCRETE GIRDER SUPERSTRUCTURE  
RIGHT LANE

REVISIONS						SHEET NO.
NO.	BY:	DATE:	NO.	BY:	DATE:	S08-21
1			3			TOTAL SHEETS
2			4			68

**Baker**  
Michael Baker Engineering  
8000 Regency Parkway, Suite 600  
Cary, North Carolina 27516  
NC License No.: F-1084

nbspecks 4/14/13 4:36 PM  
 3/5/2015  
 File Name: Y:\P\Projects\NCDOT\R-2514D\Site 4\Drawings\Right\Final\408\_02L\_R2514D\_SML.BC01.dgn