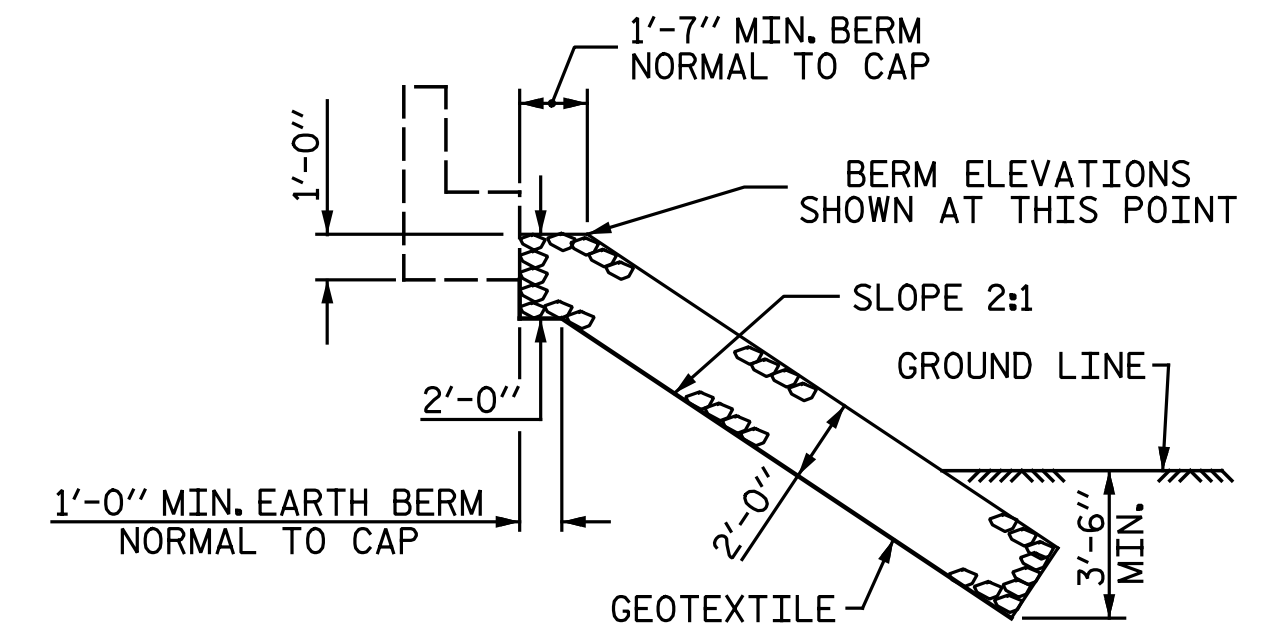
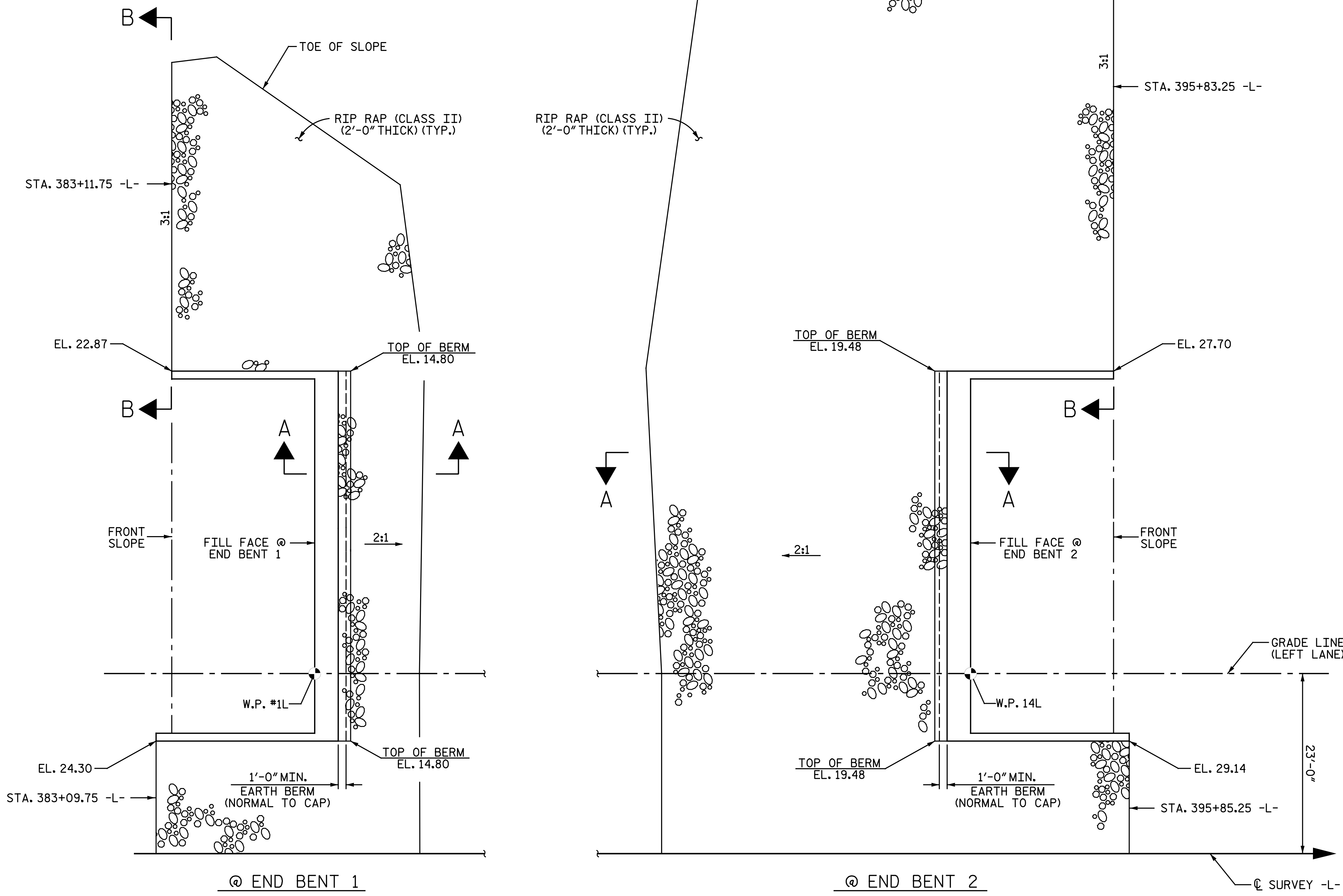
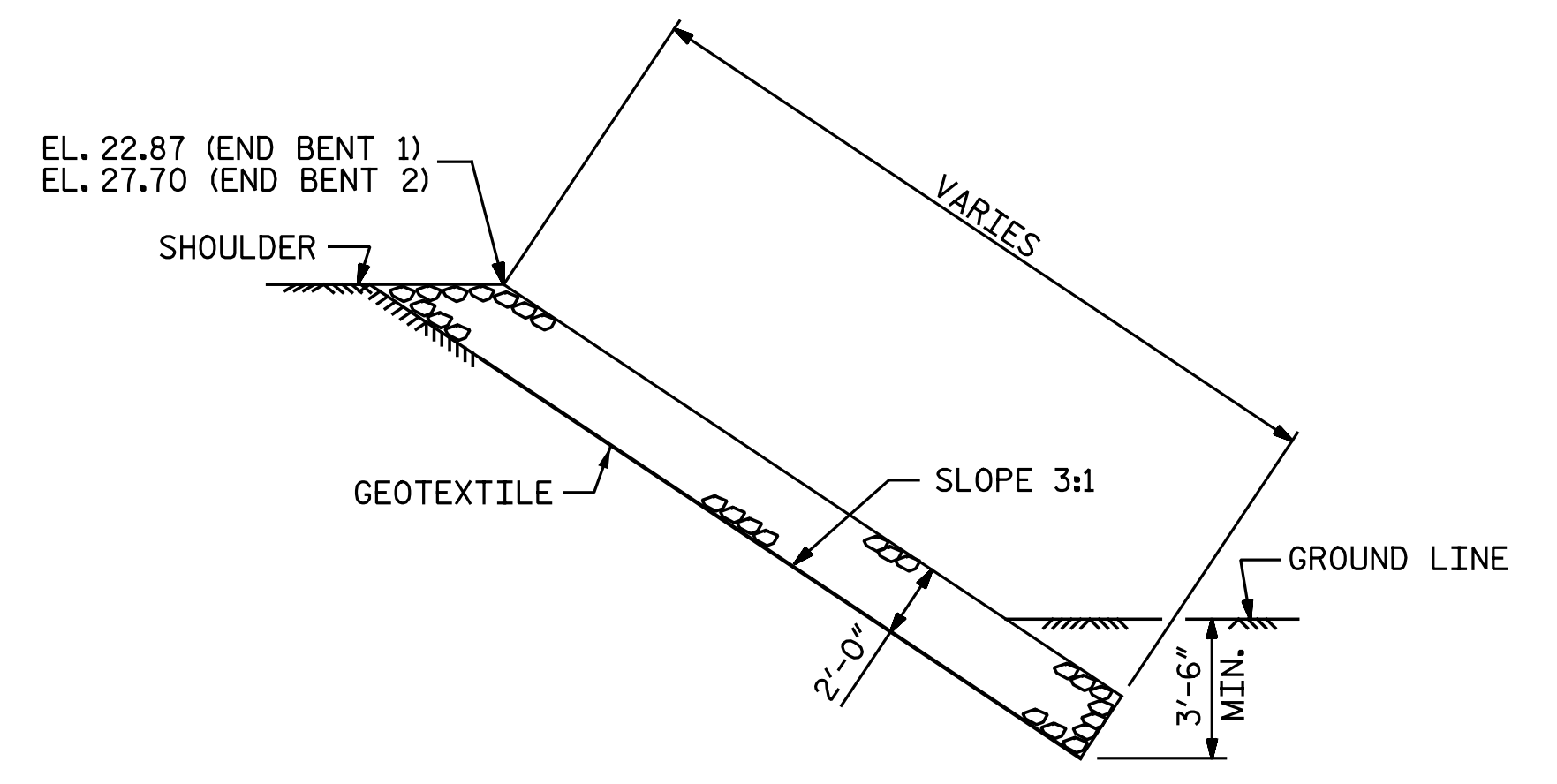


NOTES:
FOR BERM WIDTH DIMENSIONS, SEE GENERAL DRAWING.

ESTIMATED QUANTITIES		
BRIDGE @ STA. 389+47.50 -L-	RIP RAP CLASS II (2'-0" THICK)	GEOTEXTILE FOR DRAINAGE
	TONS	SQUARE YARDS
END BENT 1	330	367
END BENT 2	845	939

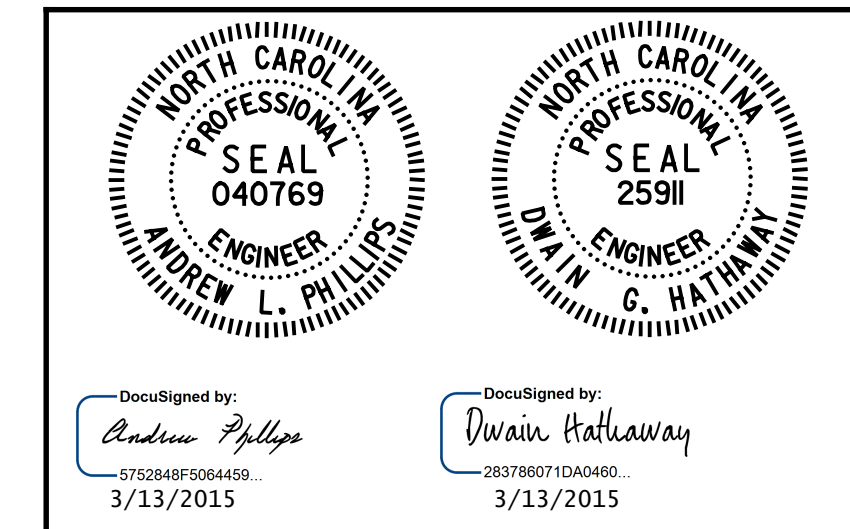


SECTION A-A



SECTION B-B

PROJECT NO. R-2514D
JONES COUNTY
STATION: 389+47.50 -L-



STATE OF NORTH CAROLINA
DEPARTMENT OF TRANSPORTATION
RALEIGH

RIP RAP DETAILS

LEFT LANE

REVISIONS						SHEET NO.
NO.	BY:	DATE:	NO.	BY:	DATE:	S07-66
1			3			TOTAL SHEETS
2			4			68



Michael Baker Engineering
8000 Regency Parkway, Suite 600
Cary, North Carolina 27518
NC License No.: F-1084

DWG. 66 OF 68

DRAWN BY : N. B. SPEAKS DATE : 8-5-14
CHECKED BY : A. M. HOUSTON DATE : 8-5-14

nbspeaks 4/12/15 4:12:32 PM
 3/5/2015
 File Name: Y:\Projects\NCDOT\R-2514D\Site 4\Drawings\Left\Final\407_066_R2514D_SML_SF01.dgn