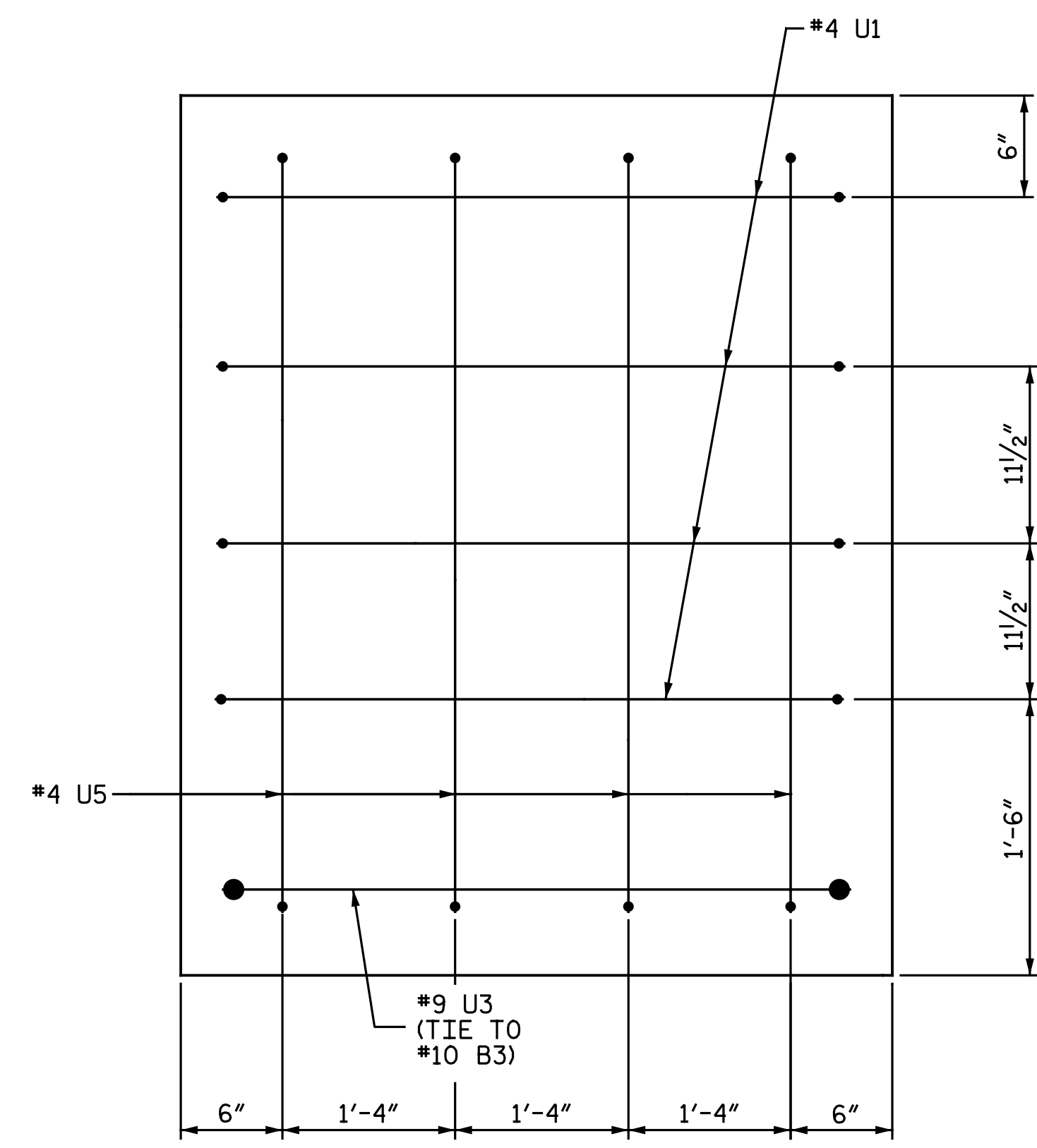
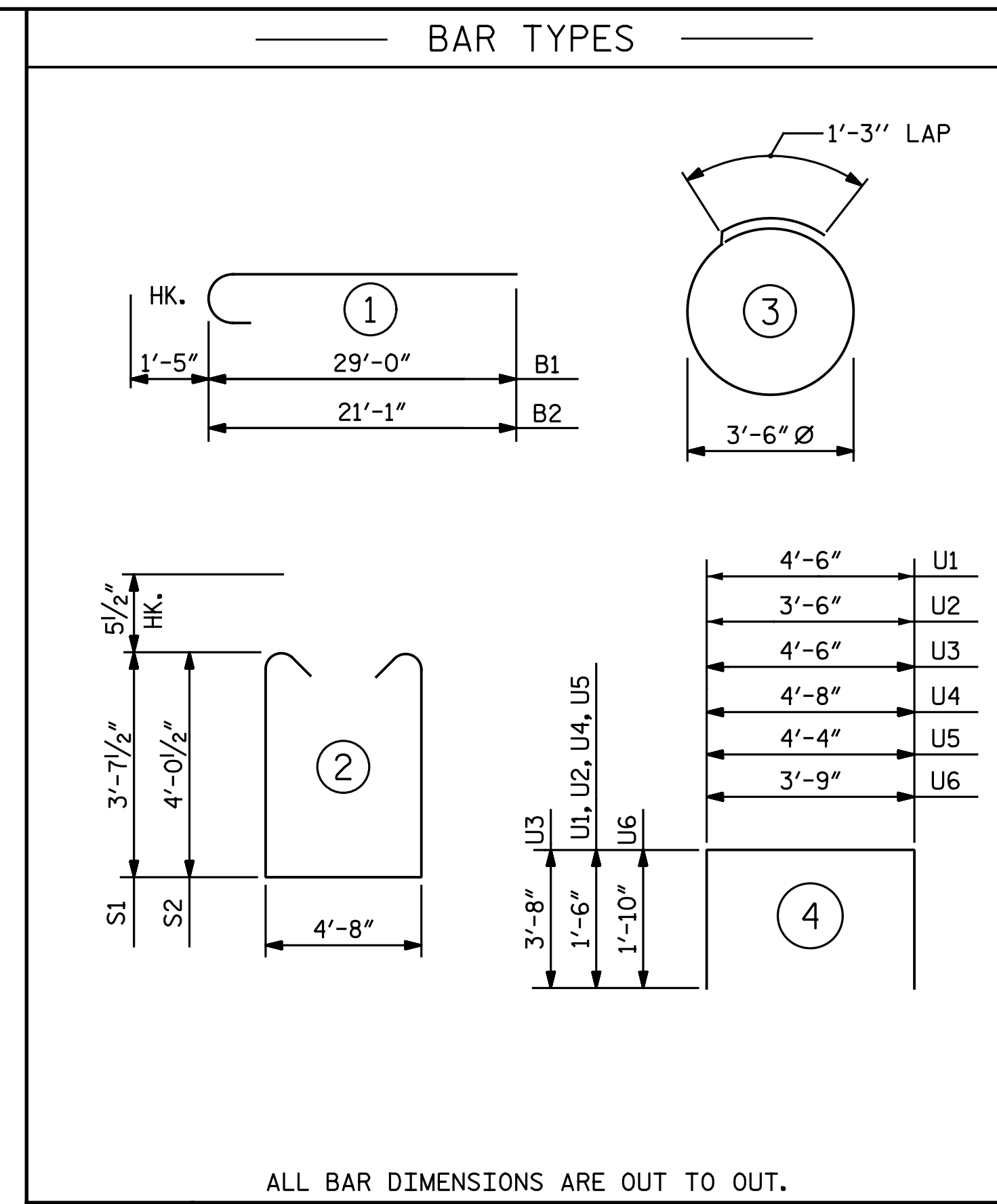


VIEW X-X

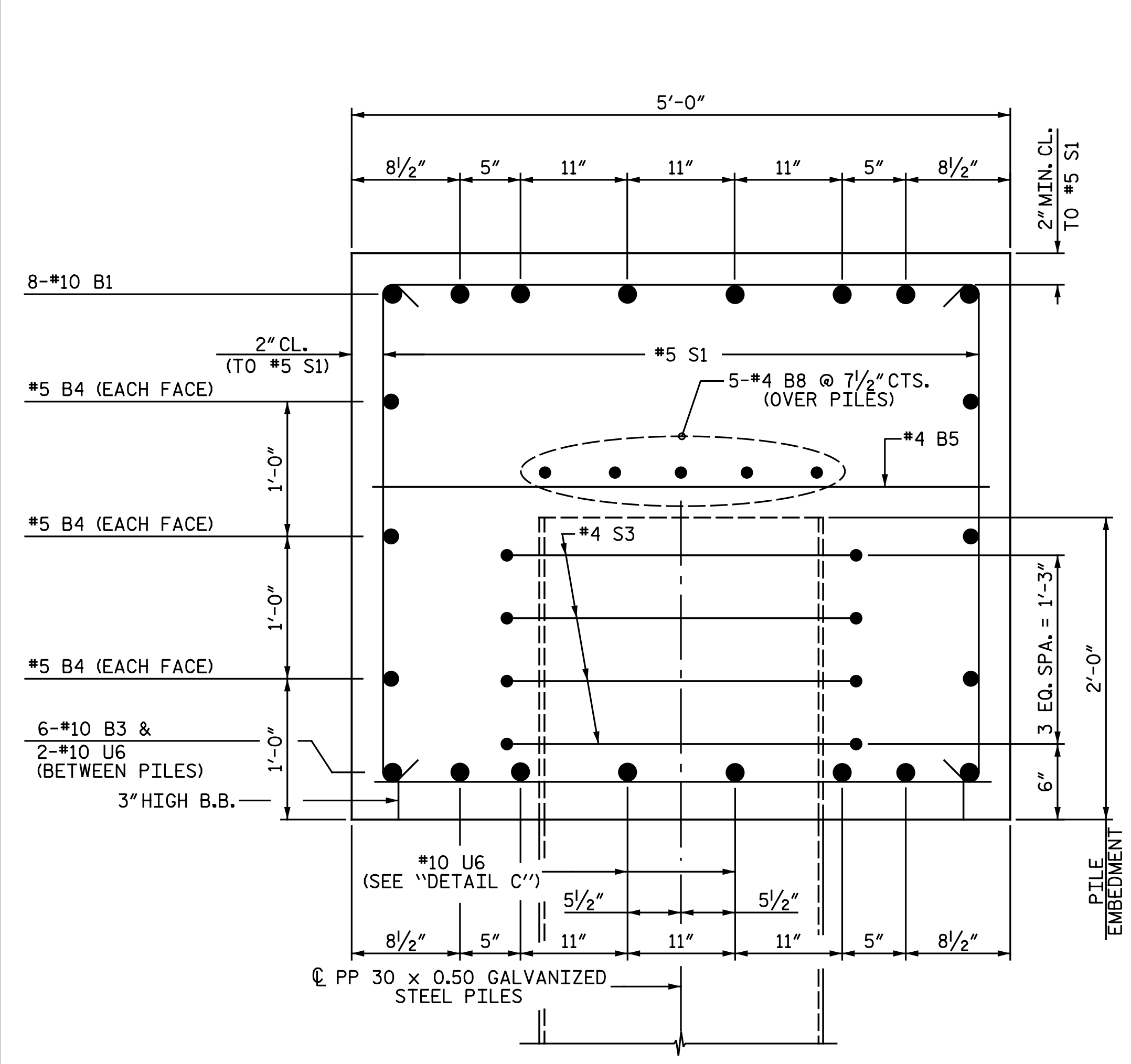


VIEW Y-Y

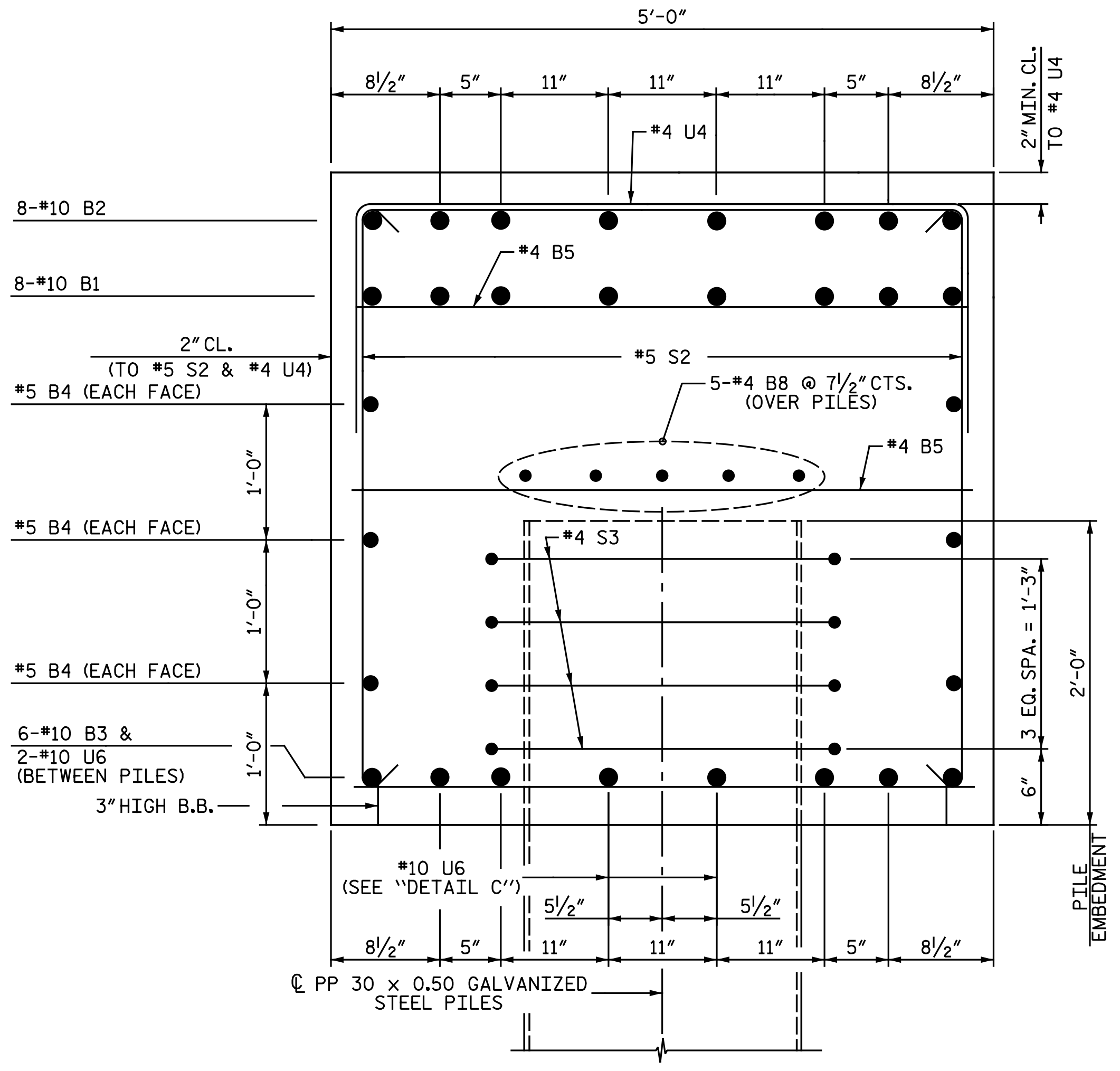


ALL BAR DIMENSIONS ARE OUT TO OUT.

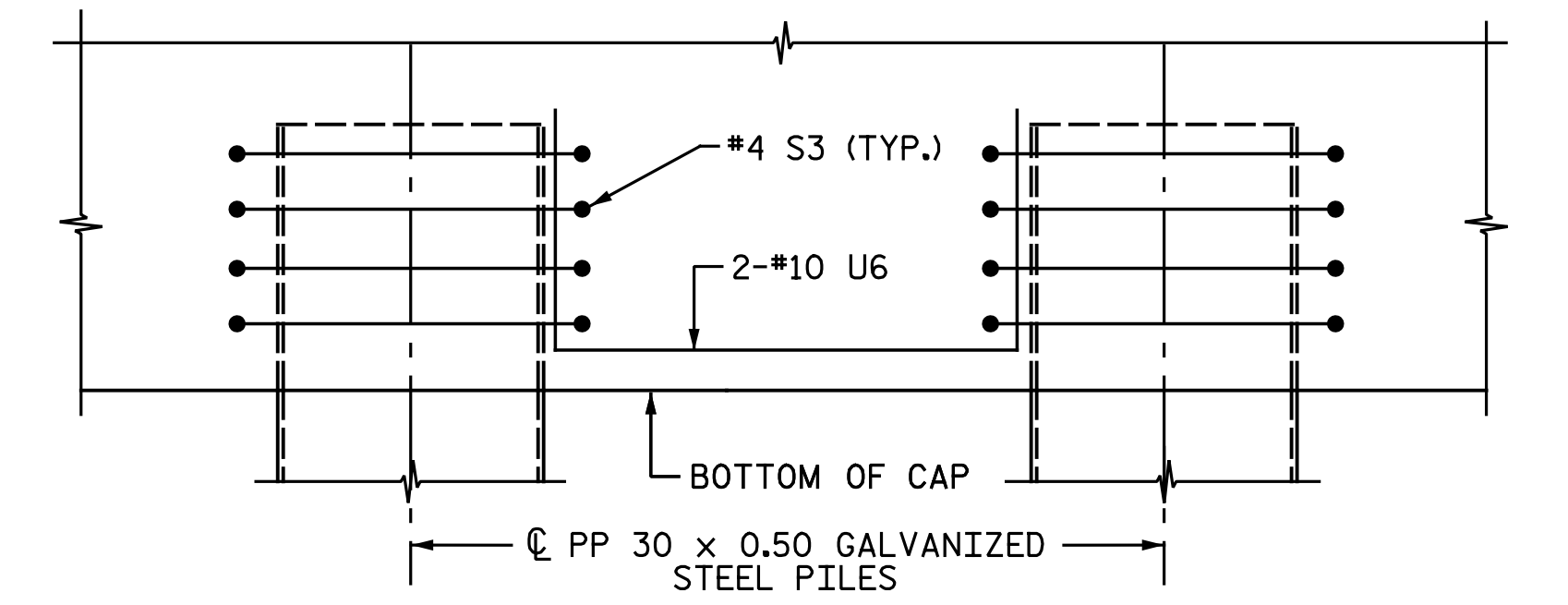
BILL OF MATERIAL					
BENT 9					
BAR	NO.	SIZE	TYPE	LENGTH	WEIGHT
B1	8	10	1	30' - 5"	1,047
B2	8	10	1	22' - 6"	775
B3	6	10	STR	39' - 0"	1,007
B4	6	5	STR	39' - 0"	244
B5	14	4	STR	4' - 8"	44
B6	8	4	STR	3' - 7"	19
B7	16	4	STR	8' - 7"	92
B8	10	4	STR	20' - 9"	139
S1	19	5	2	12' - 10"	254
S2	24	5	2	13' - 8"	342
S3	24	4	3	12' - 3"	196
U1	7	4	4	7' - 4"	34
U2	4	4	4	5' - 11"	16
U3	2	9	4	11' - 10"	80
U4	41	4	4	7' - 8"	210
U5	4	4	4	6' - 9"	18
U6	10	10	4	7' - 5"	319
REINFORCING STEEL				LBS.	4,836
CLASS "A" CONCRETE BREAKDOWN					
POUR #1 - CAP				C.Y.	31.9
PP 30 x 0.50 GALVANIZED STEEL PILES					
No. 6				LIN. FT.	390
PIPE PILE PLATES				EA.	6
PILE REDRIVES				EA.	4



SECTION A-A

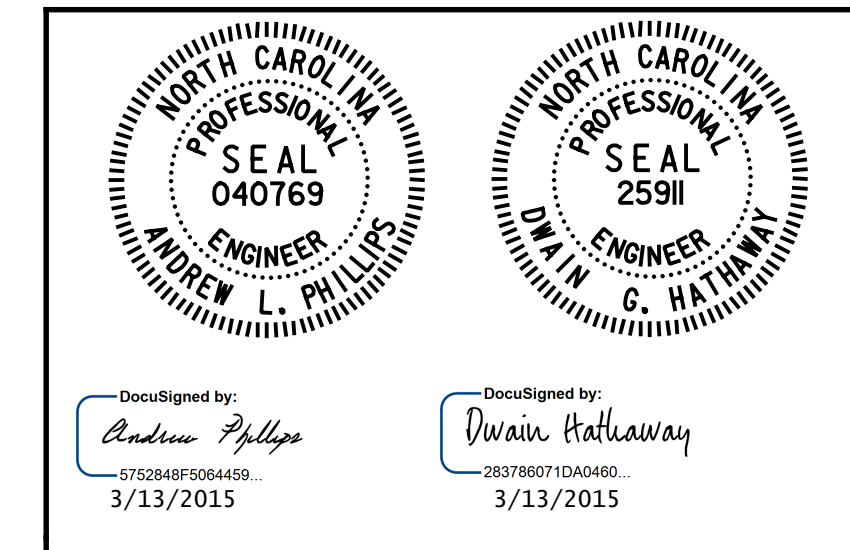


SECTION B-B



DETAIL C  
(TYP. EA. BAY)

PROJECT NO. R-2514D  
 JONES COUNTY  
 STATION: 389+47.50 -L-  
 SHEET 2 OF 2



STATE OF NORTH CAROLINA  
 DEPARTMENT OF TRANSPORTATION  
 RALEIGH  
 SUBSTRUCTURE  
 BENT 9 DETAILS  
 LEFT LANE

DRAWN BY: N. B. SPEAKS DATE: 6-16-14  
 CHECKED BY: A. M. HOUSTON DATE: 7-14-14

DWG. 53 OF 68



Michael Baker Engineering  
 8000 Regency Parkway, Suite 600  
 Cary, North Carolina 27516  
 NC License No.: F-1084

REVISIONS						SHEET NO.
NO.	BY:	DATE:	NO.	BY:	DATE:	S07-53
1			3			TOTAL SHEETS
2			4			68