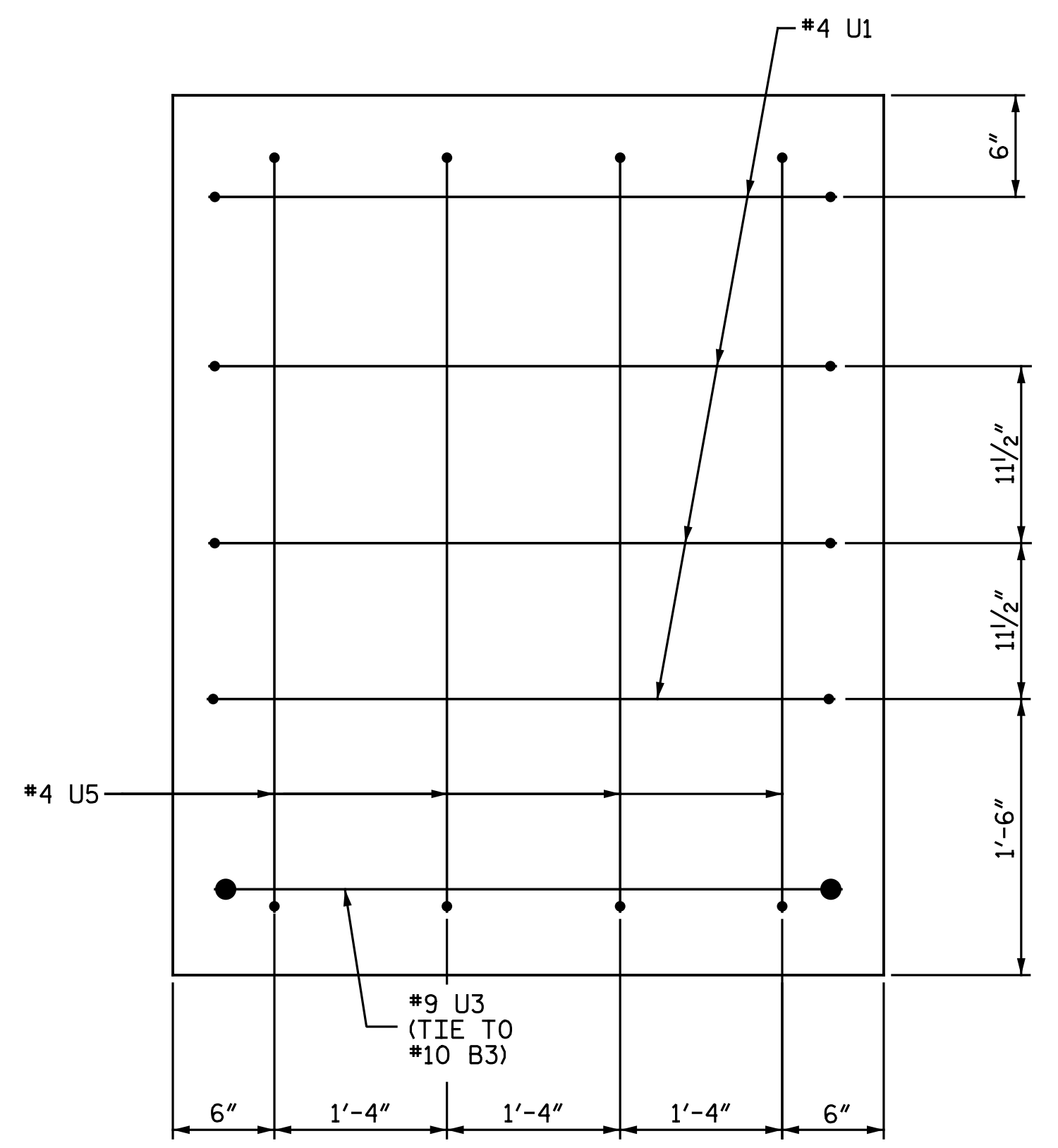
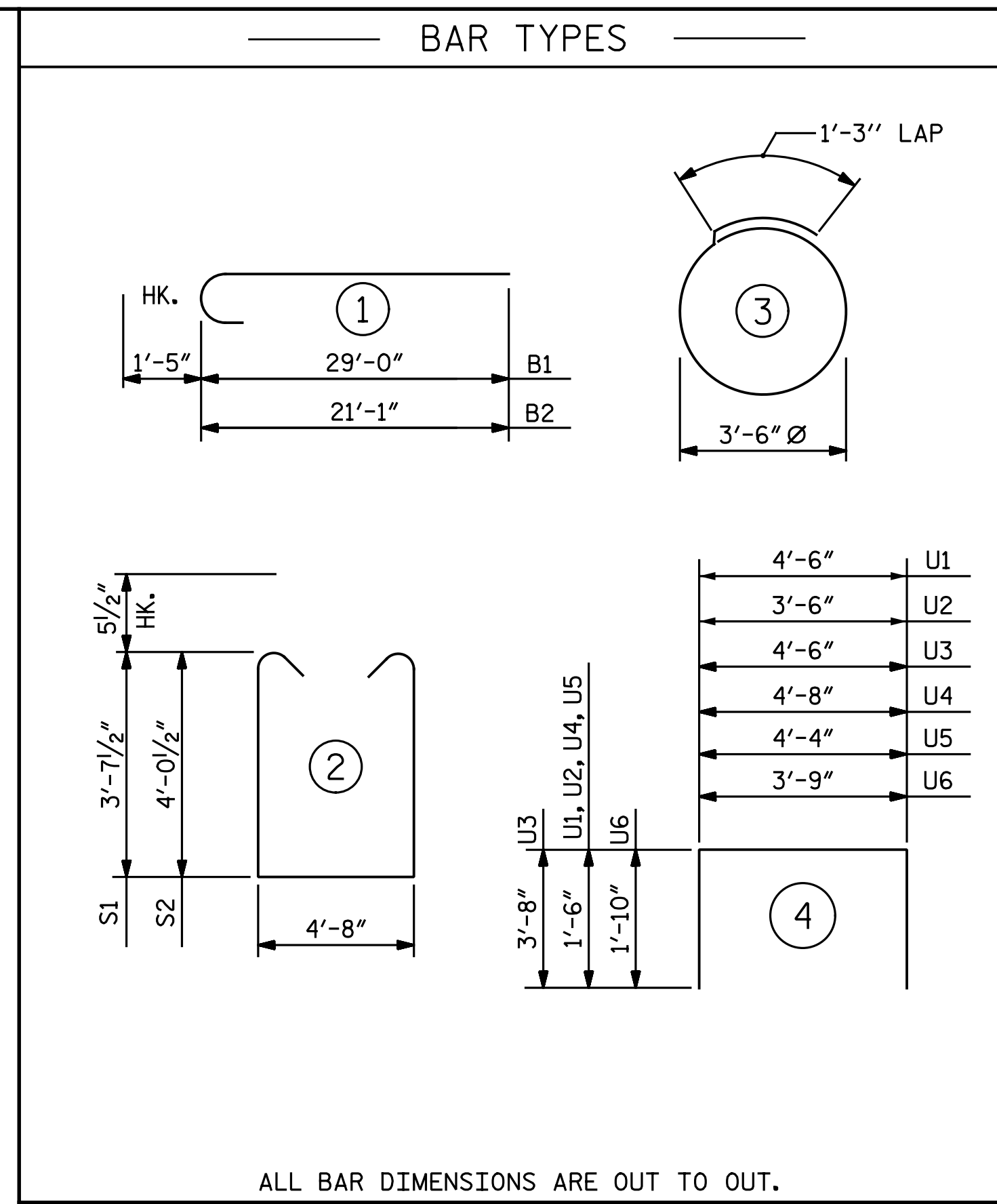


VIEW X-X

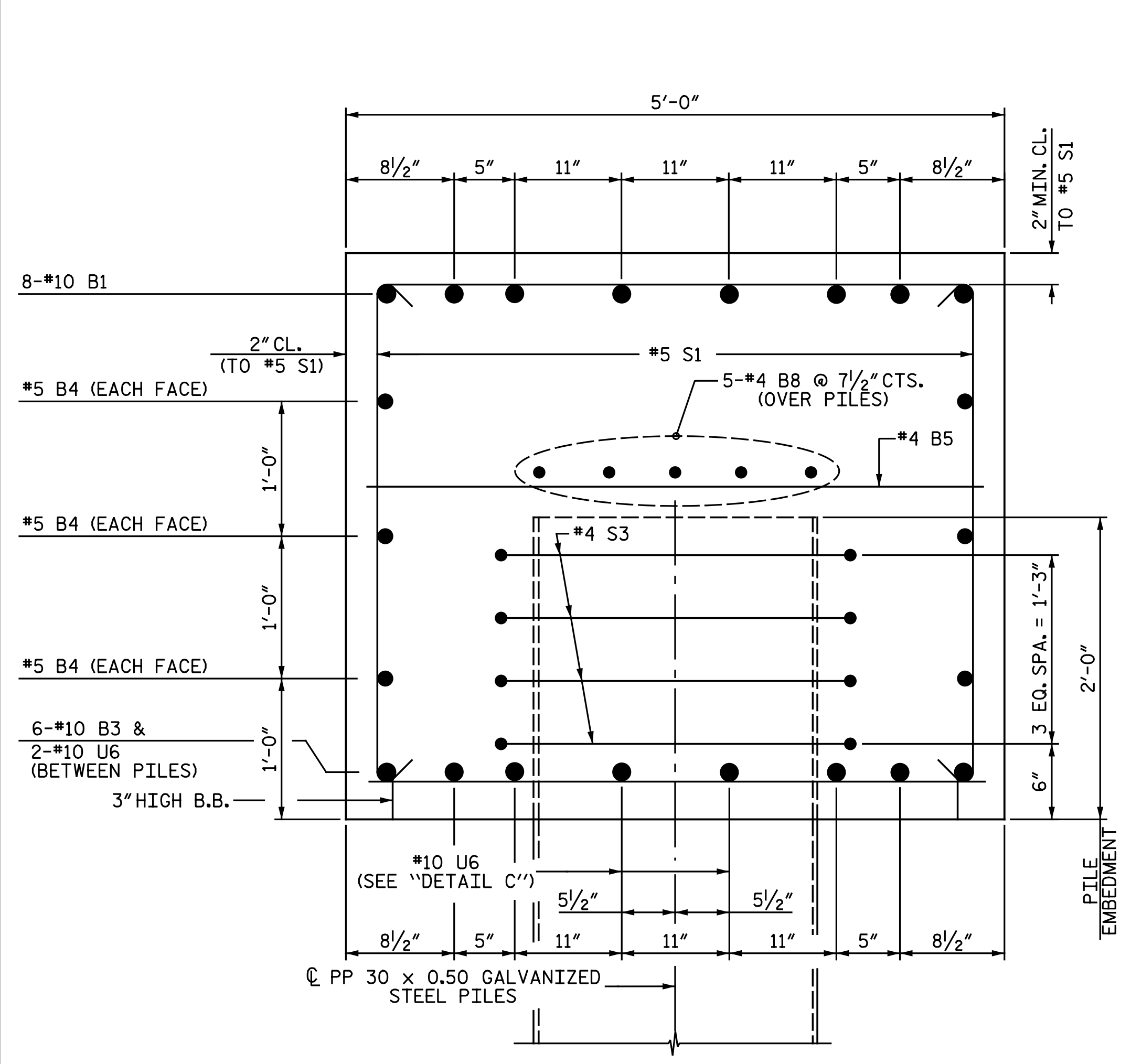


VIEW Y-Y

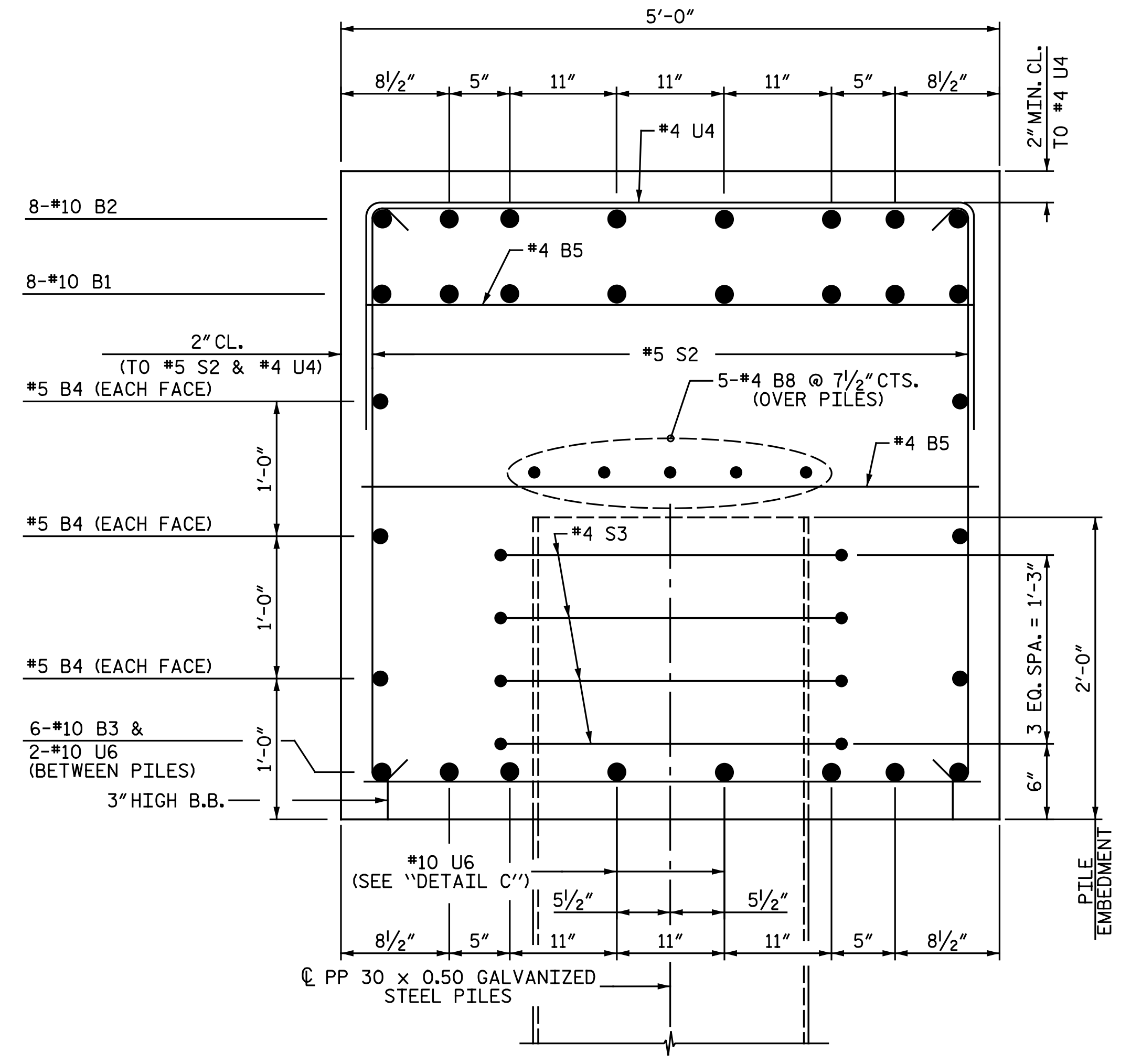


ALL BAR DIMENSIONS ARE OUT TO OUT.

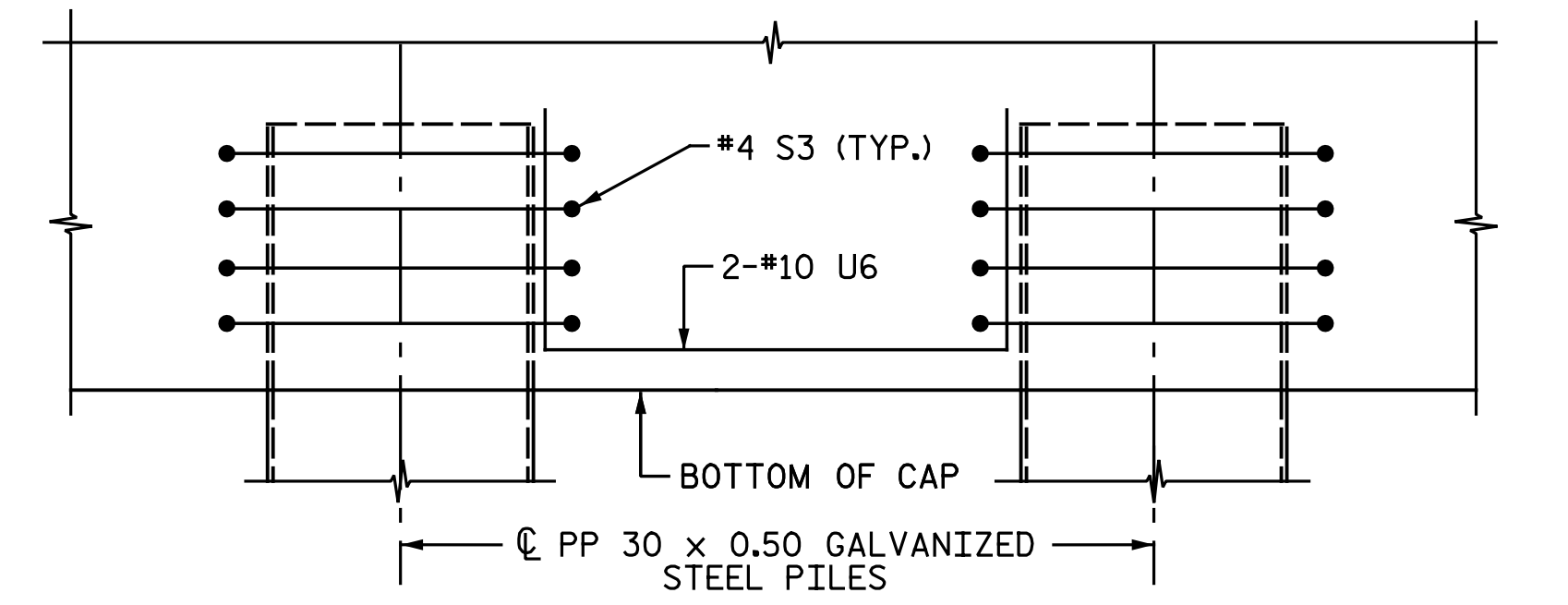
BILL OF MATERIAL					
BENT 8					
BAR NO.	NO.	SIZE	TYPE	LENGTH	WEIGHT
B1	8	10	1	30' - 5"	1,047
B2	8	10	1	22' - 6"	775
B3	6	10	STR	39' - 0"	1,007
B4	6	5	STR	39' - 0"	244
B5	14	4	STR	4' - 8"	44
B6	8	4	STR	3' - 7"	19
B7	16	4	STR	8' - 7"	92
B8	10	4	STR	20' - 9"	139
S1	19	5	2	12' - 10"	254
S2	24	5	2	13' - 8"	342
S3	24	4	3	12' - 3"	196
U1	7	4	4	7' - 4"	34
U2	4	4	4	5' - 11"	16
U3	2	9	4	11' - 10"	80
U4	41	4	4	7' - 8"	210
U5	4	4	4	6' - 9"	18
U6	10	10	4	7' - 5"	319
REINFORCING STEEL					LBS. 4,836
CLASS "A" CONCRETE BREAKDOWN					
POUR #1 - CAP					C.Y. 31.9
PP 30 x 0.50 GALVANIZED STEEL PILES					
No. 6					LIN. FT. 390
PIPE PILE PLATES					EA. 6
PILE REDRIVES					EA. 4



SECTION A-A

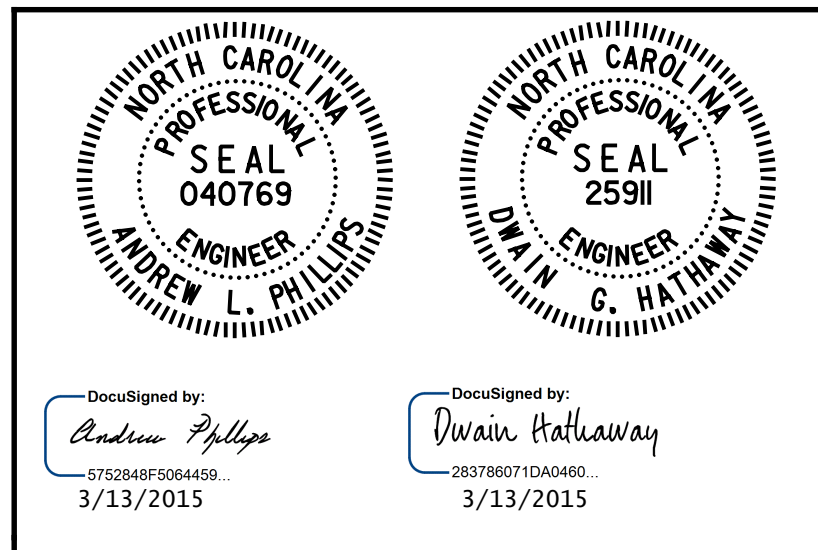


SECTION B-B



DETAIL C
(TYP. EA. BAY)

PROJECT NO. R-2514D
 JONES COUNTY
 STATION: 389+47.50 -L-
 SHEET 2 OF 2



STATE OF NORTH CAROLINA
 DEPARTMENT OF TRANSPORTATION
 RALEIGH
 SUBSTRUCTURE
 BENT 8 DETAILS
 LEFT LANE

DRAWN BY: N. B. SPEAKS DATE: 6-4-14
 CHECKED BY: A. M. HOUSTON DATE: 6-5-14

DWG. 51 OF 68

REVISIONS						SHEET NO.
NO.	BY:	DATE:	NO.	BY:	DATE:	S07-51
1			3			TOTAL SHEETS 68
2			4			