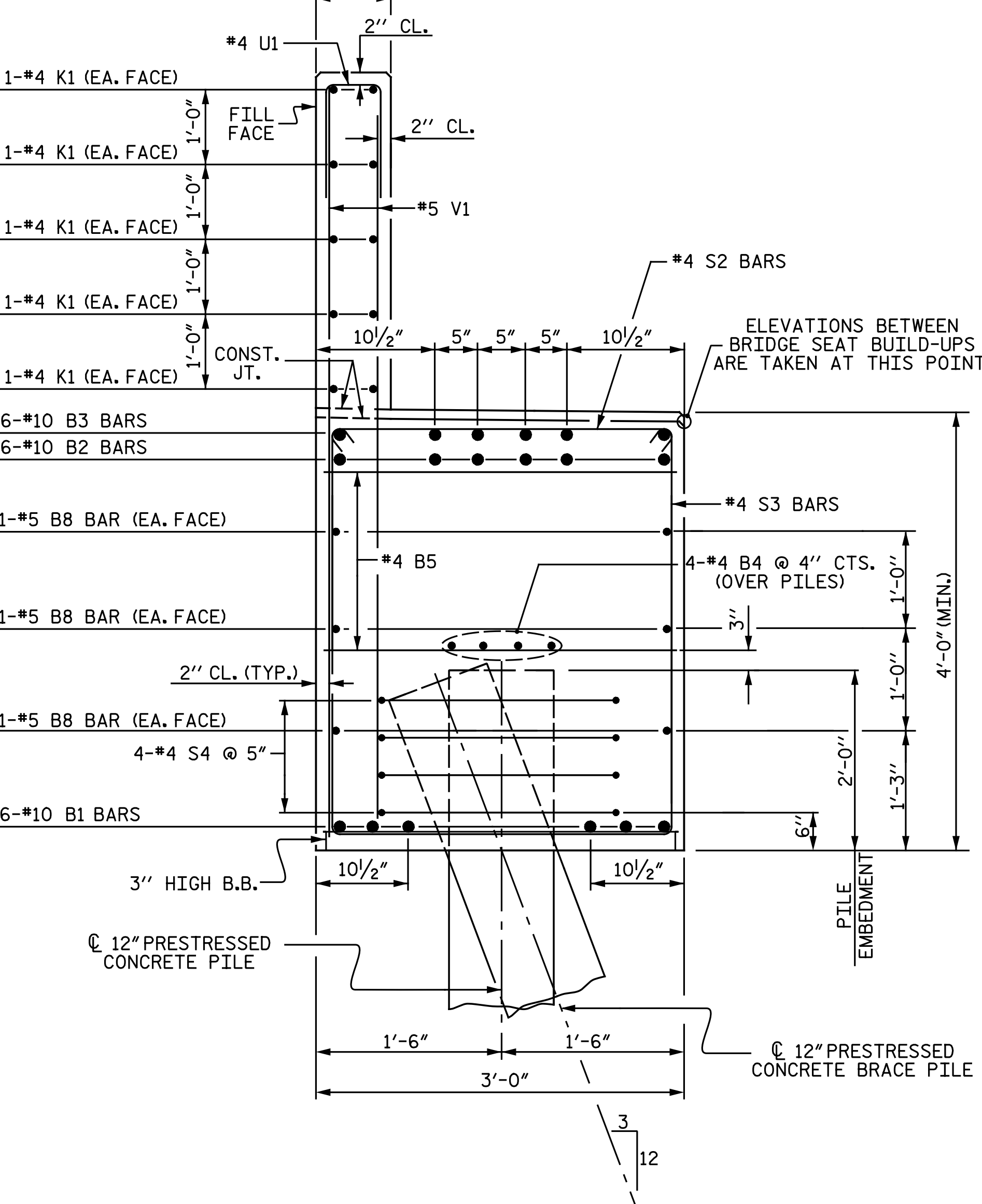
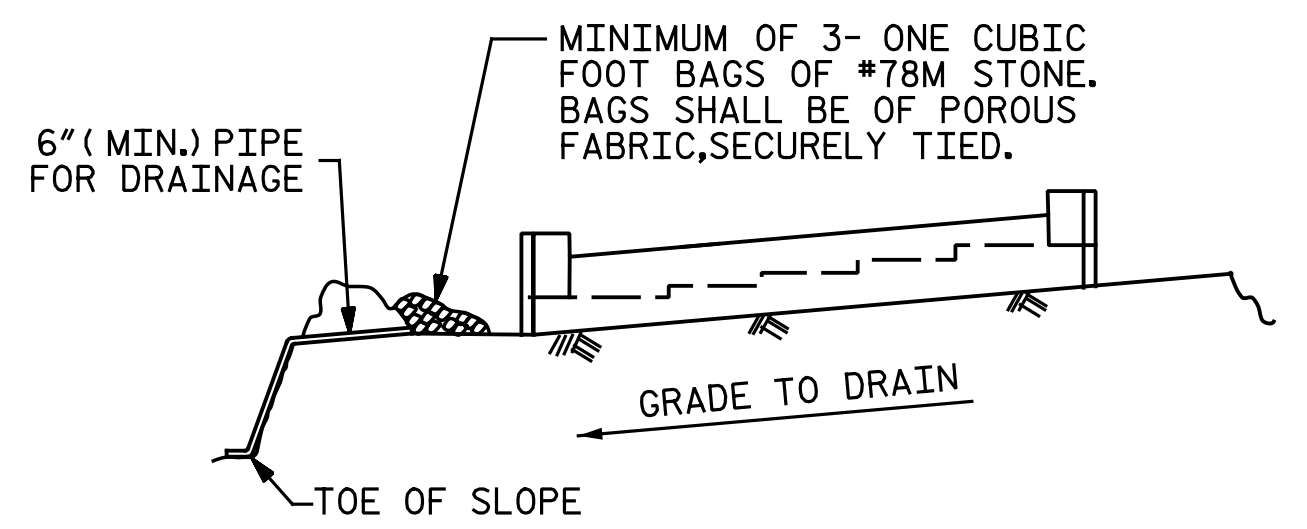


SECTION A-A



SECTION B-B

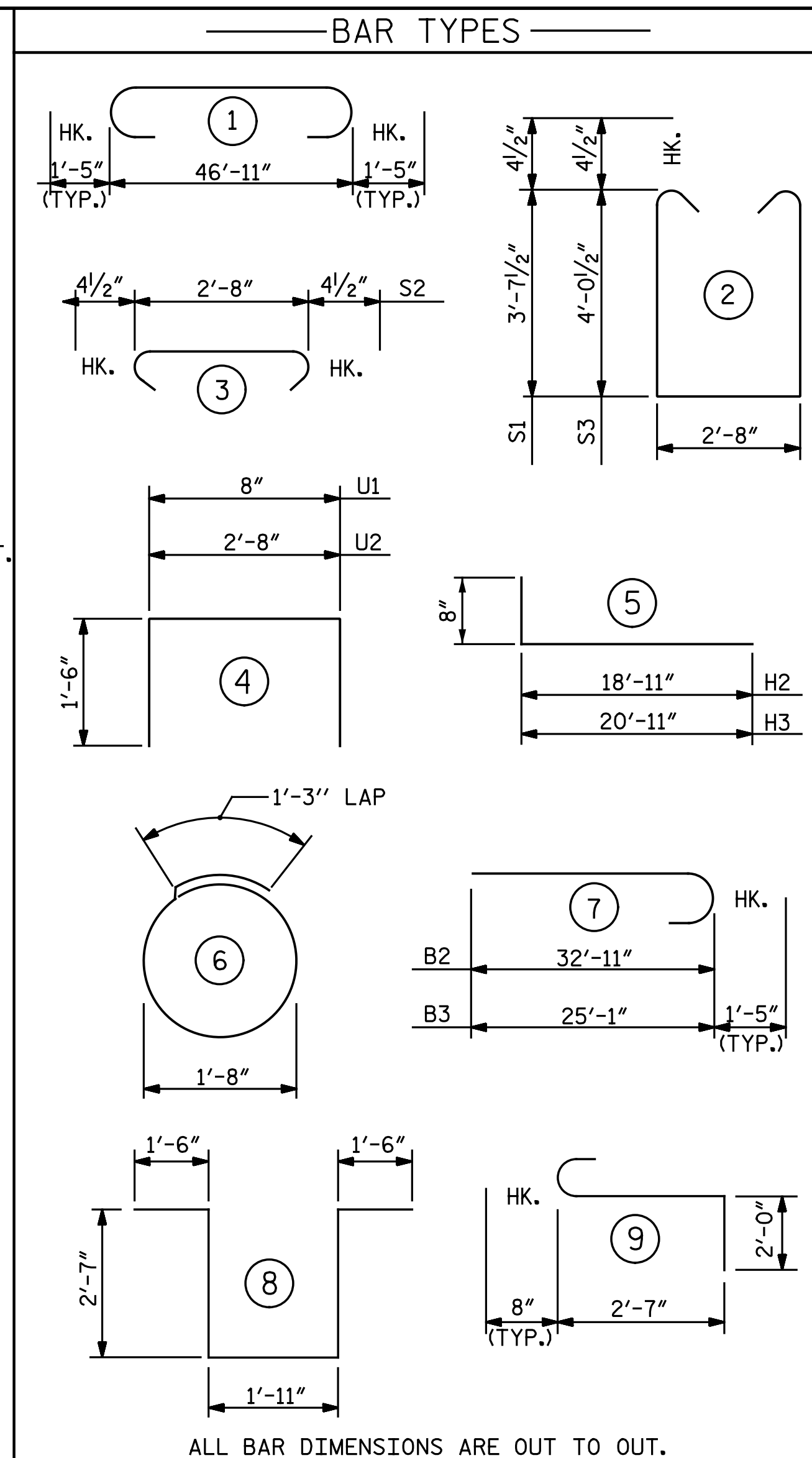


BAGGED STONE AND PIPE SHALL BE PLACED IMMEDIATELY AFTER COMPLETION OF END BENT EXCAVATION. PIPE MAY BE EITHER CONCRETE, CORRUGATED STEEL, CORRUGATED ALUMINUM ALLOY, OR CORRUGATED PLASTIC. PERFORATED PIPE WILL NOT BE ALLOWED.

BAGGED STONE SHALL REMAIN IN PLACE UNTIL THE ENGINEER DIRECTS THAT IT BE REMOVED. THE CONTRACTOR SHALL REMOVE AND DISPOSE OF SILT ACCUMULATIONS AT BAGGED STONE WHEN SO DIRECTED BY THE ENGINEER. BAGS SHALL BE REMOVED AND REPLACED WHENEVER THE ENGINEER DETERMINES THAT THEY HAVE DETERIORATED AND LOST THEIR EFFECTIVENESS.

NO SEPARATE PAYMENT WILL BE MADE FOR THIS WORK AND THE ENTIRE COST OF THIS WORK SHALL BE INCLUDED IN THE UNIT CONTRACT PRICE BID FOR THE SEVERAL PAY ITEMS.

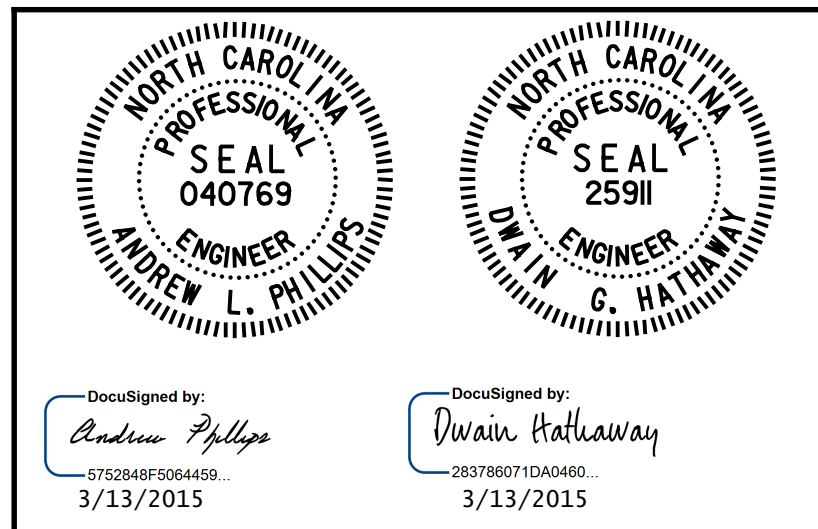
TEMPORARY DRAINAGE AT END BENT



ALL BAR DIMENSIONS ARE OUT TO OUT.

BILL OF MATERIAL					
END BENT I					
BAR NO.	NO.	SIZE	TYPE	LENGTH	WEIGHT
B1	6	10	1	49' - 9"	1,284
B2	6	10	7	34' - 4"	886
B3	6	10	7	26' - 6"	684
B4	8	4	STR	24' - 8"	132
B5	17	4	STR	2' - 8"	30
B6	12	4	STR	3' - 3"	26
B7	6	4	STR	7' - 7"	30
B8	6	5	STR	46' - 11"	294
H1	8	4	STR	2' - 7"	14
H2	24	4	5	19' - 7"	314
H3	32	4	5	21' - 7"	461
K1	20	4	STR	24' - 8"	330
S1	33	4	2	10' - 8"	235
S2	70	4	3	3' - 5"	160
S3	37	4	2	11' - 6"	284
S4	28	4	6	6' - 6"	122
S5	6	6	8	10' - 1"	91
S6	6	6	9	5' - 3"	47
U1	42	4	4	3' - 8"	103
U2	12	4	4	5' - 8"	45
V1	84	5	STR	8' - 3"	723
V2	46	5	STR	9' - 8"	464
V3	50	5	STR	10' - 7"	552
REINFORCING STEEL				LBS.	7,311
CLASS "A" CONCRETE BREAKDOWN					
POUR #1 - CAP & LOWER WING WALLS				C.Y.	30.1
POUR #2 - BACKWALL & UPPER WING WALLS				C.Y.	18.1
TOTAL CLASS "A" CONCRETE				C.Y.	48.2
12" PRESTRESSED CONCRETE PILES NO. 9				LIN. FT.	450
PILE REDRIVES				EA.	4

PROJECT NO. R-2514D
 JONES COUNTY
 STATION: 389+47.50 -L-
 SHEET 3 OF 3



STATE OF NORTH CAROLINA
 DEPARTMENT OF TRANSPORTATION
 RALEIGH
 SUBSTRUCTURE
 END BENT I DETAILS
 LEFT LANE

REVISIONS					
NO.	BY:	DATE:	NO.	BY:	DATE:
1			3		
2			4		

DocuSigned by:
 Andrew Phillips
 5752848F5084459...
 3/13/2015

DocuSigned by:
 Dwan Hathaway
 283786071DA0460...
 3/13/2015

Baker
 Michael Baker Engineering
 8000 Regency Parkway, Suite 600
 Cary, North Carolina 27518
 NC License No.: F-1084

DWG. 35 OF 68

SITE 4

nbspeaks 4:12:08 PM 3/5/2015
 File Name: Y:\Projects\NCDOT\R-2514D\Site 4\Drawings\Left\Final\407_035_R2514D_SML_EB1_03.dgn

DRAWN BY: N. B. SPEAKS DATE: 2-12-14
 CHECKED BY: A. M. HOUSTON DATE: 2-14-14

SHEET NO. S07-35
 TOTAL SHEETS 68