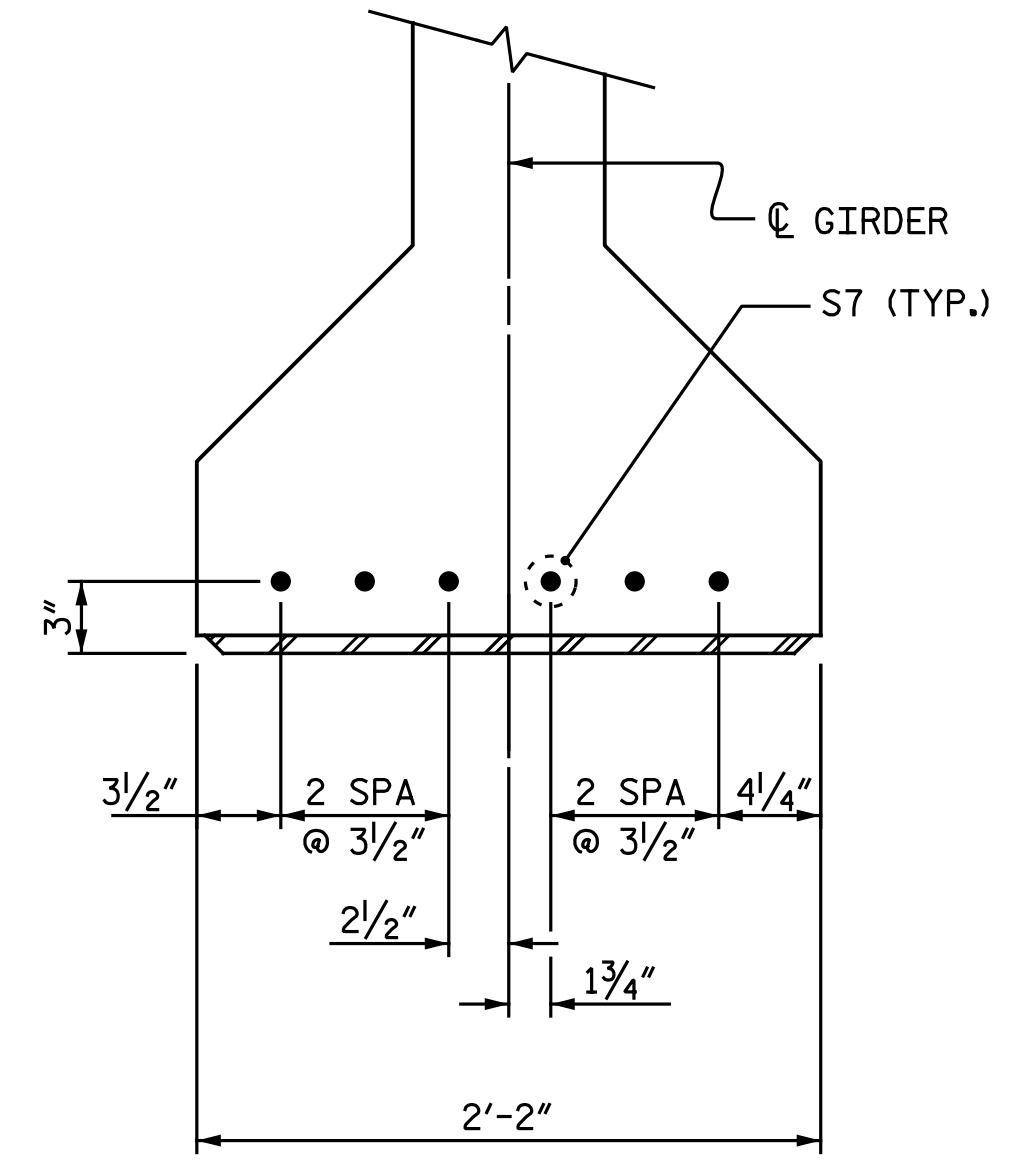


**EMBEDDED PLATE "B-1" DETAILS  
FOR AASHTO TYPE IV GIRDER**  
(2 REQ'D PER GIRDER)



**DETAIL A**

**NOTES:**

ALL PRESTRESSING STRANDS SHALL BE 7-WIRE LOW-RELAXATION GRADE 270 STRANDS AND SHALL CONFORM TO AASHTO M203 EXCEPT FOR SAMPLING REQUIREMENTS WHICH SHALL BE IN ACCORDANCE WITH THE STANDARD SPECIFICATIONS.

ALL REINFORCING STEEL SHALL BE GRADE 60.

APPLY EPOXY PROTECTIVE COATING TO END OF GIRDER SURFACES INDICATED IN ELEVATION VIEW.

EMBEDDED PLATE "B-1" SHALL BE GALVANIZED IN ACCORDANCE WITH THE STANDARD SPECIFICATIONS.

ANCHOR STUDS SHALL CONFORM TO AASHTO M169 GRADES 1010 THROUGH 1020 OR APPROVED EQUAL, AND SHALL MEET THE TYPE "B" REQUIREMENTS OF SUBSECTION 7.3 OF THE ANSI/AASHTO/AWS D1.5 BRIDGE WELDING CODE.

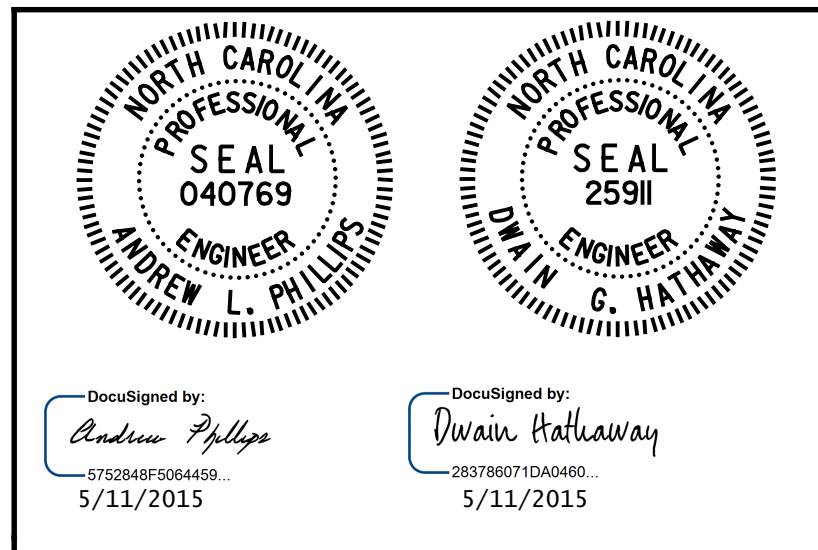
AT ENDS OF GIRDERS TO BE EMBEDDED IN CONCRETE DIAPHRAGMS OR END WALLS, PRESTRESSING STRANDS MAY EXTEND A MAXIMUM OF 2" BEYOND THE GIRDER ENDS. OTHERWISE, PRESTRESSING STRANDS SHALL BE CUT FLUSH WITH THE GIRDER ENDS.

THE TRANSFER OF LOAD FROM THE ANCHORAGES TO THE GIRDER SHALL BE DONE WHEN CONCRETE HAS REACHED A COMPRESSIVE STRENGTH OF NOT LESS THAN 6,000 PSI.

DEPENDING ON THE TYPE OF SYSTEM USED TO SUPPORT THE DECK SLAB FORMS, PRESET ANCHORS MAY BE NECESSARY IN THE PRESTRESSED CONCRETE GIRDER.

THE TOP SURFACE OF THE GIRDER, EXCLUDING THE OUTSIDE 4", SHALL BE RAKED TO A DEPTH OF 1/4".

PROJECT NO. R-2514D  
JONES COUNTY  
STATION: 389+47.50 -L-  
SHEET 4 OF 5



STATE OF NORTH CAROLINA  
DEPARTMENT OF TRANSPORTATION  
RALEIGH  
SUPERSTRUCTURE  
AASHTO TYPE IV  
PRESTRESSED CONCRETE GIRDER  
CONTINUOUS FOR LIVE LOAD  
LEFT LANE

REVISIONS						SHEET NO.
NO.	BY:	DATE:	NO.	BY:	DATE:	S07-19
1			3			TOTAL SHEETS
2			4			68

**Baker**  
Michael Baker Engineering  
8000 Regency Parkway, Suite 600  
Cary, North Carolina 27518  
NC License No.: F-1084

Justin 3:11:17 PM 5/8/2015 File name: Y:\Projects\NCDOT\R-2514D\Site 4\Drawings\Left\Final\407\_019\_R2514D\_SMLL.G04.dgn

DRAWN BY : N. B. SPEAKS DATE : 8-6-13  
CHECKED BY : A. L. PHILLIPS DATE : 8-7-13